

PCB LAYOUT - COMPONENT VIEW

TECHNICAL CHARACTERISTICS

MATERIAL  
 INSULATOR: PBT  
 FLAMABILITY RATING: UL94-V0  
 COLOR: BLACK  
 CONTACT MATERIAL: COPPER ALLOY  
 CONTACT TYPE: STAMPED  
 CONTACT PLATING: GOLD  
 QUALITY CLASS: 3 AS PER CECC 75 301-802  
 PITCH: 2.54MM

ENVIRONMENTAL  
 OPERATING TEMPERATURE: -40 UP TO 125°C  
 COMPLIANCE: LEAD FREE AND ROHS


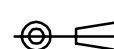
ELECTRICAL  
 CURRENT RATING: 3A  
 WORKING VOLTAGE: 250V AC  
 INSULATOR RESISTANCE: >1000 MOHM  
 DIELECTRIC WITHSTANDING VOLTAGE: 500V AC/MN  
 CONTACT RESISTANCE: 20 mOHM MAX

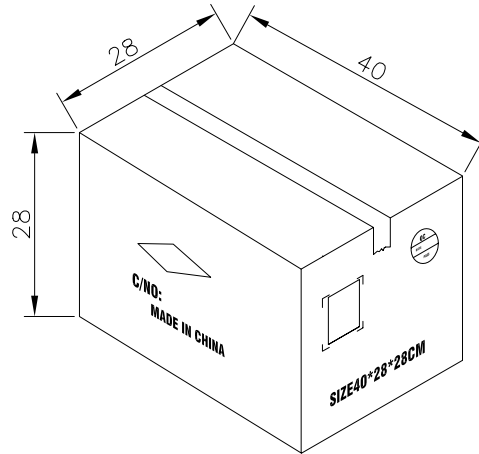
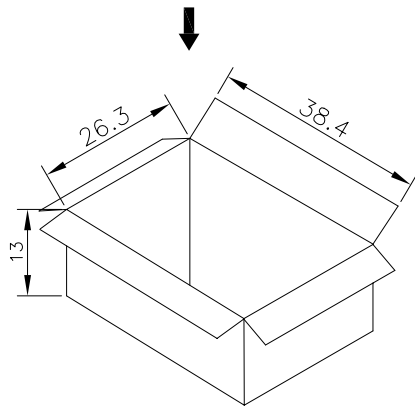
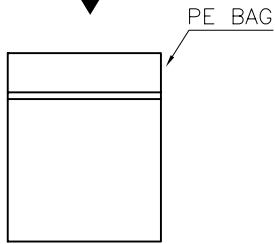
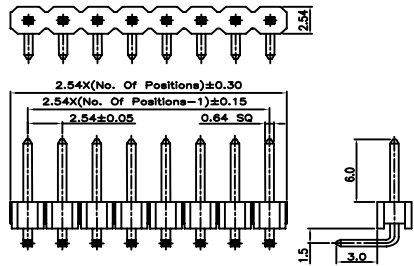
STANDARD  
 CERTIFIED: E323964 / MODEL NUMBER 613-110

SOLDERING  
 WAVE PROCESS ONLY

PACKAGING  
 BAG

DIMENSION  
 A = 2.54 x (NB. PIN - 1)  
 B = 2.54x (NB. POSITIONS)

RoHS Compliant				PROJECTION:	GENERAL TOLERANCE		DESCRIPTION: 2.54MM ANGLED PIN HEADER WERI PART NO: 613 0xx 110 21	SIZE <b>A4</b>
				.X = +/- 0.2 .XX = +/- 0.15				
			APPROVAL: RJ	UNIT: MM				
H	14-SEP-10	DIMENSION	GG	SCALE:				
REV	DATE	FILE	BY	SHEET: 1/2				
				DRAW: PEARL				



CARTON

Note:

1.Dimension

Inner Carton Size:38.4\*26.3\*13(CM)

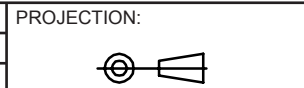
Carton Size:40\*28\*28(CM)

2.Quantity:

2 Inner Carton/Carton

Pin	Pcs/Bag	Pcs/Inner Carton	Pcs/Carton	Pin	Pcs/Bag	Pcs/Inner Carton	Pcs/Carton
2	2000	30000	60000	22	200	4000	8000
3	2000	30000	60000	23	200	4000	8000
4	2000	30000	60000	24	200	4000	8000
5	1000	13000	26000	25	200	4000	8000
6	1000	13000	26000	26	200	4000	8000
7	1000	13000	26000	27	200	4000	8000
8	1000	13000	26000	28	200	4000	8000
9	1000	13000	26000	29	200	4000	8000
10	500	6000	12000	30	200	4000	8000
11	500	6000	12000	31	200	4000	8000
12	500	6000	12000	32	200	4000	8000
13	500	6000	12000	33	200	4000	8000
14	500	6000	12000	34	200	4000	8000
15	500	6000	12000	35	200	4000	8000
16	500	6000	12000	36	200	4000	8000
17	500	6000	12000	37	200	4000	8000
18	200	4000	8000	38	200	4000	8000
19	200	4000	8000	39	200	4000	8000
20	200	4000	8000	40	200	4000	8000
21	200	4000	8000				

RoHS Compliant			
G			
F			
E			
D			
C			
B			
A			
REV	DATE	FILE	BY



GENERAL TOLERANCE  
.X = +/- 0.2  
.XX = +/- 0.15



APPROVAL: RJ

UNIT: MM  
SCALE:  
SHEET: 2/2  
DRAW: PEARL

DESCRIPTION: 2.54MM ANGLED PIN HEADER  
WERI PART NO: 6130 xx 11021

SIZE  
**A4**