

STRAIGHT STANDARD HEADERS WITH AND WITHOUT RETAINER/EJECTOR LATCHES

.100" x .100" CENTERS



LR92984 E60980

PHYSICAL PROPERTIES

INSULATION MATERIAL: Glass filled thermoplastic rated UL 94V-0
 COLOR: Blue
 CONTACT MATERIAL: Phosphor bronze with 30µ inches min. gold over 50µ inches min. nickel plating

ELECTRICAL PROPERTIES

CURRENT RATING: 1 Amp
 INSULATION RESISTANCE: >1 x 10⁹ Ohms @500 VDC
 DIELECTRIC STRENGTH: >1000 VRMS @ sea level

ENVIRONMENTAL PROPERTIES

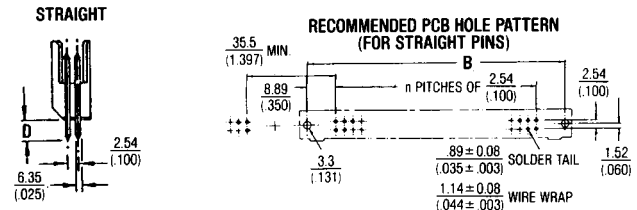
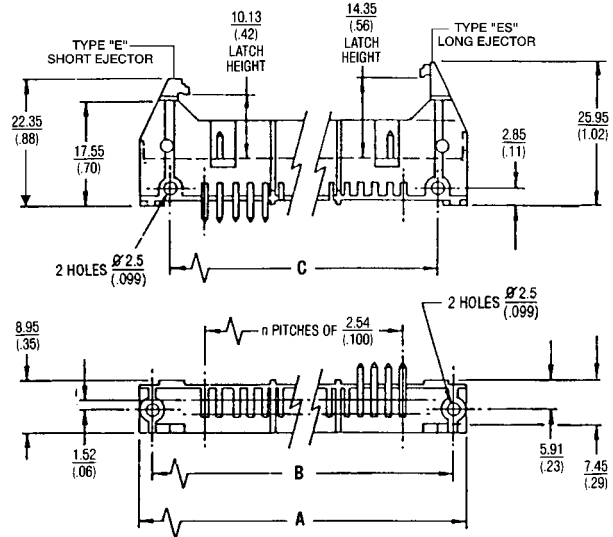
TEMPERATURE RATING: -55°C TO 125°C

MATING CONNECTORS

FEMALE SOCKETS: See pages 9-12

ACCESSORIES

POLARIZING KEY: See page 44



Ordering Information

PCB 1.57MM (.062) D=2.9MM (.114) STRAIGHT	CATALOG NUMBERS		WIREWRAP D=15.5MM (.610) STRAIGHT	NO. OF POS.	DIMENSIONS IN MM (INCHES)		
	PCB 3.18 MM (.125) D=4.48MM (.176) STRAIGHT				A	B	C
609-0624	609-0634	609-0654	6	27.05 (1.07)	22.86 (.90)	16.76 (.66)	
609-1024	609-1034	609-1054	10	32.13 (1.26)	27.94 (1.10)	21.64 (.85)	
609-1224	609-1234	609-1254	12	34.64 (1.36)	30.48 (1.20)	24.38 (.96)	
609-1424	609-1434	609-1454	14	37.21 (1.46)	33.02 (1.30)	26.92 (1.06)	
609-1624	609-1634	609-1654	16	39.75 (1.56)	35.56 (1.40)	29.46 (1.16)	
609-2024	609-2034	609-2054	20	44.83 (1.76)	40.64 (1.60)	34.54 (1.36)	
609-2424	609-2434	609-2454	24	49.88 (1.96)	45.72 (1.80)	39.62 (1.56)	
609-2624	609-2634	609-2654	26	52.45 (2.06)	48.26 (1.90)	42.16 (1.66)	
609-3024	609-3034	609-3054	30	57.50 (2.26)	53.34 (2.10)	47.26 (1.86)	
609-3424	609-3434	609-3454	34	62.61 (2.46)	58.42 (2.30)	52.32 (2.06)	
609 3624	609-3634	609-3654	36	65.12 (2.56)	60.96 (2.40)	54.86 (2.16)	
609-4024	609-4034	609-4054	40	70.23 (2.76)	66.04 (2.60)	59.94 (2.36)	
609-4424	609-4434	609-4454	44	75.31 (2.96)	71.12 (2.80)	65.02 (2.56)	
609-5024	609-5034	609-5054	50	82.93 (3.26)	78.74 (3.10)	72.64 (2.86)	
609-6024	609-6034	609-6054	60	95.63 (3.76)	91.44 (3.60)	85.35 (3.36)	
609-6424	609-6434	609-6454	64	100.71 (3.96)	96.52 (3.80)	90.42 (3.56)	

For long ejectors, add suffix ES (609-XXXXES). For short ejectors, add suffix E (609-XXXXE)
 Add "R" to part number for PCB retention feature.

RIGHT ANGLE STANDARD HEADERS WITH AND WITHOUT RETAINER/EJECTOR LATCHES

.100" x .100" CENTERS



LR92984 E60980

PHYSICAL PROPERTIES

INSULATION MATERIAL: Glass filled thermoplastic rated UL 94V-0

COLOR: Blue

CONTACT MATERIAL: Phosphor bronze with 30µ inches min. gold over 50µ inches min. nickel plating

ELECTRICAL PROPERTIES

CURRENT RATING: 1 Amp

INSULATION RESISTANCE: >1 x 10⁹ Ohms @500 VDC

DIELECTRIC STRENGTH: >1000 VRMS @ sea level

ENVIRONMENTAL PROPERTIES

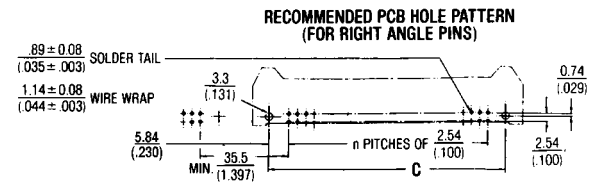
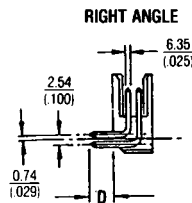
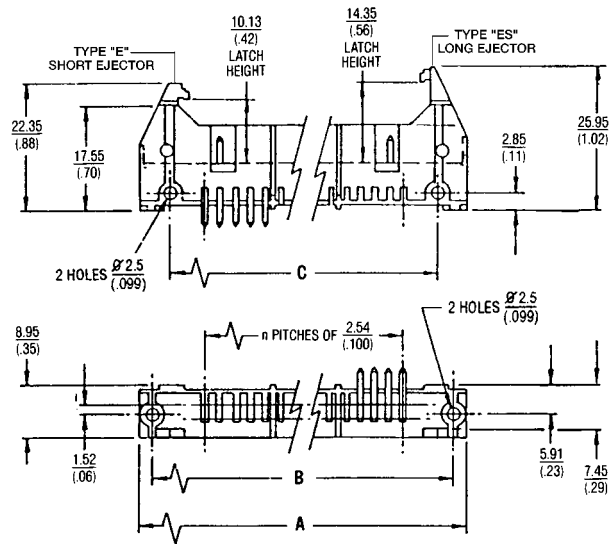
TEMPERATURE RATING: -55°C TO 125°C

MATING CONNECTORS

FEMALE SOCKETS: See pages 9-12

ACCESSORIES

POLARIZING KEY: See page 44



Ordering Information

PCB 1.57MM (.062) D=2.9MM (.114) RIGHT ANGLE	CATALOG NUMBERS		NO. OF POS.	DIMENSIONS IN MM (INCHES)		
	PCB 3.18 MM (.125) D=4.48MM (.176) RIGHT ANGLE	WIREWRAP D=15.5MM (.610) RIGHT ANGLE		A	B	C
609-0604	609-0614	609-0644	6	27.05 (1.07)	22.86 (.90)	16.76 (.66)
609-1004	609-1014	609-1044	10	32.13 (1.26)	27.94 (1.10)	21.64 (.85)
609-1204	609-1214	609-1244	12	34.64 (1.36)	30.48 (1.20)	24.38 (.96)
609-1404	609-1414	609-1444	14	37.21 (1.46)	33.02 (1.30)	26.92 (1.06)
609-1604	609-1614	609-1644	16	39.75 (1.56)	35.56 (1.40)	29.46 (1.16)
609-2004	609-2014	609-2044	20	44.83 (1.76)	40.64 (1.60)	34.54 (1.36)
609-2404	609-2414	609-2444	24	49.88 (1.96)	45.72 (1.80)	39.62 (1.56)
609-2604	609-2614	609-2644	26	52.45 (2.06)	48.26 (1.90)	42.16 (1.66)
609-3004	609-3014	609-3044	30	57.50 (2.26)	53.34 (2.10)	47.26 (1.86)
609-3404	609-3414	609-3444	34	62.61 (2.46)	58.42 (2.30)	52.32 (2.06)
609-3604	609-3614	609-3644	36	65.12 (2.56)	60.96 (2.40)	54.86 (2.16)
609-4004	609-4014	609-4044	40	70.23 (2.76)	66.04 (2.60)	59.94 (2.36)
609-4404	609-4414	609-4444	44	75.31 (2.96)	71.12 (2.80)	65.02 (2.56)
609-5004	609-5014	609-5044	50	82.93 (3.26)	78.74 (3.10)	72.64 (2.86)
609-6004	609-6014	609-6044	60	95.63 (3.76)	91.44 (3.60)	85.35 (3.36)
609-6404	609-6414	609-6444	64	100.71 (3.96)	96.52 (3.80)	90.42 (3.56)

For long ejectors, add suffix ES (609-XXXXES). For short ejectors, add suffix E (609-XXXXE)
 Add "R" to part number for PCB retention feature.

HIGH TEMPERATURE STRAIGHT STANDARD HEADERS WITH AND WITHOUT RETAINER/EJECTOR LATCHES

.100" x .100" CENTERS



PHYSICAL PROPERTIES

INSULATION MATERIAL: Glass filled thermoplastic rated UL 94V-0, Infrared and vapor phase process compatible
 COLOR: Black
 CONTACT MATERIAL: Phosphor bronze with 30µ inches min. gold over 50µ inches min. nickel plating

ELECTRICAL PROPERTIES

CURRENT RATING: 1 Amp
 INSULATION RESISTANCE: >1 x 10⁹ Ohms @500 VDC
 DIELECTRIC STRENGTH: >1000 VRMS @ sea level

ENVIRONMENTAL PROPERTIES

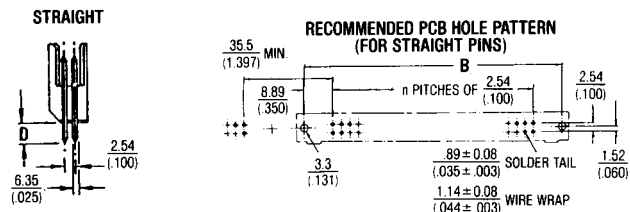
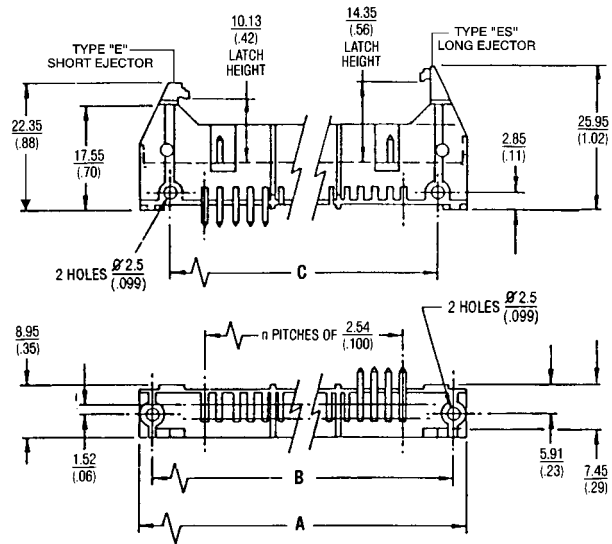
TEMPERATURE RATING: -55°C TO 125°C

MATING CONNECTORS

FEMALE SOCKETS: See pages 9-12

ACCESSORIES

POLARIZING KEY: See page 44



Ordering Information

PCB 1.57MM (.062) D=2.9MM (.114) STRAIGHT	CATALOG NUMBERS PCB 3.18 MM (.125) D=4.48MM (.176) STRAIGHT	WIREWRAP D=15.5MM (.610) STRAIGHT	NO. OF POS.	DIMENSIONS IN MM (INCHES)		
				A	B	C
609-0624**HT	609-0634**HT	609-0654**HT	6	27.05 (1.07)	22.86 (.90)	16.76 (.66)
609-1024**HT	609-1034**HT	609-1054**HT	10	32.13 (1.26)	27.94 (1.10)	21.64 (.85)
609-1224**HT	609-1234**HT	609-1254**HT	12	34.64 (1.36)	30.48 (1.20)	24.38 (.96)
609-1424**HT	609-1434**HT	609-1454**HT	14	37.21 (1.46)	33.02 (1.30)	26.92 (1.06)
609-1624**HT	609-1634**HT	609-1654**HT	16	39.75 (1.56)	35.56 (1.40)	29.46 (1.16)
609-2024**HT	609-2034**HT	609-2054**HT	20	44.83 (1.76)	40.64 (1.60)	34.54 (1.36)
609-2424**HT	609-2434**HT	609-2454**HT	24	49.88 (1.96)	45.72 (1.80)	39.62 (1.56)
609-2624**HT	609-2634**HT	609-2654**HT	26	52.45 (2.06)	48.26 (1.90)	42.16 (1.66)
609-3024**HT	609-3034**HT	609-3054**HT	30	57.50 (2.26)	53.34 (2.10)	47.26 (1.86)
609-3424**HT	609-3434**HT	609-3454**HT	34	62.61 (2.46)	58.42 (2.30)	52.32 (2.06)
609-3624**HT	609-3634**HT	609-3654**HT	36	65.12 (2.56)	60.96 (2.40)	54.86 (2.16)
609-4024**HT	609-4034**HT	609-4054**HT	40	70.23 (2.76)	66.04 (2.60)	59.94 (2.36)
609-4424**HT	609-4434**HT	609-4454**HT	44	75.31 (2.96)	71.12 (2.80)	65.02 (2.56)
609-5024**HT	609-5034**HT	609-5054**HT	50	82.93 (3.26)	78.74 (3.10)	72.64 (2.86)
609-6024**HT	609-6034**HT	609-6054**HT	60	95.63 (3.76)	91.44 (3.60)	85.35 (3.36)
609-6424**HT	609-6434**HT	609-6454**HT	64	100.71 (3.96)	96.52 (3.80)	90.42 (3.56)

** For long ejectors, add ES (609-XXXXESHT). For short ejectors, add E (609-XXXXEHT)
 Add "R" suffix to part number for PCB retention feature.

HIGH TEMPERATURE RIGHT ANGLE STANDARD HEADERS WITH AND WITHOUT RETAINER/EJECTOR LATCHES

.100" x .100" CENTERS



PHYSICAL PROPERTIES

INSULATION MATERIAL: Glass filled thermoplastic rated UL 94V-0, Infrared and vapor phase process compatible
 COLOR: Black
 CONTACT MATERIAL: Phosphor bronze with 30µ inches min. gold over 50µ inches min. nickel plating

ELECTRICAL PROPERTIES

CURRENT RATING: 1 Amp
 INSULATION RESISTANCE: >1 x 10⁹ Ohms @500 VDC
 DIELECTRIC STRENGTH: >1000 VRMS @ sea level

ENVIRONMENTAL PROPERTIES

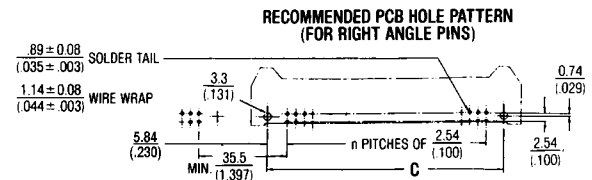
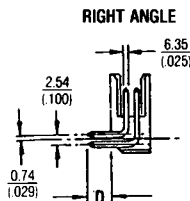
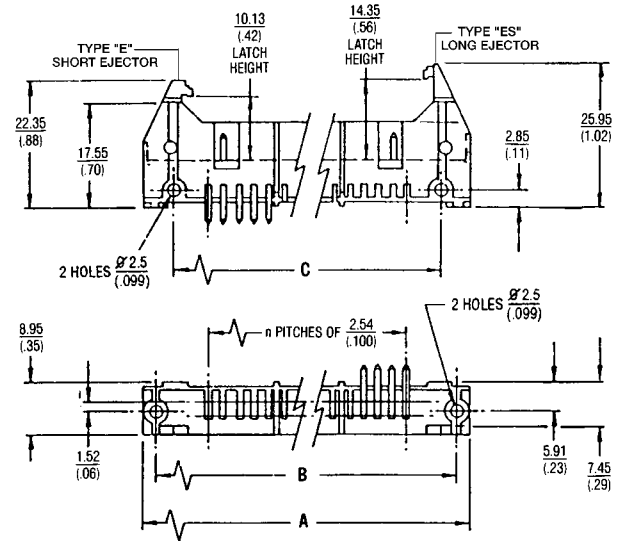
TEMPERATURE RATING: -55°C TO 125°C

MATING CONNECTORS

FEMALE SOCKETS: See pages 9-12

ACCESSORIES

POLARIZING KEY: See page 44



Ordering Information

PCB 1.57MM (.062) D=2.9MM (.114) RIGHT ANGLE	CATALOG NUMBERS		NO. OF POS.	DIMENSIONS IN MM (INCHES)		
	PCB 3.18 MM (.125) D=4.48MM (.176) RIGHT ANGLE	WIREWRAP D=15.5MM (.610) RIGHT ANGLE		A	B	C
609-0604**HT	609-0614**HT	609-0644**HT	6	27.05 (1.07)	22.86 (.90)	16.76 (.66)
609-1004**HT	609-1014**HT	609-1044**HT	10	32.13 (1.26)	27.94 (1.10)	21.64 (.85)
609-1204**HT	609-1214**HT	609-1244**HT	12	34.64 (1.36)	30.48 (1.20)	24.38 (.96)
609-1404**HT	609-1414**HT	609-1444**HT	14	37.21 (1.46)	33.02 (1.30)	26.92 (1.06)
609-1604**HT	609-1614**HT	609-1644**HT	16	39.75 (1.56)	35.56 (1.40)	29.46 (1.16)
609-2004**HT	609-2014**HT	609-2044**HT	20	44.83 (1.76)	40.64 (1.60)	34.54 (1.36)
609-2404**HT	609-2414**HT	609-2444**HT	24	49.88 (1.96)	45.72 (1.80)	39.62 (1.56)
609-2604**HT	609-2614**HT	609-2644**HT	26	52.45 (2.06)	48.26 (1.90)	42.16 (1.66)
609-3004**HT	609-3014**HT	609-3044**HT	30	57.50 (2.26)	53.34 (2.10)	47.26 (1.86)
609-3404**HT	609-3414**HT	609-3444**HT	34	62.61 (2.46)	58.42 (2.30)	52.32 (2.06)
609-3604**HT	609-3614**HT	609-3644**HT	36	65.12 (2.56)	60.96 (2.40)	54.86 (2.16)
609-4004**HT	609-4014**HT	609-4044**HT	40	70.23 (2.76)	66.04 (2.60)	59.94 (2.36)
609-4404**HT	609-4414**HT	609-4444**HT	44	75.31 (2.96)	71.12 (2.80)	65.02 (2.56)
609-5004**HT	609-5014**HT	609-5044**HT	50	82.93 (3.26)	78.74 (3.10)	72.64 (2.86)
609-6004**HT	609-6014**HT	609-6044**HT	60	95.63 (3.76)	91.44 (3.60)	85.35 (3.36)
609-6404**HT	609-6414**HT	609-6444**HT	64	100.71 (3.96)	96.52 (3.80)	90.42 (3.56)

** For long ejectors, add ES (609-XXXXESHT). For short ejectors, add E (609-XXXXEHT)
 Add "R" suffix to part number for PCB retention feature.

LOW PROFILE HEADERS WITH VERTICAL RETAINER/EJECTOR LATCHES, STRAIGHT PINS

.100" x .100" CENTERS



LR92984 E60980

PHYSICAL PROPERTIES

INSULATION MATERIAL: Glass filled thermoplastic rated UL 94V-0

COLOR: Blue

CONTACT MATERIAL: Phosphor bronze with 30μ inches min. gold over 50μ inches min. nickel plating

ELECTRICAL PROPERTIES

CURRENT RATING: 1 Amp

INSULATION RESISTANCE: >1 x 10⁹ Ohms @ 500 VDC

DIELECTRIC STRENGTH: >1000 VRMS @ sea level

ENVIRONMENTAL PROPERTIES

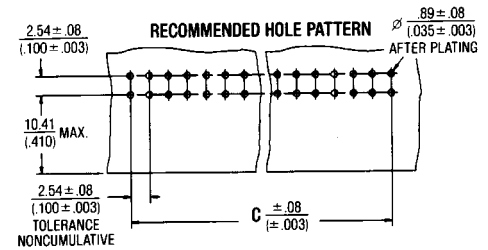
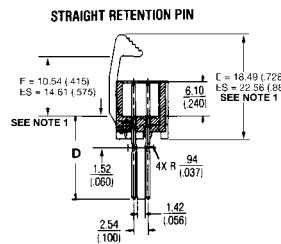
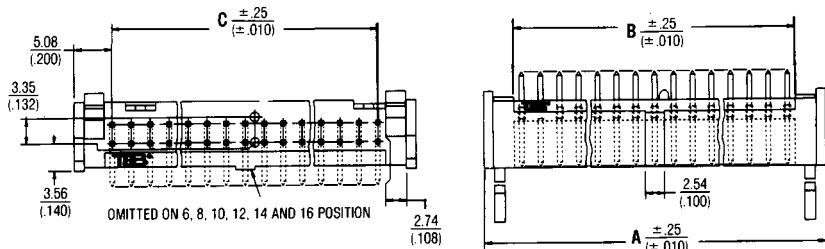
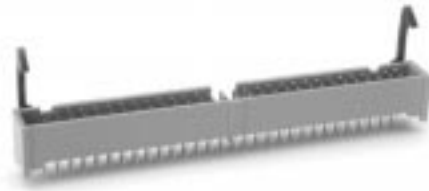
TEMPERATURE RATING: -55°C TO 125°C

MATING CONNECTOR

FEMALE SOCKETS: See pages 9-12

ACCESSORIES

POLARIZING KEY: See page 44



Ordering Information

CATALOG NUMBERS		NO. OF POS.	DIMENSIONS IN MM (INCHES)		
DIMENSION "D" IN MM (INCHES)			A	B	C
2.59 (.102)	4.19 (.165)				
FOR 1.57 (.062)	FOR 3.18 (.125)				
P.C. BOARDS	P.C. BOARDS				
501-0627XX	501-0637XX	6	15.24 (.600)	7.11 (.280)	5.08 (.200)
501-1027XX	501-1037XX	10	20.32 (.800)	12.19 (.480)	10.16 (.400)
501-1227XX	501-1237XX	12	22.86 (.900)	14.73 (.580)	12.70 (.500)
501-1427XX	501-1437XX	14	25.40 (1.000)	17.27 (.680)	15.24 (.600)
501-1627XX	501-1637XX	16	27.94 (1.100)	19.81 (.780)	17.78 (.700)
501-2027XX	501-2037XX	20	33.02 (1.300)	24.89 (.980)	22.86 (.900)
501-2427XX	501-2437XX	24	38.10 (1.500)	29.97 (1.180)	27.94 (1.100)
501-2627XX	501-2637XX	26	40.64 (1.600)	32.51 (1.280)	30.48 (1.200)
501-3027XX	501-3037XX	30	45.72 (1.800)	37.59 (1.480)	35.56 (1.400)
501-3427XX	501-3437XX	34	50.80 (2.000)	42.67 (1.680)	40.64 (1.600)
501-3627XX	501-3637XX	36	53.34 (2.100)	45.21 (1.780)	43.18 (1.700)
501-4027XX	501-4037XX	40	58.42 (2.300)	50.29 (1.980)	48.26 (1.900)
501-4427XX	501-4437XX	44	63.50 (2.500)	55.37 (2.180)	53.34 (2.100)
501-5037XX	501-5037XX	50	71.12 (2.800)	62.99 (2.480)	60.96 (2.400)
501-6027XX	501-6037XX	60	83.82 (3.300)	75.69 (2.980)	73.66 (2.900)
501-6427XX	501-6437XX	64	88.90 (3.500)	80.77 (3.180)	78.74 (3.100)

1. For long ejectors, add suffix ES (-XXXXES). For short ejectors, add suffix E (-XXXXE)
2. Add "R" to part number for PCB retention feature.

LOW PROFILE HEADERS WITH VERTICAL RETAINER/EJECTOR LATCHES, RIGHT ANGLE PINS

.100" x .100" CENTERS



LR92984 E60980

PHYSICAL PROPERTIES

INSULATION MATERIAL: Glass filled thermoplastic
rated UL 94V-0

COLOR: Blue

CONTACT MATERIAL: Phosphor bronze with 30µ inches
min. gold over 50µ inches min. nickel plating

ELECTRICAL PROPERTIES

CURRENT RATING: 1 Amp

INSULATION RESISTANCE: >1 x 10⁹ Ohms @ 500 VDC

DIELECTRIC STRENGTH: >1000 VRMS @ sea level

ENVIRONMENTAL PROPERTIES

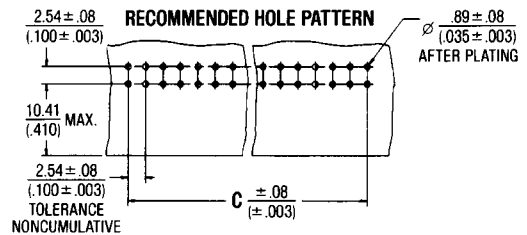
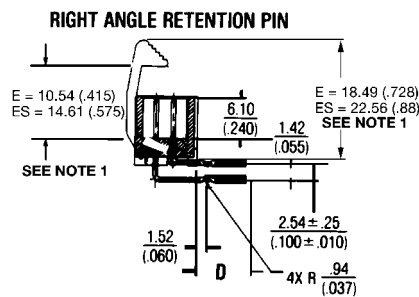
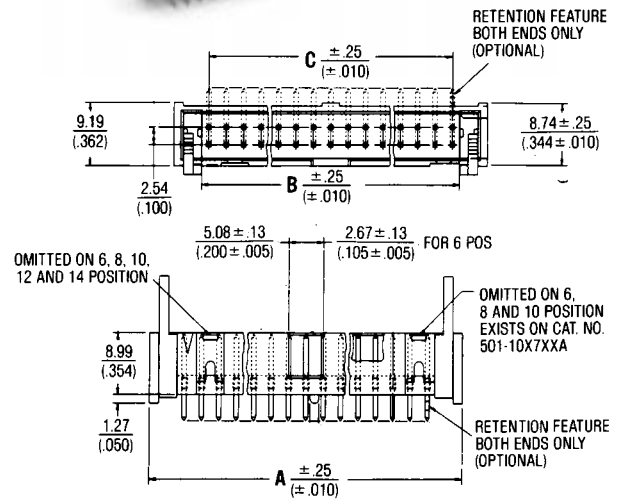
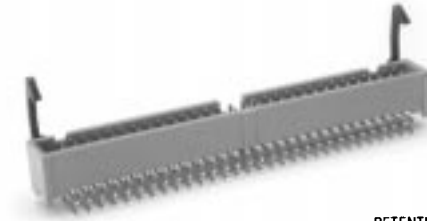
TEMPERATURE RATING: -55°C TO 125°C

MATING CONNECTORS

FEMALE SOCKETS: See pages 9-12

ACCESSORIES

POLARIZING KEY: See page 44



Ordering Information

CATALOG NUMBERS		NO. OF POS.	DIMENSIONS IN MM (INCHES)		
DIMENSION "D" IN MM (INCHES)			A	B	C
2.59 (.102)	4.19 (.165)				
FOR 1.57 (.062)	FOR 3.18 (.125)				
P.C. BOARDS	P.C. BOARDS				
501-0607XX	501-0617XX	6	15.24 (.600)	7.11 (.280)	5.08 (.200)
501-1007XX	501-1017XX	10	20.32 (.800)	12.19 (.480)	10.16 (.400)
501-1207XX	501-1217XX	12	22.86 (.900)	14.73 (.580)	12.70 (.500)
501-1407XX	501-1417XX	14	25.40 (1.000)	17.27 (.680)	15.24 (.600)
501-1607XX	501-1617XX	16	27.94 (1.100)	19.81 (.780)	17.78 (.700)
501-2007XX	501-2017XX	20	33.02 (1.300)	24.89 (.980)	22.86 (.900)
501-2407XX	501-2417XX	24	38.10 (1.500)	29.97 (1.180)	27.94 (1.100)
501-2607XX	501-2617XX	26	40.64 (1.600)	32.51 (1.280)	30.48 (1.200)
501-3007XX	501-3017XX	30	45.72 (1.800)	37.59 (1.480)	35.56 (1.400)
501-3407XX	501-3417XX	34	50.80 (2.000)	42.67 (1.680)	40.64 (1.600)
501-3607XX	501-3617XX	36	53.34 (2.100)	45.21 (1.780)	43.18 (1.700)
501-4007XX	501-4017XX	40	58.42 (2.300)	50.29 (1.980)	48.26 (1.900)
501-4407XX	501-4417XX	44	63.50 (2.500)	55.37 (2.180)	53.34 (2.100)
501-5017XX	501-5017XX	50	71.12 (2.800)	62.99 (2.480)	60.96 (2.400)
501-6007XX	501-6017XX	60	83.82 (3.300)	75.69 (2.980)	73.66 (2.900)
501-6407XX	501-6417XX	64	88.90 (3.500)	80.77 (3.180)	78.74 (3.100)

1. For long ejectors, add suffix ES (-XXXES). For short ejectors, add suffix E (-XXXE)

2. Add "R" to part number for PCB retention feature.

LOW PROFILE BOX HEADERS STRAIGHT PINS

.100" x .100" CENTERS



LR92984 E60980

PHYSICAL PROPERTIES

INSULATION MATERIAL: Glass filled thermoplastic rated UL 94V-0

COLOR: Blue

CONTACT MATERIAL: Phosphor bronze with 30μ inches min. gold over 50μ inches min. nickel plating

ELECTRICAL PROPERTIES

CURRENT RATING: 1 Amp

INSULATION RESISTANCE: >1 x 10⁹ Ohms @ 500 VDC

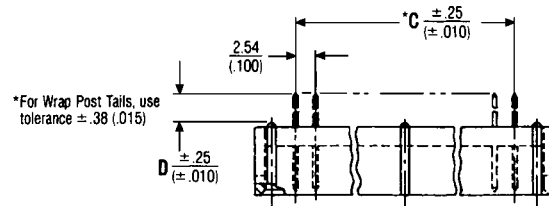
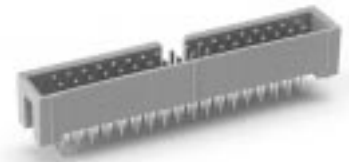
DIELECTRIC STRENGTH: >1000 VRMS @ sea level

ENVIRONMENTAL PROPERTIES

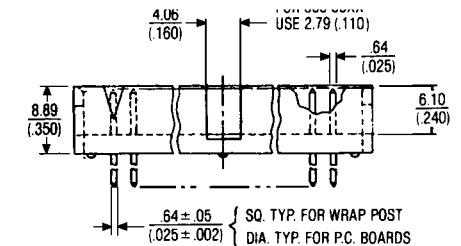
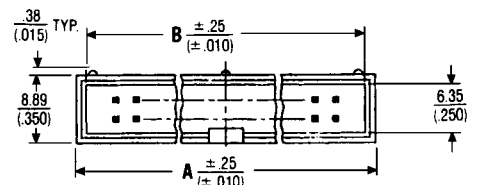
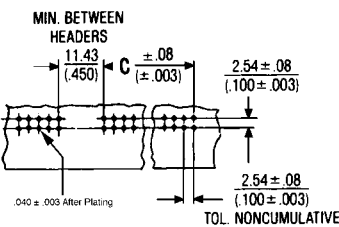
TEMPERATURE RATING: -55°C TO 125°C

MATING CONNECTORS

FEMALE SOCKETS: See pages 9-12



RECOMMENDED HOLE PATTERN



HOLE DIA. ±.08 (±.003) AFTER PLATING	TYPE OF CONTACT
.89 (.035)	PCB Solder Tails
1.14 (.045)	Wrap Post Tails

Ordering Information

CATALOG NUMBERS			NO. OF POS.	DIMENSIONS IN MM (INCHES)		
DIMENSION "D" IN MM (INCHES) 2.59 (.102) FOR 1.57 (.062) P.C. BOARDS	4.19 (.165) FOR 3.18 (.125) P.C. BOARDS	15.49 (.610) WRAP POST TAILS		A	B	C
609-0627	609-0637	609-0657	6	15.24 (.600)	12.70 (.500)	5.80 (.200)
609-0827	609-0837	609-0857	8	17.78 (.700)	15.24 (.600)	7.62 (.300)
609-1027	609-1037	609-1057	10	20.32 (.800)	17.78 (.700)	10.16 (.400)
609-1227	609-1237	609-1257	12	22.86 (.900)	20.32 (.800)	17.70 (.500)
609-1427	609-1437	609-1457	14	25.40 (1.000)	22.86 (.900)	15.24 (.600)
609-1627	609-1637	609-1657	16	27.94 (1.100)	25.40 (1.000)	17.75 (.700)
609-2027	609-2037	609-2057	20	33.02 (1.300)	30.48 (1.200)	22.86 (.900)
609-2427	609-2437	609-2457	24	38.10 (1.500)	35.56 (1.400)	27.94 (1.100)
609-2627	609-2637	609-2657	26	40.64 (1.6001)	38.10 (1.5001)	30.48 (1.2001)
609-3027	609-3037	609-3057	30	45.72 (1.800)	43.18 (1.700)	35.56 (1.400)
609-3427	609-3437	609-3457	34	50.80 (2.000)	48.26 (1.900)	40.64 (1.600)
609-3627	609-3637	609-3657	36	53.34 (2.100)	50.80 (2.000)	43.18 (1.700)
609-4027	609-4037	609-4057	40	58.42 (2.300)	55.88 (2.200)	48.26 (1.900)
609-4427	609-4437	609-4457	44	63.50 (2.500)	60.96 (2.400)	53.34 (2.100)
609-5027	609-5037	609-5057	50	71.12 (2.800)	68.58 (2.700)	60.96 (2.400)
609-5627	609-5637	609-5657	56	78.74 (3.100)	76.20 (3.000)	68.58 (2.700)
609-6027	609-6037	609-6057	60	83.82 (3.300)	81.28 (3.200)	73.66 (2.900)
609-6427	609-6437	609-6457	64	88.90 (3.500)	86.36 (3.400)	78.74 (3.100)

LOW PROFILE BOX HEADERS RIGHT ANGLE PINS

.100" x .100" CENTERS



LR92984 E60980

PHYSICAL PROPERTIES

INSULATION MATERIAL: Glass filled thermoplastic rated UL 94V-0

COLOR: Blue

CONTACT MATERIAL: Phosphor bronze with 30μ inches min. gold over 50μ inches min. nickel plating

ELECTRICAL PROPERTIES

CURRENT RATING: 1 Amp

INSULATION RESISTANCE: >1 x 10⁹ Ohms @ 500 VDC

DIELECTRIC STRENGTH: >1000 VRMS @ sea level

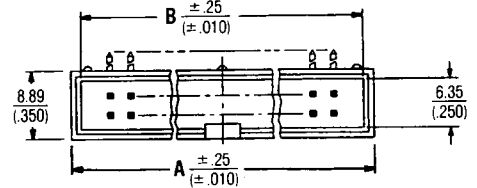
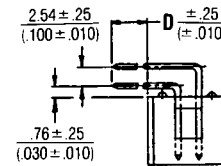
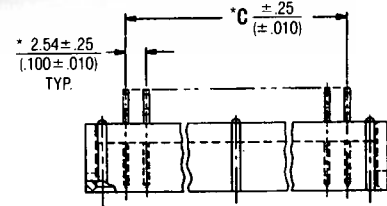
ENVIRONMENTAL PROPERTIES

TEMPERATURE RATING: -55°C To 125°C

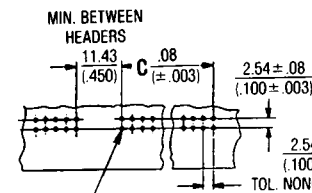
APPLICATION REFLOW TEMPERATURE RATING: -55°C To 125°C

MATING CONNECTORS

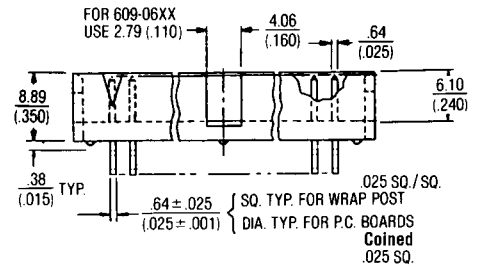
FEMALE SOCKETS: See pages 9-12



RECOMMENDED HOLE PATTERN



HOLE DIA. ±.08 (±.003) AFTER PLATING	TYPE OF CONTACT
.89 (.035)	PCB Solder Tails
1.14 (.045)	Wrap Post Tails



Ordering Information

CATALOG NUMBERS			NO. OF POS.	DIMENSIONS IN MM (INCHES)		
DIMENSION "D" IN MM (INCHES)				A	B	C
2.59 (.102) FOR 1.57 (.062) P.C. BOARDS	4.19 (.165) FOR 3.18 (.125) P.C. BOARDS	15.49 (.610) WRAP POST TAILS				
609-0607	609-0617	609-0647	6	15.24 (.600)	12.70 (.500)	5.80 (.200)
609-0807	609-0817	609-0847	8	17.78 (.700)	15.24 (.600)	7.62 (.300)
609-1007	609-1017	609-1047	10	20.32 (.800)	17.78 (.700)	10.16 (.400)
609-1207	609-1217	609-1247	12	22.86 (.900)	20.32 (.800)	17.70 (.500)
609-1407	609-1417	609-1447	14	25.40 (1.000)	22.86 (.900)	15.24 (.600)
609-1607	609-1617	609-1647	16	27.94 (1.100)	25.40 (1.000)	17.75 (.700)
609-2007	609-2017	609-2047	20	33.02 (1.300)	30.48 (1.200)	22.86 (.900)
609-2407	609-2417	609-2447	24	38.10 (1.500)	35.56 (1.400)	27.94 (1.100)
609-2607	609-2617	609-2647	26	40.64 (1.6001)	38.10 (1.5001)	30.48 (1.2001)
609-3007	609-3017	609-3047	30	45.72 (1.800)	43.18 (1.700)	35.56 (1.400)
609-3407	609-3417	609-3447	34	50.80 (2.000)	48.26 (1.900)	40.64 (1.600)
609-3607	609-3617	609-3647	36	53.34 (2.100)	50.80 (2.000)	43.18 (1.700)
609-4007	609-4017	609-4047	40	58.42 (2.300)	55.88 (2.200)	48.26 (1.900)
609-4407	609-4417	609-4447	44	63.50 (2.500)	60.96 (2.400)	53.34 (2.100)
609-5007	609-5017	609-5047	50	71.12 (2.800)	68.58 (2.700)	60.96 (2.400)
609-5607	609-5617	609-5647	56	78.74 (3.100)	76.20 (3.000)	68.58 (2.700)
609-6007	609-6017	609-6047	60	83.82 (3.300)	81.28 (3.200)	73.66 (2.900)
609-6407	609-6417	609-6447	64	88.90 (3.500)	86.36 (3.400)	78.74 (3.100)

HIGH TEMPERATURE LOW PROFILE HEADERS STRAIGHT PINS

.100" x .100" CENTERS



LR92984 E60980

PHYSICAL PROPERTIES

INSULATION MATERIAL: Glass filled thermoplastic rated UL 94V-0, infrared & vapor phase process compatible.

COLOR: Black

CONTACT MATERIAL: Brass with 15µ inches min. gold over 50µ inches min. nickel plating

ELECTRICAL PROPERTIES

CURRENT RATING: 1 Amp

INSULATION RESISTANCE: >1 x 10⁹ Ohms @ 500 VDC

DIELECTRIC STRENGTH: >1000 VRMS @ sea level

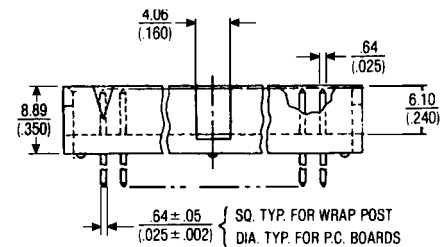
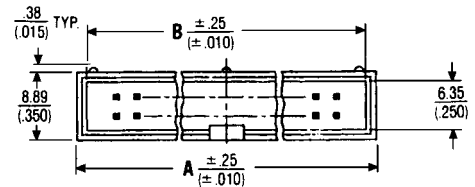
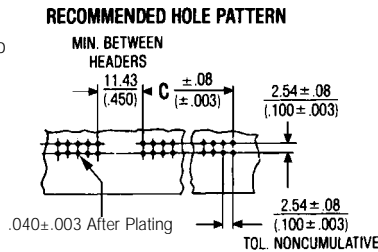
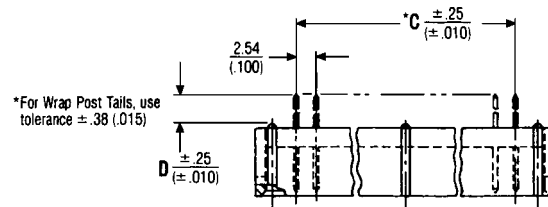
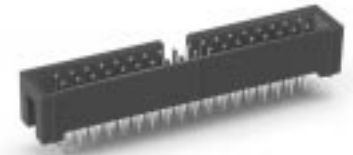
ENVIRONMENTAL PROPERTIES

TEMPERATURE RATING: -55°C To 125°C

SOLDER REFLOW TEMPERATURE RATING: -55°C To 125°C

MATING CONNECTORS

FEMALE SOCKETS: See pages 9-12



Ordering Information

CATALOG NUMBERS		NO. OF POS.	DIMENSIONS IN MM (INCHES)		
DIMENSION "D" IN MM (INCHES) FOR 1.57 (.062) P.C. BOARDS	DIMENSION "D" IN MM (INCHES) FOR 3.18 (.125) P.C. BOARDS		A	B	C
636-1027	636-1037	10	20.32 (.800)	17.78 (.700)	10.16 (.400)
636-1427	636-1437	14	25.40 (1.000)	22.86 (.900)	15.24 (.600)
636-1627	636-1637	16	27.94 (1.100)	25.40 (1.000)	17.75 (.700)
636-2027	636-2037	20	33.02 (1.300)	30.48 (1.200)	22.86 (.900)
636-2627	636-2637	26	40.64 (1.6001)	38.10 (1.5001)	30.48 (1.2001)
636-3427	636-3437	34	50.80 (2.000)	48.26 (1.900)	40.64 (1.600)
636-4027	636-4037	40	58.42 (2.300)	55.88 (2.200)	48.26 (1.900)
636-5027	636-5037	50	71.12 (2.800)	68.58 (2.700)	60.96 (2.400)
636-6027	636-6037	60	83.82 (3.300)	81.28 (3.200)	73.66 (2.900)

HIGH TEMPERATURE LOW PROFILE HEADERS RIGHT ANGLE PINS

.100" x .100" CENTERS



LR92984 E60980

PHYSICAL PROPERTIES

INSULATION MATERIAL: Glass filled thermoplastic rated UL 94V-0, infrared & vapor phase process compatible.

COLOR: Black

CONTACT MATERIAL: Brass with 15µ inches min. gold over 50µ inches min. nickel plating

ELECTRICAL PROPERTIES

CURRENT RATING: 1 Amp

INSULATION RESISTANCE: >1 x 10⁹ Ohms @ 500 VDC

DIELECTRIC STRENGTH: >1000 VRMS @ sea level

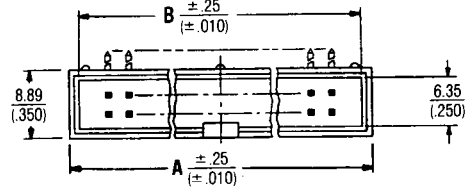
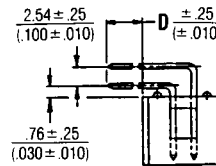
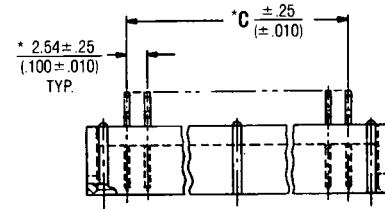
ENVIRONMENTAL PROPERTIES

TEMPERATURE RATING: -55°C TO 125°C

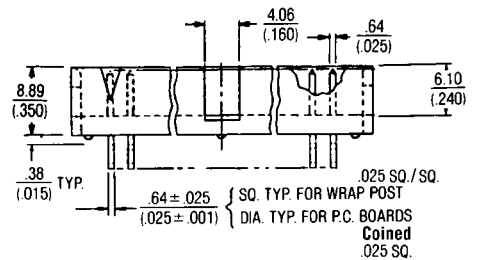
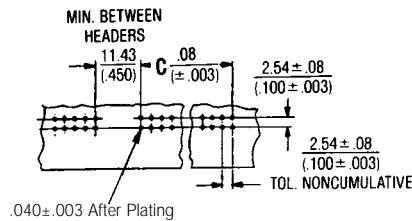
SOLDER REFLOW TEMPERATURE RATING: -55°C TO 125°C

MATING CONNECTORS

FEMALE SOCKETS: See pages 9-12



RECOMMENDED HOLE PATTERN



Ordering Information

CATALOG NUMBERS		NO. OF POS.	DIMENSIONS IN MM (INCHES)		
DIMENSION "D" IN MM (INCHES)			A	B	C
2.90 (.114)	4.19 (.165)				
FOR 1.57 (.062)	FOR 3.18 (.125)				
P.C. BOARDS	P.C. BOARDS				
636-1007	636-1017	10	20.32 (.800)	17.78 (.700)	10.16 (.400)
636-1407	636-1417	14	25.40 (1.000)	22.86 (.900)	15.24 (.600)
636-1607	636-1617	16	27.94 (1.100)	25.40 (1.000)	17.75 (.700)
636-2007	636-2017	20	33.02 (1.300)	30.48 (1.200)	22.86 (.900)
636-2607	636-2617	26	40.64 (1.6001)	38.10 (1.5001)	30.48 (1.2001)
636-3407	636-3417	34	50.80 (2.000)	48.26 (1.900)	40.64 (1.600)
636-4007	636-4017	40	58.42 (2.300)	55.88 (2.200)	48.26 (1.900)
636-5007	636-5017	50	71.12 (2.800)	68.58 (2.700)	60.96 (2.400)
636-6007	636-6017	60	83.82 (3.300)	81.28 (3.200)	73.66 (2.900)

LOW PROFILE HEADERS STRAIGHT PINS WITH RETAINER/EJECTOR LATCHES

.100" x .100" CENTERS



LR92984 E60980

PHYSICAL PROPERTIES

INSULATION MATERIAL: Glass filled thermoplastic rated UL 94V-0

COLOR: Blue

CONTACT MATERIAL: Phosphor bronze with 30µ inches min. gold over 50µ inches min. nickel in contact zone; tin/lead over nickel in termination area.

ELECTRICAL PROPERTIES

CURRENT RATING: 1 Amp

INSULATION RESISTANCE: >1 x 10⁹ Ohms @ 500 VDC

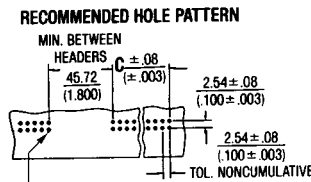
DIELECTRIC STRENGTH: >1000 VRMS @ sea level

ENVIRONMENTAL PROPERTIES

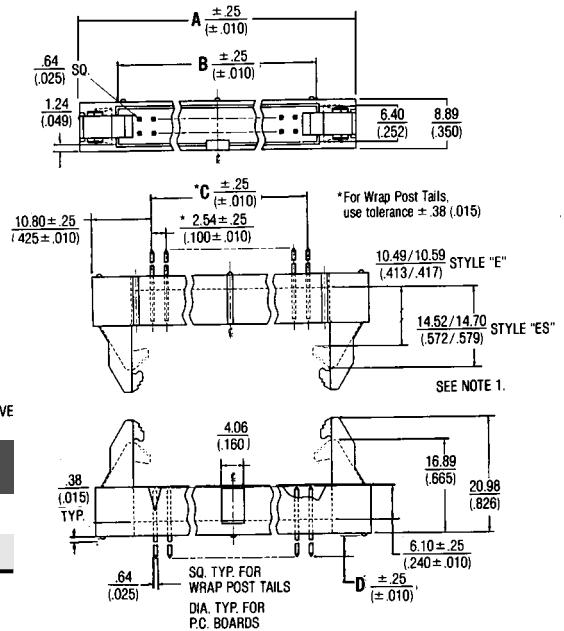
TEMPERATURE RATING: -55°C TO 125°C

MATING CONNECTORS

FEMALE SOCKETS: See pages 9-12



HOLE DIA. ±.08 (±.003) AFTER PLATING	TYPE OF CONTACT
.89 (.035)	PCB Solder Tails
1.14 (.045)	Wrap Post Tails



Ordering Information

CATALOG NUMBERS			NO. OF POS.	DIMENSIONS IN MM (INCHES)		
DIMENSIONS "D" IN MM (INCHES)				A	B	C
FOR 1.57 (.062) P.C. BOARDS	4.19 (.165) FOR 3.18 (.125) P.C. BOARDS	15.49 (.610) WRAP POST TAILS				
609-0827XX	609-0837XX	609-0857XX	8	29.21 (1.150)	15.24 (.600)	7.26 (.300)
609-1027XX	609-1037XX	609-1057XX	10	31.75 (1.250)	17.78 (.700)	10.16 (.400)
609-1227XX	609-1237XX	609-1257XX	12	34.29 (1.350)	20.32 (.800)	17.70 (.500)
609-1427XX	609-1437XX	609-1457XX	14	36.83 (1.450)	22.86 (.900)	15.24 (.600)
609-1627XX	609-1637XX	609-1657XX	16	39.37 (1.550)	25.40 (1.000)	17.78 (.700)
609-2027XX	609-2037XX	609-2057XX	20	44.45 (1.750)	30.48 (1.200)	22.86 (.900)
609-2427XX	609-2437XX	609-2457XX	24	49.53 (1.950)	35.55 (1.400)	27.94 (1.100)
609-2627XX	609-2637XX	609-2657XX	26	52.07 (2.050)	38.10 (1.500)	30.48 (1.200)
609-3027XX	609-3037XX	609-3057XX	30	57.15 (2.250)	43.18 (1.700)	35.56 (1.400)
609-3427XX	609-3437XX	609-3457XX	34	62.23 (2.450)	48.26 (1.900)	40.64 (1.600)
609-3627XX	609-3637XX	609-3657XX	36	64.77 (2.550)	50.80 (2.000)	43.18 (1.700)
609-4027XX	609-4037XX	609-4057XX	40	69.85 (2.750)	55.88 (2.200)	48.26 (1.900)
609-4427XX	609-4437XX	609-4457XX	44	74.93 (2.950)	60.96 (2.400)	53.34 (2.100)
609-5027XX	609-5037XX	609-5057XX	50	82.55 (3.250)	68.58 (2.700)	60.96 (2.400)
609-5627XX	609-5637XX	609-5657XX	56	90.17 (3.550)	76.20 (3.000)	68.58 (2.700)
609-6027XX	609-6037XX	609-6057XX	60	95.25 (3.750)	81.28 (3.200)	73.66 (2.900)
609-6427XX	609-6437XX	609-6457XX	64	100.33 (3.950)	86.36 (3.400)	78.74 (3.100)

- For long ejectors, add suffix ES (-XXXES). For short ejectors, add suffix E (-XXXE)
- Add "R" to part number for PCB retention feature.

LOW PROFILE HEADERS RIGHT ANGLE PINS WITH RETAINER/EJECTOR LATCHES

.100" x .100" CENTERS



LR92984 E60980

PHYSICAL PROPERTIES

INSULATION MATERIAL: Glass filled thermoplastic rated UL 94V-0

COLOR: Blue

CONTACT MATERIAL: Phosphor bronze with 30μ inches min. gold over 50μ inches min. nickel in contact zone; tin/lead over nickel in termination area.

ELECTRICAL PROPERTIES

CURRENT RATING: 1 Amp

INSULATION RESISTANCE: >1 x 10⁹ Ohms @ 500 VDC

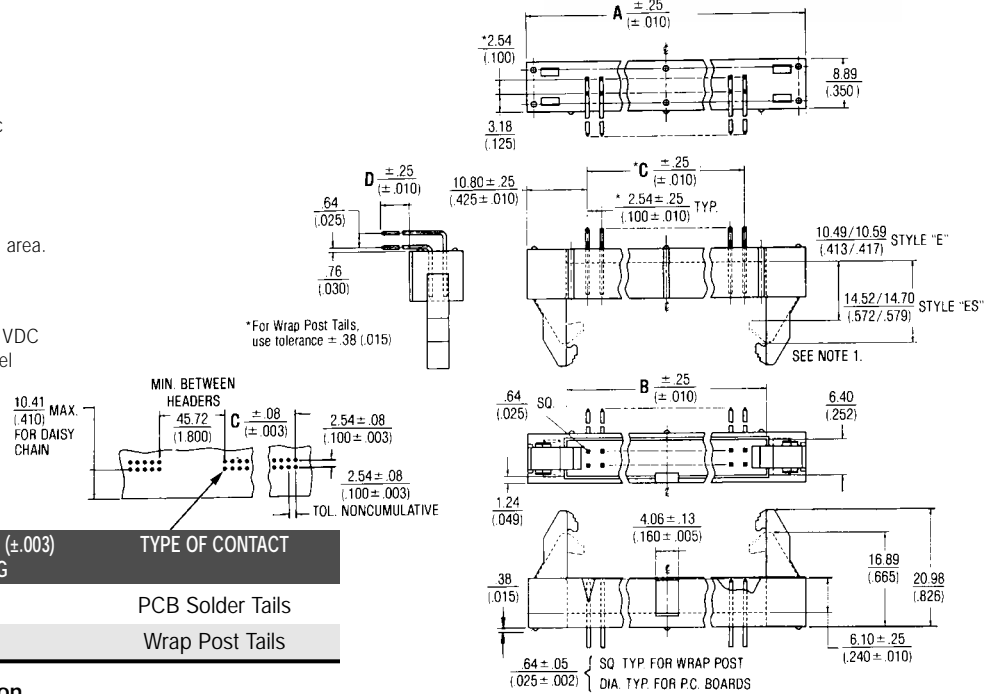
DIELECTRIC STRENGTH: >1000 VRMS @ sea level

ENVIRONMENTAL PROPERTIES

TEMPERATURE RATING: -55°C TO 125°C

MATING CONNECTORS

FEMALE SOCKETS: See pages 9-12



HOLE DIA. ±.08 (±.003) AFTER PLATING	TYPE OF CONTACT
.89 (.035)	PCB Solder Tails
1.14 (.045)	Wrap Post Tails

Ordering Information

CATALOG NUMBERS			NO. OF POS.	DIMENSIONS IN MM (INCHES)		
DIMENSIONS "D" IN MM (INCHES)				A	B	C
2.59 (.102)	4.19 (.165)	15.49 (.610)				
1.57 (.062)	3.18 (.125)	WRAP POST				
P.C. BOARDS	P.C. BOARDS	TAILS				
609-0807XX	609-0817XX	609-0847XX	8	29.21 (1.150)	15.24 (.600)	7.26 (.300)
609-1007XX	609-1017XX	609-1047XX	10	31.75 (1.250)	17.78 (.700)	10.16 (.400)
609-1207XX	609-1217XX	609-1247XX	12	34.29 (1.350)	20.32 (.800)	17.70 (.500)
609-1407XX	609-1417XX	609-1447XX	14	36.83 (1.450)	22.86 (.900)	15.24 (.600)
609-1607XX	609-1617XX	609-1647XX	16	39.37 (1.550)	25.40 (1.000)	17.78 (.700)
609-2007XX	609-2017XX	609-2047XX	20	44.45 (1.750)	30.48 (1.200)	22.86 (.900)
609-2407XX	609-2417XX	609-2447XX	24	49.53 (1.950)	35.55 (1.400)	27.94 (1.100)
609-2607XX	609-2617XX	609-2647XX	26	52.07 (2.050)	38.10 (1.500)	30.48 (1.200)
609-3007XX	609-3017XX	609-3047XX	30	57.15 (2.250)	43.18 (1.700)	35.56 (1.400)
609-3407XX	609-3417XX	609-3447XX	34	62.23 (2.450)	48.26 (1.900)	40.64 (1.600)
609-3607XX	609-3617XX	609-3647XX	36	64.77 (2.550)	50.80 (2.000)	43.18 (1.700)
609-4007XX	609-4017XX	609-4047XX	40	69.85 (2.750)	55.88 (2.200)	48.26 (1.900)
609-4407XX	609-4417XX	609-4447XX	44	74.93 (2.950)	60.96 (2.400)	53.34 (2.100)
609-5007XX	609-5017XX	609-5047XX	50	82.55 (3.250)	68.58 (2.700)	60.96 (2.400)
609-5607XX	609-5617XX	609-5647XX	56	90.17 (3.550)	76.20 (3.000)	68.58 (2.700)
609-6007XX	609-6017XX	609-6047XX	60	95.25 (3.750)	81.28 (3.200)	73.66 (2.900)
609-6407XX	609-6417XX	609-6447XX	64	100.33 (3.950)	86.36 (3.400)	78.74 (3.100)

1. For long ejectors, add suffix ES (-XXXES). For short ejectors, add suffix E (-XXXE)
2. Add "R" to part number for PCB retention feature.

FLEX-FIT™ COMPLIANT CONTACT HEADERS WITH RETAINER/EJECTOR OPTIONS

.100" x .100" CENTERS



LR92984 E60980

PHYSICAL PROPERTIES

INSULATION MATERIAL: Glass filled thermoplastic rated UL 94V-0

COLOR: Blue

CONTACT MATERIAL: Phosphor bronze with 30μ inches min. gold over 50μ inches min. nickel in contact zone; tin/lead over nickel in termination area.

PCB THICKNESS ACCOMMODATED: .062" - .125"

ELECTRICAL PROPERTIES

CURRENT RATING: 1 Amp

INSULATION RESISTANCE: >1 x 10⁹ Ohms @ 500 VDC

DIELECTRIC STRENGTH: >1000 VRMS @ sea level

ENVIRONMENTAL PROPERTIES

TEMPERATURE RATING: -55°C TO 125°C

MATING CONNECTORS

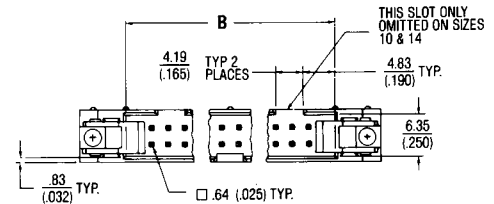
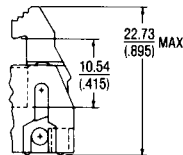
FEMALE SOCKETS: See pages 9-12

APPLICATION TOOLING

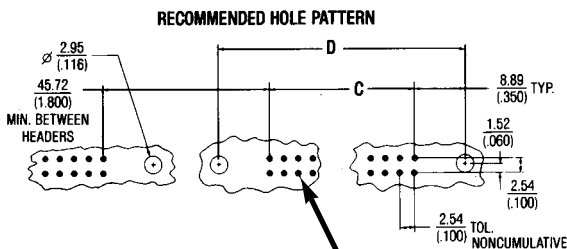
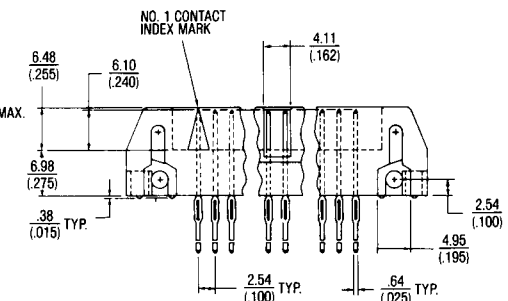
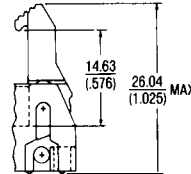
889-H7XX (XX = # positions)



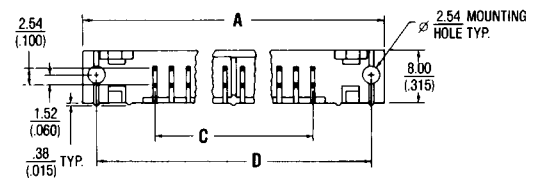
CAT. NO. 609-0004E
WITHOUT STRAIN RELIEF



CAT. NO. 609-0004ES
WITH STRAIN RELIEF



HOLE DIA. ±.08 (±.003) AFTER PLATING	TYPE OF CONTACT
1.02 (.040)	Flex-Fit™



- Press fit with or without ejector latches in place.
- Ejector/latches can be post mounted.

Ordering Information

STANDARD	WITHOUT STRAIN RELIEF	WITH STRAIN RELIEF	NO. OF POS.	DIMENSIONS IN MM (INCHES)			
				A	B	C	D
609-10400-2	609-10410-2	609-10420-2	10	32.00 (1.260)	17.53 (.690)	10.16 (.400)	27.94 (1.100)
609-14400-2	609-14410-2	609-14420-2	14	37.08 (1.460)	22.61 (.890)	15.24 (.600)	33.02 (1.300)
609-16400-2	609-16410-2	609-16420-2	16	39.62 (1.560)	25.15 (.990)	17.78 (.700)	35.56 (1.440)
609-20400-2	609-20410-2	609-20420-2	20	44.70 (1.760)	30.23 (1.190)	22.86 (.900)	40.64 (1.600)
609-26400-2	609-26410-2	609-26420-2	26	52.32 (2.060)	37.85 (1.490)	30.48 (1.200)	48.26 (1.900)
609-34400-2	609-34410-2	609-34420-2	34	62.48 (2.460)	48.01 (1.890)	40.64 (1.600)	58.42 (2.300)
609-40400-2	609-40410-2	609-40420-2	40	70.10 (2.760)	55.63 (2.190)	48.26 (1.900)	66.04 (2.600)
609-50400-2	609-50410-2	609-50420-2	50	82.80 (3.260)	68.33 (2.690)	60.96 (2.400)	78.74 (3.100)
609-60400-2	609-60410-2	609-60420-2	60	95.50 (3.760)	81.03 (3.190)	73.66 (2.900)	91.44 (3.600)
609-64400-2	609-64410-2	609-64420-2	64	100.58 (3.960)	86.11 (3.390)	78.74 (3.100)	96.52 (3.800)

*Latching Ears can be ordered separately.

LOW-PROFILE FLEX-FIT™ COMPLIANT CONTACT HEADERS

.100" x .100" CENTERS



PHYSICAL PROPERTIES

INSULATION MATERIAL: Glass filled thermoplastic rated UL 94V-0

COLOR: Blue

CONTACT MATERIAL: Phosphor bronze with 30µ inches min. gold over 50µ inches min. nickel in contact zone; tin/lead over nickel in termination area.

PCB THICKNESS ACCOMMODATED: .062" - .125"

ELECTRICAL PROPERTIES

CURRENT RATING: 1 Amp

INSULATION RESISTANCE: >1 x 10⁹ Ohms @ 500 VDC

DIELECTRIC STRENGTH: >1000 VRMS @ sea level

ENVIRONMENTAL PROPERTIES

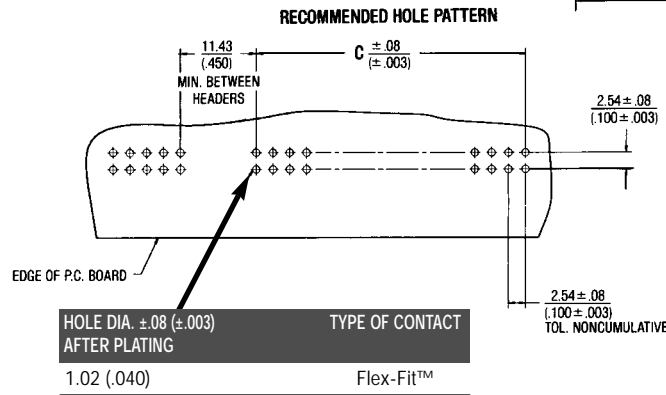
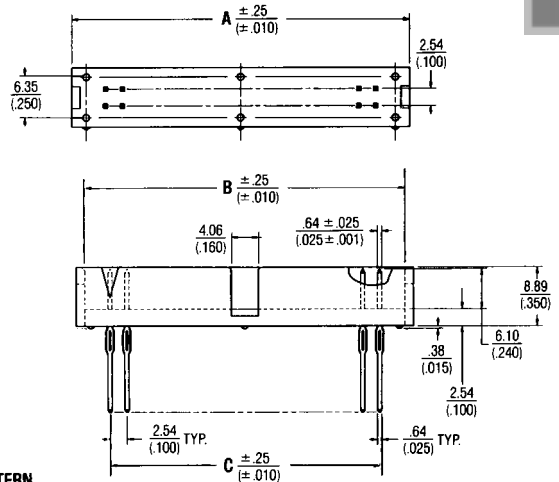
TEMPERATURE RATING: -55°C TO 125°C

MATING CONNECTORS

FEMALE SOCKETS: See pages 9-12

APPLICATION TOOLING

889-H7XX (XX = # positions)



Ordering Information

STANDARD	WITHOUT STRAIN RELIEF		WITH STRAIN RELIEF		NO. OF POS.	DIMENSIONS IN MM (INCHES)		
	WITHOUT STRAIN RELIEF	WITH STRAIN RELIEF	WITHOUT STRAIN RELIEF	WITH STRAIN RELIEF		A	B	C
609-10700-2	609-10700-2	609-10700-2	609-10700-2	609-10700-2	10	20.32 (0.800)	17.78 (.700)	10.16 (0.400)
609-14700-2	609-14700-2	609-14700-2	609-14700-2	609-14700-2	14	25.40 (1.000)	22.86 (0.900)	15.24 (.600)
609-16700-2	609-16700-2	609-16700-2	609-16700-2	609-16700-2	16	27.94 (1.100)	25.40 (1.000)	17.78 (0.700)
609-20700-2	609-20700-2	609-20700-2	609-20700-2	609-20700-2	20	33.02 (1.300)	30.48 (1.200)	22.86 (0.900)
609-24700-2	609-24700-2	609-24700-2	609-24700-2	609-24700-2	24	38.10 (1.500)	35.56 (1.400)	27.94 (1.100)
609-26700-2	609-26700-2	609-26700-2	609-26700-2	609-26700-2	26	40.64 (1.600)	38.10 (1.500)	30.48 (1.200)
609-34700-2	609-34700-2	609-34700-2	609-34700-2	609-34700-2	34	50.80 (2.000)	48.26 (1.900)	40.64 (1.600)
609-36700-2	609-36700-2	609-36700-2	609-36700-2	609-36700-2	36	53.34 (2.100)	50.80 (2.000)	46.18 (1.700)
609-40700-2	609-40700-2	609-40700-2	609-40700-2	609-40700-2	40	58.42 (2.300)	55.88 (2.200)	48.26 (1.900)
609-44700-2	609-44700-2	609-44700-2	609-44700-2	609-44700-2	44	63.50 (2.500)	60.95 (2.400)	53.34 (2.100)
609-50700-2	609-50700-2	609-50700-2	609-50700-2	609-50700-2	50	71.12 (2.800)	68.58 (2.700)	60.96 (2.400)
609-56700-2	609-56700-2	609-56700-2	609-56700-2	609-56700-2	56	78.74 (3.100)	76.20 (3.000)	68.58 (2.700)
609-60700-2	609-60700-2	609-60700-2	609-60700-2	609-60700-2	60	83.82 (3.300)	81.28 (3.200)	73.66 (2.900)
609-64700-2	609-64700-2	609-64700-2	609-64700-2	609-64700-2	64	88.90 (3.500)	86.36 (3.400)	78.74 (3.100)

SURFACE MOUNT LOW PROFILE PCB HEADER

.100" x .100" CENTERS



LR92984 E60980

PHYSICAL PROPERTIES

INSULATION MATERIAL: Glass filled thermoplastic rated UL 94V-0, infrared & vapor phase process compatible.

COLOR: Black

CONTACT MATERIAL: Phosphor bronze with 30µ inches min. gold over nickel in termination area.

ELECTRICAL PROPERTIES

CURRENT RATING: 1 Amp

INSULATION RESISTANCE: >1 x 10⁹ Ohms @ 500 VDC

DIELECTRIC STRENGTH: > 500 VRMS @ sea level

ENVIRONMENTAL PROPERTIES

TEMPERATURE RATING: -55°C TO 125°C

MATING CONNECTORS

FEMALE SOCKETS: See pages 9-12

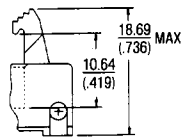
ACCESSORIES

POLARIZING KEY: See page 44

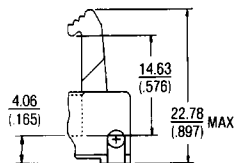
* Use xxx xx for mounting hole options.



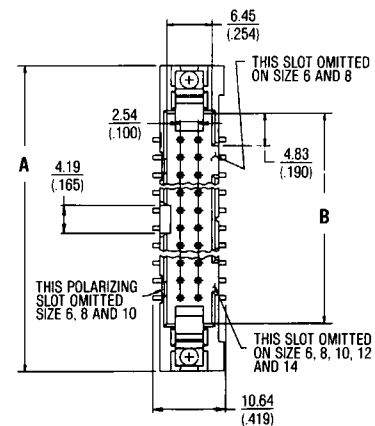
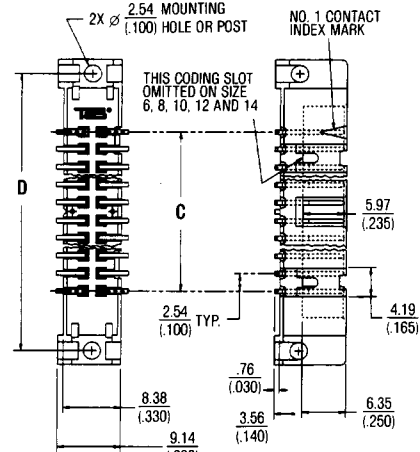
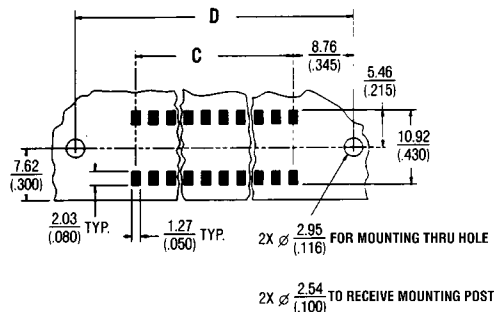
STYLE 1
WITHOUT STRAIN RELIEF



STYLE 2
WITH STRAIN RELIEF



RECOMMENDED PAD PATTERN

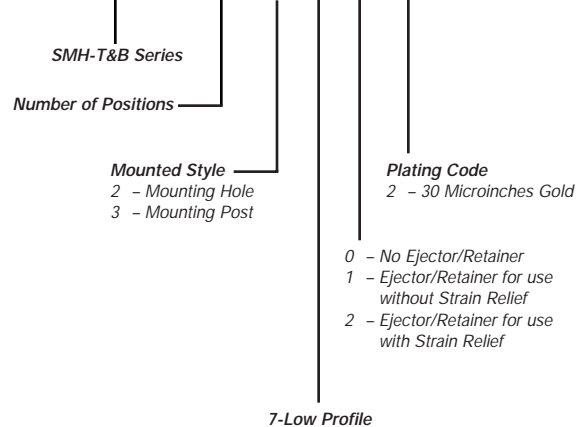


Ordering Information

CATALOG NO.	NO. OF POS.	DIMENSIONS IN MM (INCHES)			
		A	B	C	D
SMH-06*	6	26.67 (1.050)	12.80 (.504)	5.08 (.200)	22.61 (.890)
SMH-08*	8	29.21 (1.150)	15.34 (.604)	7.62 (.300)	25.15 (.990)
SMH-10*	10	31.75 (1.250)	17.88 (.704)	10.16 (.400)	27.69 (1.090)
SMH-12*	12	34.29 (1.350)	20.42 (.804)	12.70 (.500)	30.23 (1.190)
SMH-14*	14	36.83 (1.450)	22.96 (.904)	15.24 (.600)	32.77 (1.290)
SMH-16*	16	39.37 (1.550)	25.50 (1.004)	17.78 (.700)	35.31 (1.390)
SMH-20*	20	44.45 (1.750)	30.58 (1.204)	22.86 (.900)	40.39 (1.590)
SMH-24*	24	49.53 (1.950)	35.66 (1.404)	27.94 (1.100)	45.47 (1.790)
SMH-26*	26	52.07 (2.050)	38.20 (1.504)	30.48 (1.200)	48.00 (1.890)
SMH-30*	30	57.15 (2.250)	43.28 (1.704)	35.56 (1.400)	53.09 (2.090)
SMH-34*	34	62.23 (2.450)	48.36 (1.904)	40.64 (1.600)	58.17 (2.290)
SMH-40*	40	69.85 (2.750)	55.98 (2.204)	48.26 (1.900)	65.79 (2.590)
SMH-44*	44	74.93 (2.950)	61.06 (2.404)	53.34 (2.100)	70.87 (2.790)
SMH-50*	50	82.55 (3.250)	68.68 (2.704)	60.96 (2.400)	78.49 (3.090)
SMH-56*	56	90.17 (3.550)	76.30 (3.004)	68.58 (2.700)	86.11 (3.390)
SMH-60*	60	95.25 (3.750)	81.38 (3.204)	73.66 (2.900)	91.19 (3.590)
SMH-64*	64	100.33 (3.950)	86.46 (3.404)	78.74 (3.100)	96.27 (3.790)

* See part number matrix for complete product number

SMH-XX Y 7 Z-2



SINGLE ROW PIN STRIP HEADERS (STRAIGHT)

.100" CENTERS



PHYSICAL PROPERTIES

INSULATION MATERIAL: Glass reinforced thermoplastic,

rated 94V-0

COLOR: Black

OXYGEN INDEX: 32

CONTACT MATERIAL: Copper alloy, gold or tin/lead plating over nickel

ELECTRICAL PROPERTIES

CURRENT RATING: 3 Amps/pin

INSULATION RESISTANCE: >1 x 10⁹ Ohms

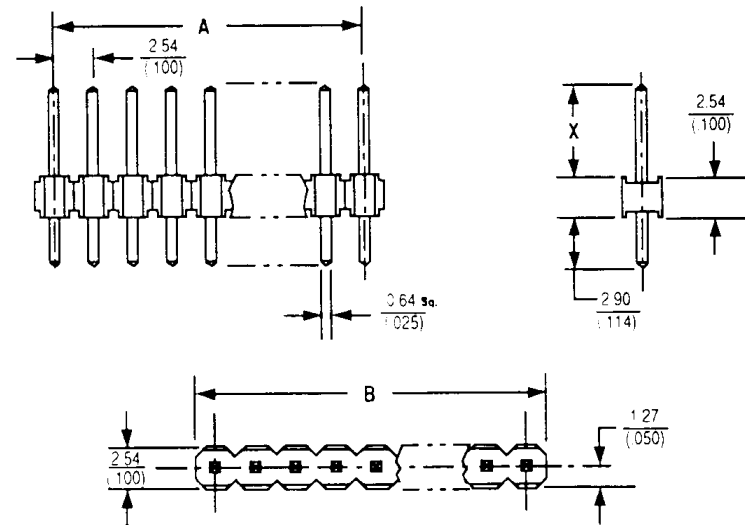
DIELECTRIC STRENGTH: >1000 VAC

ENVIRONMENTAL PROPERTIES

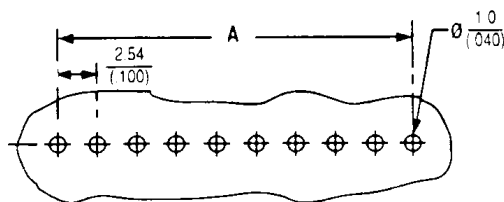
TEMPERATURE RATING: -55°C to 125°C

W	INTERFACE PLATING
G	10 μ" gold over nickel
H	30 μ" gold over nickel
T	100 μ" tin/lead over nickel

X	MATING LENGTH
A	8.1 (.318)
B	5.8 (.230)



Recommended Printed Circuit Board Layout



Ordering Information

NUMBER OF POSITIONS	CATALOG NO. SPECIFY W & X	A	B
1	PS-01SS-WXA	—	2.54 (.100)
2	PS-02SS-WXA	2.54 (.100)	5.08 (.200)
3	PS-03SS-WXA	5.08 (.200)	7.62 (.300)
4	PS-04SS-WXA	7.62 (.300)	10.16 (.400)
5	PS-05SS-WXA	10.16 (.400)	12.70 (.500)
6	PS-06SS-WXA	12.70 (.500)	15.24 (.600)
7	PS-07SS-WXA	15.24 (.600)	17.78 (.700)
8	PS-08SS-WXA	17.78 (.700)	20.32 (.800)
9	PS-09SS-WXA	20.32 (.800)	22.86 (.900)
10	PS-10SS-WXA	22.86 (.900)	25.40 (1.000)
11	PS-11SS-WXA	25.40 (1.000)	27.94 (1.100)
12	PS-12SS-WXA	27.94 (1.100)	30.48 (1.200)
13	PS-13SS-WXA	30.48 (1.200)	33.02 (1.300)
14	PS-14SS-WXA	33.02 (1.300)	35.56 (1.400)
15	PS-15SS-WXA	35.56 (1.400)	38.10 (1.500)
16	PS-16SS-WXA	38.10 (1.500)	40.64 (1.600)
17	PS-17SS-WXA	40.64 (1.600)	43.18 (1.700)
18	PS-18SS-WXA	43.18 (1.700)	45.72 (1.800)
19	PS-19SS-WXA	45.72 (1.800)	48.26 (1.900)
20	PS-20SS-WXA	48.26 (1.900)	50.80 (2.000)
21	PS-21SS-WXA	50.80 (2.000)	53.34 (2.100)
22	PS-22SS-WXA	53.34 (2.100)	55.88 (2.200)
23	PS-23SS-WXA	55.88 (2.200)	58.42 (2.300)
24	PS-24SS-WXA	58.42 (2.300)	60.96 (2.400)
25	PS-25SS-WXA	60.96 (2.400)	63.50 (2.500)
26	PS-26SS-WXA	63.50 (2.500)	66.04 (2.600)
27	PS-27SS-WXA	66.04 (2.600)	68.58 (2.700)
28	PS-28SS-WXA	68.58 (2.700)	71.12 (2.800)
29	PS-29SS-WXA	71.12 (2.800)	73.66 (2.900)
30	PS-30SS-WXA	73.66 (2.900)	76.20 (3.000)
31	PS-31SS-WXA	76.20 (3.000)	78.74 (3.100)
32	PS-32SS-WXA	78.74 (3.100)	81.28 (3.200)
33	PS-33SS-WXA	81.28 (3.200)	83.82 (3.300)
34	PS-34SS-WXA	83.82 (3.300)	86.36 (3.400)
35	PS-35SS-WXA	86.36 (3.400)	88.90 (3.500)
36	PS-36SS-WXA	88.90 (3.500)	91.44 (3.600)
37	PS-37SS-WXA	91.44 (3.600)	93.98 (3.700)
38	PS-38SS-WXA	93.98 (3.700)	96.52 (3.800)
39	PS-39SS-WXA	96.52 (3.800)	99.06 (3.900)
40	PS-40SS-WXA	99.06 (3.900)	101.6 (4.000)

eg. PS-40SS-TBA

SINGLE ROW PIN STRIP HEADERS (RIGHT ANGLE)

.100" CENTERS



PHYSICAL PROPERTIES

INSULATION MATERIAL: Glass reinforced thermoplastic, rated 94V-0

COLOR: Black

OXYGEN INDEX: 32

CONTACT MATERIAL: Copper alloy, gold or tin/lead plating over nickel

ELECTRICAL PROPERTIES

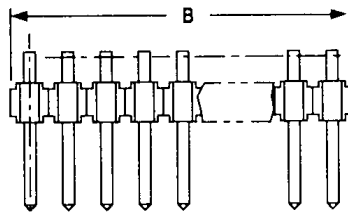
CURRENT RATING: 3 Amps/pin

Insulation Resistance >1 x 10⁹ Ohms

Dielectric Strength >1000 VAC

ENVIRONMENTAL PROPERTIES

TEMPERATURE RATING: -55°C to 125°C

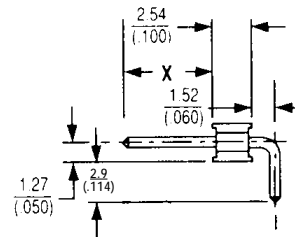
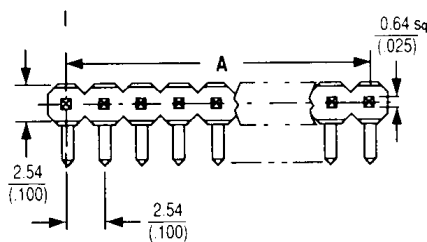


W	INTERFACE PLATING
G	10 μ" gold over nickel
H	30μ" gold over nickel
T	100μ" tin/lead over nickel

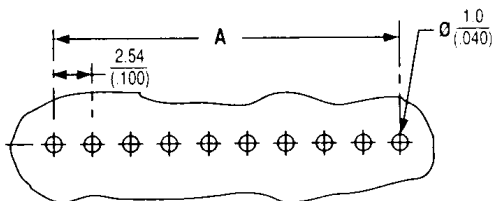
X	MATING LENGTH
A	8.1 (.318)
B	5.8 (.230)

Ordering Information

NUMBER OF POSITIONS	CATALOG NO. SPECIFY W, X	A	B
1	PS-01SR-WXA	—	2.54 (.100)
2	PS-02SR-WXA	2.54 (.100)	5.01 (.200)
3	PS-03SR-WXA	5.08 (.200)	7.62 (.300)
4	PS-04SR-WXA	7.62 (.300)	10.16 (.400)
5	PS-05SR-WXA	10.16 (.400)	12.70 (.500)
6	PS-06SR-WXA	12.70 (.500)	15.24 (.600)
7	PS-07SR-WXA	15.24 (.600)	17.78 (.700)
8	PS-08SR-WXA	17.78 (.700)	20.32 (.800)
9	PS-09SR-WXA	20.32 (.800)	22.86 (.900)
10	PS-10SR-WXA	22.86 (.900)	25.40 (1.000)
11	PS-11SR-WXA	25.40 (1.000)	27.94 (1.100)
12	PS-12SR-WXA	27.94 (1.100)	30.48 (1.200)
13	PS-13SR-WXA	30.48 (1.200)	33.02 (1.300)
14	PS-14SR-WXA	33.02 (1.300)	35.56 (1.400)
15	PS-15SR-WXA	35.56 (1.400)	38.10 (1.500)
16	PS-16SR-WXA	38.10 (1.500)	40.64 (1.600)
17	PS-17SR-WXA	40.64 (1.600)	43.18 (1.700)
18	PS-18SR-WXA	43.18 (1.700)	45.72 (1.800)
19	PS-19SR-WXA	45.72 (1.800)	48.26 (1.900)
20	PS-20SR-WXA	48.26 (1.900)	50.80 (2.000)
21	PS-21SR-WXA	50.80 (2.000)	53.34 (2.100)
22	PS-22SR-WXA	53.34 (2.100)	55.88 (2.200)
23	PS-23SR-WXA	55.88 (2.200)	58.42 (2.300)
24	PS-24SR-WXA	58.42 (2.300)	60.96 (2.400)
25	PS-25SR-WXA	60.96 (2.400)	63.50 (2.500)
26	PS-26SR-WXA	63.50 (2.500)	66.04 (2.600)
27	PS-27SR-WXA	66.04 (2.600)	68.58 (2.700)
28	PS-28SR-WXA	68.58 (2.700)	71.12 (2.800)
29	PS-29SR-WXA	71.12 (2.800)	73.66 (2.900)
30	PS-30SR-WXA	73.66 (2.900)	76.20 (3.000)
31	PS-31SR-WXA	76.20 (3.000)	78.74 (3.100)
32	PS-32SR-WXA	78.74 (3.100)	81.28 (3.200)
33	PS-33SR-WXA	81.28 (3.200)	83.82 (3.300)
34	PS-34SR-WXA	83.82 (3.300)	86.36 (3.400)
35	PS-35SR-WXA	86.36 (3.400)	88.90 (3.500)
36	PS-36SR-WXA	88.90 (3.500)	91.44 (3.600)
37	PS-37SR-WXA	91.44 (3.600)	93.98 (3.700)
38	PS-38SR-WXA	93.98 (3.700)	96.52 (3.800)
39	PS-39SR-WXA	96.52 (3.800)	99.06 (3.900)
40	PS-40SR-WXA	99.06 (3.900)	101.6 (4.000)



Recommended Printed Circuit Board Layout



eg. PS-40SR-TBA

DUAL ROW PIN STRIP HEADERS STRAIGHT

.100" x .100" CENTERS



PHYSICAL PROPERTIES

INSULATION MATERIAL: Glass reinforced thermo-plastic, rated 94V-0

COLOR: Black

OXYGEN INDEX: 32

CONTACT MATERIAL: Copper alloy, gold or tin/lead plating over nickel

ELECTRICAL PROPERTIES

CURRENT RATING: 3 Amps/pin

INSULATION RESISTANCE: > 1 x 10⁹ Ohms

DIELECTRIC STRENGTH: > 1000 VAC

ENVIRONMENTAL PROPERTIES

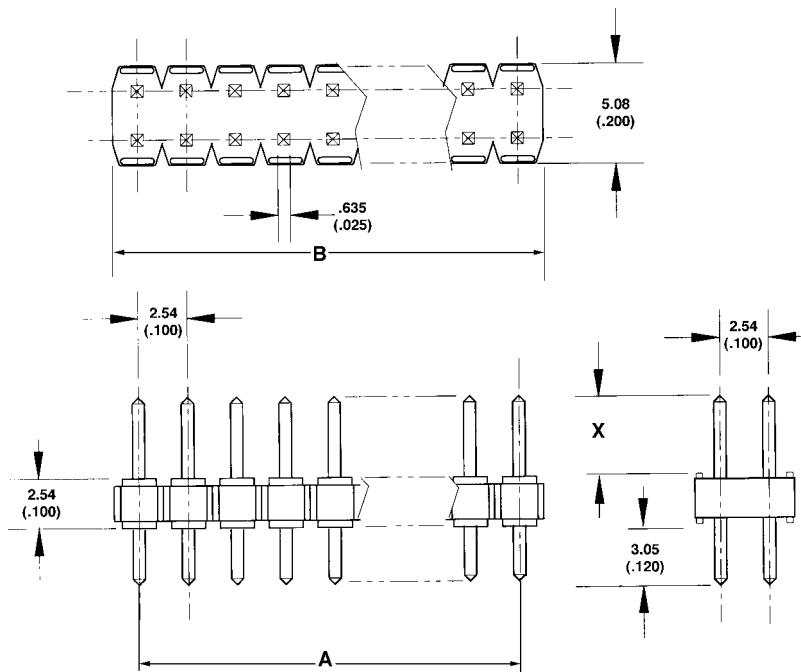
TEMPERATURE RATING: -55°C to 125°C

W	INTERFACE PLATING
G	10 μ" gold over nickel
H	30 μ" gold over nickel
T	100 μ" tin/lead over nickel

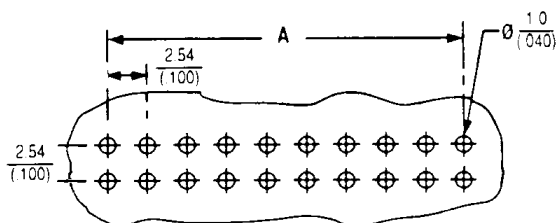
X	MATING LENGTH
A	8.1 (.318)
B	5.8 (.230)

Ordering Information

NUMBER OF POSITIONS	CATALOG NO. SPECIFY W & X	A	B
2	PS-02DS-WXA	2.00 (.079)	4.00 (.158)
4	PS-04DS-WXA	6.00 (.237)	8.00 (.316)
6	PS-06DS-WXA	10.00 (.395)	12.00 (.474)
8	PS-08DS-WXA	14.00 (.553)	16.00 (.632)
10	PS-10DS-WXA	18.00 (.711)	20.00 (.790)
12	PS-12DS-WXA	22.00 (.869)	24.00 (.948)
14	PS-14DS-WXA	26.00 (1.027)	28.00 (1.106)
16	PS-16DS-WXA	30.00 (1.185)	32.00 (1.264)
18	PS-18DS-WXA	34.00 (1.343)	36.00 (1.422)
20	PS-20DS-WXA	38.00 (1.501)	40.00 (1.580)
22	PS-22DS-WXA	42.00 (1.659)	44.00 (1.738)
24	PS-24DS-WXA	46.00 (1.817)	48.00 (1.896)
26	PS-26DS-WXA	50.00 (1.975)	52.00 (2.054)
28	PS-28DS-WXA	54.00 (2.133)	56.00 (2.212)
30	PS-30DS-WXA	58.00 (2.291)	60.00 (2.370)
32	PS-32DS-WXA	62.00 (2.449)	64.00 (2.528)
34	PS-34DS-WXA	66.00 (2.607)	68.00 (2.686)
36	PS-36DS-WXA	70.00 (2.765)	72.00 (2.844)
38	PS-38DS-WXA	74.00 (2.923)	76.00 (3.002)
40	PS-40DS-WXA	78.00 (3.081)	80.00 (3.160)
42	PS-42DS-WXA	82.00 (3.239)	84.00 (3.318)
44	PS-44DS-WXA	86.00 (3.397)	88.00 (3.476)
46	PS-46DS-WXA	90.00 (3.555)	92.00 (3.634)
48	PS-48DS-WXA	94.00 (3.713)	96.00 (3.792)
50	PS-50DS-WXA	98.00 (3.871)	100.00 (3.950)
52	PS-52DS-WXA	102.00 (4.029)	104.00 (4.108)
54	PS-54DS-WXA	106.00 (4.187)	108.00 (4.266)
56	PS-56DS-WXA	110.00 (4.345)	112.00 (4.424)
58	PS-58DS-WXA	114.00 (4.503)	116.00 (4.582)
60	PS-60DS-WXA	118.00 (4.661)	120.00 (4.740)
62	PS-62DS-WXA	122.00 (4.819)	124.00 (4.898)
64	PS-64DS-WXA	126.00 (4.977)	128.00 (5.056)
66	PS-66DS-WXA	130.00 (5.135)	132.00 (5.214)
68	PS-68DS-WXA	134.00 (5.293)	136.00 (5.372)
70	PS-70DS-WXA	138.00 (5.451)	140.00 (5.530)
72	PS-72DS WXA	142.00 (5.609)	144.00 (5.688)
74	PS-74DS-WXA	146.00 (5.767)	148.00 (5.846)
76	PS-76DS-WXA	150.00 (5.925)	152.00 (6.004)
78	PS-78DS-WXA	154.00 (6.083)	156.00 (6.162)
80	PS-80DS-WXA	158.00 (6.241)	160.00 (6.320)



Recommended Printed Circuit Board Layout



eg. PS-80DS-TAA

DUAL ROW PIN STRIP HEADERS RIGHT ANGLE

.100" x .100" CENTERS



PHYSICAL PROPERTIES

INSULATION MATERIAL: Glass reinforced thermo-plastic, rated 94V-0

COLOR: Black

OXYGEN INDEX: 32

CONTACT MATERIAL: Copper alloy, gold or tin/lead plating over nickel

ELECTRICAL PROPERTIES

CURRENT RATING: 3 Amps/pin

INSULATION RESISTANCE: > 1 x 10⁹ Ohms

DIELECTRIC STRENGTH: > 1000 VAC

ENVIRONMENTAL PROPERTIES

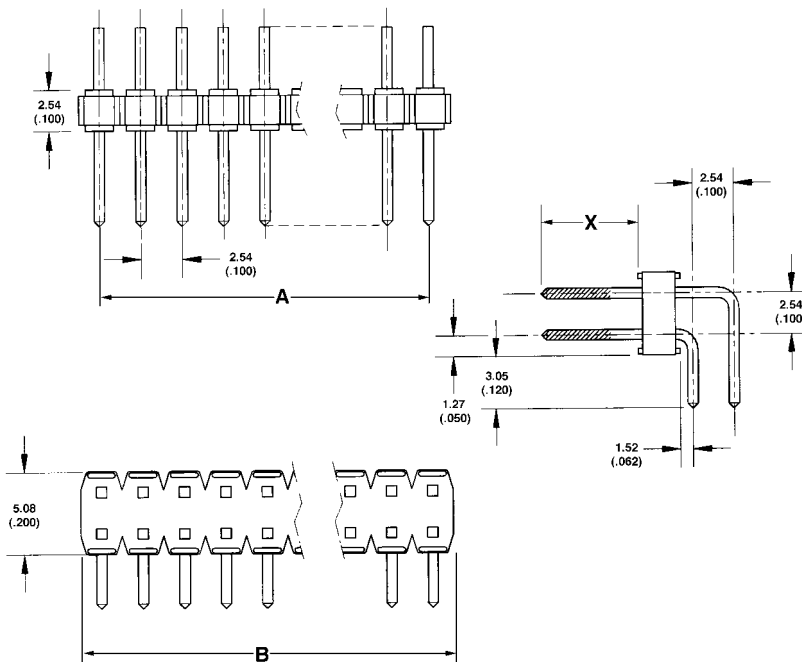
TEMPERATURE RATING: -55°C to 125°C

W	INTERFACE PLATING
G	10 μ" gold over nickel
H	30 μ" gold over nickel
T	100 μ" tin/lead over nickel

X	MATING LENGTH
A	8.1 (.318)
B	5.8 (.230)

Ordering Information

NUMBER OF POSITIONS	CATALOG NO. SPECIFY W, & X	A	B
2	PS-02DR-WXA	2.54 (1.00)	5.08 (.200)
4	PS-04PR-WXA	7.62 (.300)	10.16 (.400)
6	PS-06DR-WXA	12.70 (.500)	15.24 (.600)
8	PS-08DR-WXA	17.78 (.700)	20.32 (.800)
10	PS-10DR-WXA	22.86 (.900)	25.40 (1.000)
12	PS-12DR-WXA	27.94 (1.100)	30.48 (1.200)
14	PS-14DR-WXA	33.02 (1.300)	35.56 (1.400)
16	PS-16DR-WXA	38.10 (1.500)	40.64 (1.600)
18	PS-18DR-WXA	43.18 (1.700)	45.72 (1.800)
20	PS-20DR-WXA	48.26 (1.900)	50.80 (2.000)
22	PS-22DR-WXA	53.34 (2.100)	55.88 (2.200)
24	PS-24DR-WXA	58.42 (2.300)	60.96 (2.400)
26	PS-26DR-WXA	63.50 (2.500)	66.04 (2.600)
28	PS-28DR-WXA	68.58 (2.700)	71.12 (2.800)
30	PS-30DR-WXA	73.66 (2.900)	76.20 (3.000)
32	PS-32DR-WXA	78.74 (3.100)	81.28 (3.200)
34	PS-34DR-WXA	83.82 (3.300)	86.36 (3.400)
36	PS-36DR-WXA	88.90 (3.500)	91.44 (3.600)
38	PS-38DR-WXA	93.98 (3.700)	96.52 (3.800)
40	PS-40DR-WXA	99.06 (3.900)	101.60 (4.000)
42	PS-42DR-WXA	104.14 (4.100)	106.68 (4.200)
44	PS-44DR-WXA	109.22 (4.300)	111.76 (4.400)
46	PS-46DR-WXA	114.30 (4.500)	116.84 (4.600)
48	PS-48DR-WXA	119.38 (4.700)	121.92 (4.800)
50	PS-50DR-WXA	124.46 (4.900)	127.00 (5.000)
52	PS-52DR-WXA	129.54 (5.100)	132.08 (5.200)
54	PS-54DR-WXA	134.62 (5.300)	137.16 (5.400)
56	PS-56DR-WXA	139.70 (5.500)	142.24 (5.600)
58	PS-58DR-WXA	144.78 (5.700)	147.32 (5.800)
60	PS-60DR-WXA	149.86 (5.900)	152.40 (6.000)
62	PS-62DR-WXA	154.94 (6.100)	157.48 (6.200)
64	PS-64DR-WXA	160.02 (6.300)	162.56 (6.400)
66	PS-66DR-WXA	165.10 (6.500)	167.64 (6.600)
68	PS-68DR-WXA	170.18 (6.700)	172.72 (6.800)
70	PS-70DR-WXA	175.26 (6.900)	177.80 (7.000)
72	PS-72DR-WXA	180.34 (7.100)	182.88 (7.200)
74	PS-74DR-WXA	185.42 (7.300)	187.96 (7.400)
76	PS-76DR-WXA	190.50 (7.500)	193.04 (7.600)
78	PS-78DR-WXA	195.58 (7.700)	198.12 (7.800)
80	PS-80DR-WXA	200.66 (7.900)	203.20 (8.000)



Recommended Printed Circuit Board Layout

