

# MHDTZK Series

## Diecast Hood & D-Sub Connector Kit | Stamped & Formed



### Description

- Strong nickel plated, Die cast, Zinc hood
- Cable entry, Top entry, 90 degrees
- Will accommodate 4.0mm to 13.0mm diameter cable
- Compression cable clamp inserts for 4, 5,7 and 9.0mm diameter cable
- Compression inserts can be mixed to obtain maximum cable retention
- C-Clip to terminate the cable braid
- 4-40 UNC Jackscrews
- D-Sub connector with Machined contacts, Gold plated all over

### The Kit Contains:

- |                                    |    |
|------------------------------------|----|
| • Backshell halves                 | x2 |
| • 4-40 Thumbscrews                 | x2 |
| • Housing screws                   | x2 |
| • Set of compression inserts       | x1 |
| • Compression Spring               | x1 |
| • D-Sub Connector (Male or Female) | x1 |

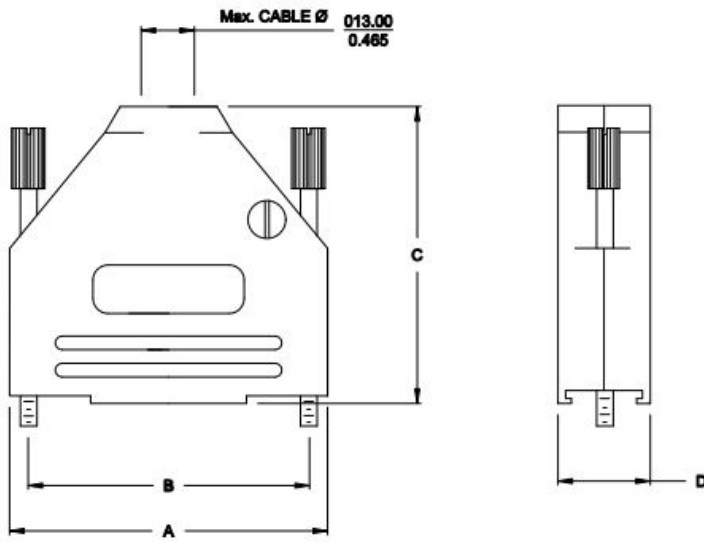
### Specification

#### Hood:

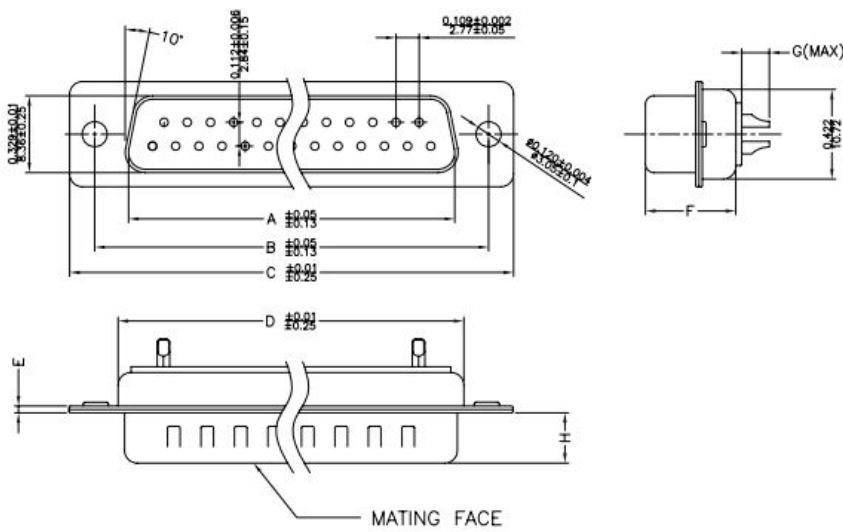
- |                     |                      |
|---------------------|----------------------|
| • No Contacts:      | 9, 15, 25            |
| • Kit Type:         | D-Sub Connector Kit  |
| • Housing Material: | Nickel Plated Zinc   |
| • Cable Entry:      | Straight, 90 degrees |
| • Cable OD:         | Up to 13.0mm         |

#### D-Sub Connector:

- |                          |  |
|--------------------------|--|
| • Voltage Rating:        | 250V   |
| • Current Rating:        | 3 Amps   |
| • Contact Resistance:    | 25mA Max   |
| • Insulation Resistance: | 1000M $\Omega$   |
| • Operating Temperature: | -55°C to 105°C   |
| • Shell:                 | Tin Plated Steel   |
| • Insulator Material:    | Glass Filled Polyester                                   |
| • Contact Material:      | Copper Alloy   |
| • Contact Plating:       | Selective Gold over Nickel,<br>Solder bucket: Tin plated |



Dimentions				
Size	A	B	C	D
09	31.20	24.99	39.90	15.00
	1.228	0.984	1.571	0.591
15	39.50	33.32	41.50	15.00
	1.555	1.312	1.634	0.591
25	53.40	47.04	48.60	15.00
	2.102	1.852	1.913	0.591



Dimentions			
	09	15	25
A	16.92	25.25	38.96
B	24.99	33.32	47.04
C	30.81	39.14	53.04
D	19.23	27.56	41.30
E	1.0	1.0	1.0
F	10.8	10.8	10.8
G	2.7	2.7	2.7
H	5.84	5.84	5.84

Part No	Positions	Male/Female	Contact Type	Hood Part No	D-Sub Part No
MHDTZK9-DB9P-K	9 Pin	Male	Stamped & Formed	MHDTZK-9-K	MHDB9SP
MHDTZK15-DB15P-K	15 Pin	Male	Stamped & Formed	MHDTZK-15-K	MHDB15SP
MHDTZK25-DB25P-K	25 Pin	Male	Stamped & Formed	MHDTZK-25-K	MHDB25SP
MHDTZK9-DB9S-K	9 Pin	Female	Stamped & Formed	MHDTZK-9-K	MHDB9SS
MHDTZK15-DB15S-K	15 Pin	Female	Stamped & Formed	MHDTZK-15-K	MHDB15SS
MHDTZK25-DB25S-K	25 Pin	Female	Stamped & Formed	MHDTZK-25-K	MHDB25SS

# MHDTZK Series

## Diecast Hood & D-Sub Connector Kit | Machined



### Description

- Strong nickel plated, Die cast, Zinc hood
- Cable entry, Top entry, 90 degrees
- Will accommodate 4.0mm to 13.0mm diameter cable
- Compression cable clamp inserts for 4, 5,7 and 9.0mm diameter cable
- Compression inserts can be mixed to obtain maximum cable retention
- C-Clip to terminate the cable braid
- 4-40 UNC jackscrews
- D-Sub connector with Machined contacts, Gold plated all over

### The Kit Contains:

- |                                    |    |
|------------------------------------|----|
| • Backshell halves                 | x2 |
| • 4-40 Thumbscrews                 | x2 |
| • Housing screws                   | x2 |
| • Set of compression inserts       | x1 |
| • Compression Spring               | x1 |
| • D-Sub Connector (Male or Female) | x1 |

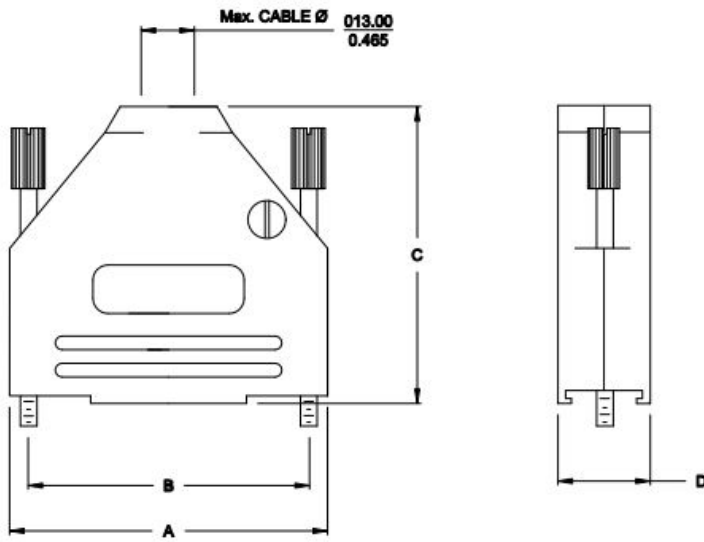
### Specification

#### Hood:

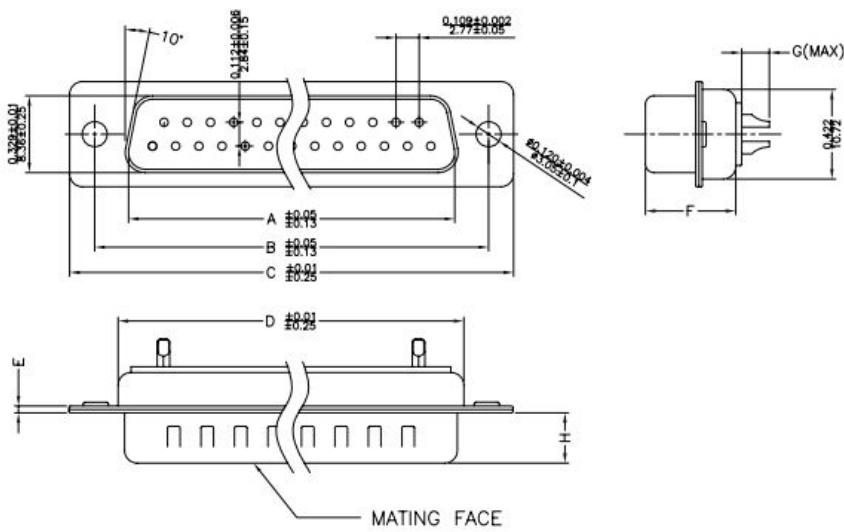
- |                     |                      |
|---------------------|----------------------|
| • No Contacts:      | 9, 15, 25            |
| • Kit Type:         | D-Sub Connector Kit  |
| • Housing Material: | Nickel Plated Zinc   |
| • Cable Entry:      | Straight, 90 degrees |
| • Cable OD:         | Up to 13.0mm         |

#### D-Sub Connector:

- |                          |                            |
|--------------------------|----------------------------|
| • Voltage Rating:        | 250V                       |
| • Current Rating:        | 5 Amps                     |
| • Contact Resistance:    | 25mA Max                   |
| • Insulation Resistance: | 1000M $\Omega$             |
| • Operating Temperature: | -55°C to 105°C             |
| • Shell:                 | Tin Plated Steel           |
| • Insulator Material:    | Glass Filled Polyester     |
| • Contact Material:      | Copper Alloy               |
| • Contact Plating:       | Selective gold over nickel |



Dimentions				
Size	A	B	C	D
09	31.20	24.99	39.90	15.00
	1.228	0.984	1.571	0.591
15	39.50	33.32	41.50	15.00
	1.555	1.312	1.634	0.591
25	53.40	47.04	48.60	15.00
	2.102	1.852	1.913	0.591



Dimentions			
	09	15	25
A	16.92	25.25	38.96
B	24.99	33.32	47.04
C	30.81	39.14	53.04
D	19.23	27.56	41.30
E	1.0	1.0	1.0
F	10.8	10.8	10.8
G	2.7	2.7	2.7
H	5.84	5.84	5.84

Part No	Positions	Male/Female	Contact Type	Hood Part No	D-Sub Part No
MHDTZK9-DM9P-K	9 Pin	Male	Machined	MHDTZK-9-K	MHDM9SP
MHDTZK15-DM15P-K	15 Pin	Male	Machined	MHDTZK-15-K	MHDM15SP
MHDTZK25-DM25P-K	25 Pin	Male	Machined	MHDTZK-25-K	MHDM25SP
MHDTZK9-DM9S-K	9 Pin	Female	Machined	MHDTZK-9-K	MHDM9SS
MHDTZK15-DM15S-K	15 Pin	Female	Machined	MHDTZK-15-K	MHDM15SS
MHDTZK25-DM25S-K	25 Pin	Female	Machined	MHDTZK-25-K	MHDM25SS