

Tolerance Unless Otherwise Stated  
 0 Decimal Places = ±0.50  
 1 Decimal Places = ±0.25  
 2 Decimal Places = ±0.10

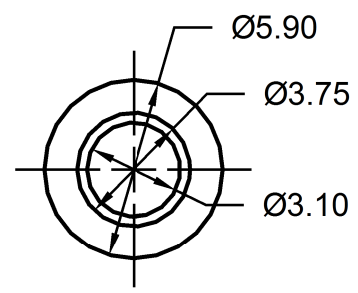
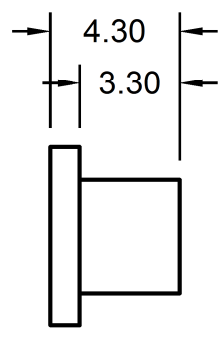
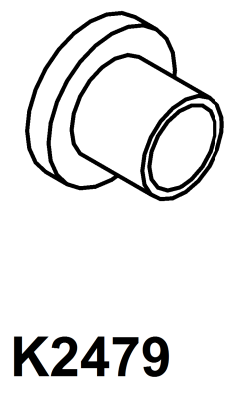
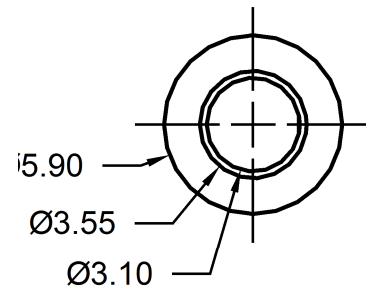
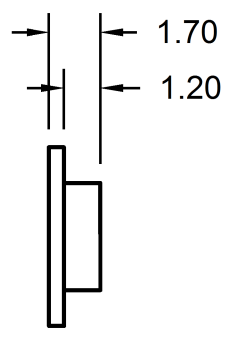
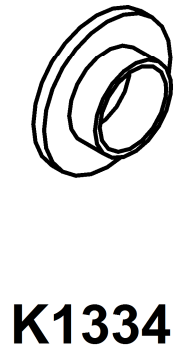
Angles = ±2 Deg.

No not use numeric issue drawings for production

Material  
 Black Nylon

RevNo	Revision note	Date -	Drawn -	Checked -
A	Initial	4/12/2014	MDH	-

Finish  
 -



**DO NOT MANUFACTURE FROM NUMERICAL ISSUE DRAWINGS**

©2014 Soemtron.org	Issue -	A	Name	Date
	Drawn by -		MD Hatch	4/12/2014
	Checked by -		-	-

Dimensions in mm to BS8888, DO NOT SCALE

Soemtron.org 33, Northbrook Road, Aldershot, Hants. GU11 3HE Tel: 01252 330966 - mike@soemtron.org <b>www.soemtron.org</b>	Scale -	Nts	Title Soemtron.org K1334 & K2479 TO220 Bushes Mechanical
	Sheet -	1	
	Next sheet -	-	
	Drawing number -		K1334K2479