



Model 3359
BOURNS® Variable Resistor
Cermet Element

Actual Size

FEATURES

- Low price.
- High power rating: 0.50 watt at 70°C, 0.75 watt at 40°C.
- Infinite resolution.
- Resistance values through 2,000,000 ohms.
- Easily adjusted with any adjustment tool.
- Low temperature coefficient.
- Extended temperature range: -65° to +125°C.
- Resistance stability under humid conditions.
- Small size: "P" version only .228" above printed circuit board.



3359P



3359W

OBSOLETE

STANDARD RESISTANCES

Resistance (Ohms)	Part Number*	
	3359P Printed Circuit Pins	3359W Printed Circuit Pins (Side Adjust)
100	3359P-1-101	3359W-1-101
200	3359P-1-201	3359W-1-201
500	3359P-1-501	3359W-1-501
1,000	3359P-1-102	3359W-1-102
2,000	3359P-1-202	3359W-1-202
5,000	3359P-1-502	3359W-1-502
10,000	3359P-1-103	3359W-1-103

SPECIAL RESISTANCES AVAILABLE FROM 20 TO 2,000,000 OHMS

Resistance (Ohms)	Part Number*	
	3359 Printed Circuit Pins	3359 Printed Circuit Pins (Side Adjust)
20,000	3359P-1-203	3359W-1-203
50,000	3359P-1-503	3359W-1-503
100,000	3359P-1-104	3359W-1-104
200,000	3359P-1-204	3359W-1-204
500,000	3359P-1-504	3359W-1-504
1,000,000	3359P-1-105	3359W-1-105
2,000,000	3359P-1-205	3359W-1-205

*The last three digits of the part number represent the resistance in standard code.

BOURNS® Variable Resistor Model 3359

SPECIFICATIONS

ELECTRICAL CHARACTERISTICS

Standard Resistance Range	100 to 2,000,000 ohms
Resistance Tolerance	±20% standard
Absolute Minimum Resistance	2 ohms
Contact Resistance Variation	3 ohms or ±2% of total resistance maximum
Maximum Voltage Across Element	250 volts
Resistance Change After Solvent Bath in FREON® TFE or Trichloroethane	less than 1.0%

ENVIRONMENTAL CHARACTERISTICS

Power Ratings, 250 Volts Maximum:	
40°C Ambient	0.75 watt
70°C Ambient	0.50 watt
125°C Ambient	0 watt
Operating Temperature Range	-65°C to +125°C
Thermal Shock	1% total resistance shift maximum, 5 cycles at -65° to +125°C

*Registered trademark of Dupont Co.

Temperature Coefficient, Maximum	to 1K, 0 to +300 ppm/°C 1K and up, -50 to +150 ppm/°C
Humidity	Less than 1% change in total resistance after 500 hours at 95% relative humidity, 40°C
Load Life	1,000 hours at 70°C
Resistance Shift, Maximum	±2%
Mechanical Life	500 cycles
Resistance Shift, Maximum	10%

PHYSICAL CHARACTERISTICS

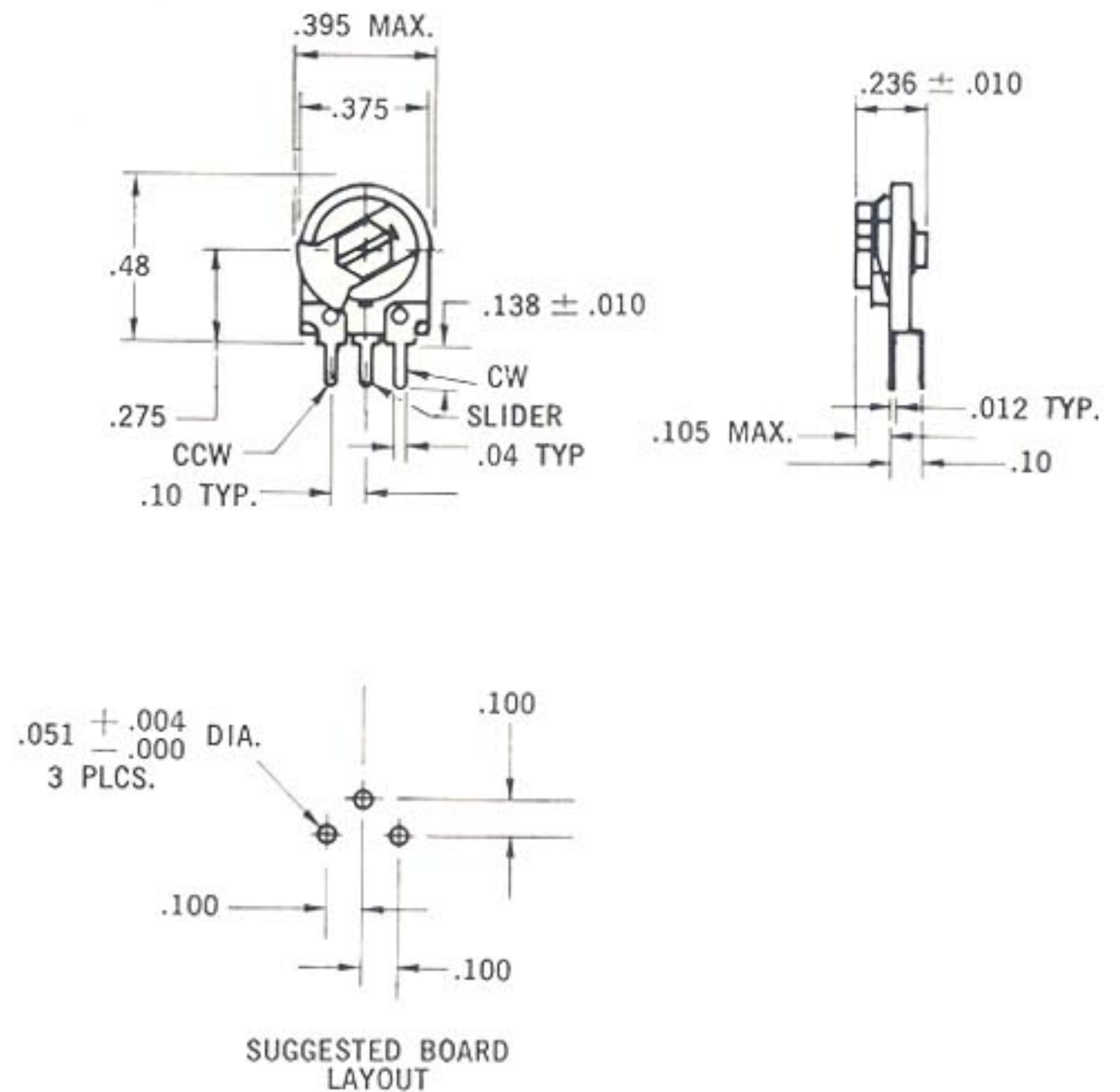
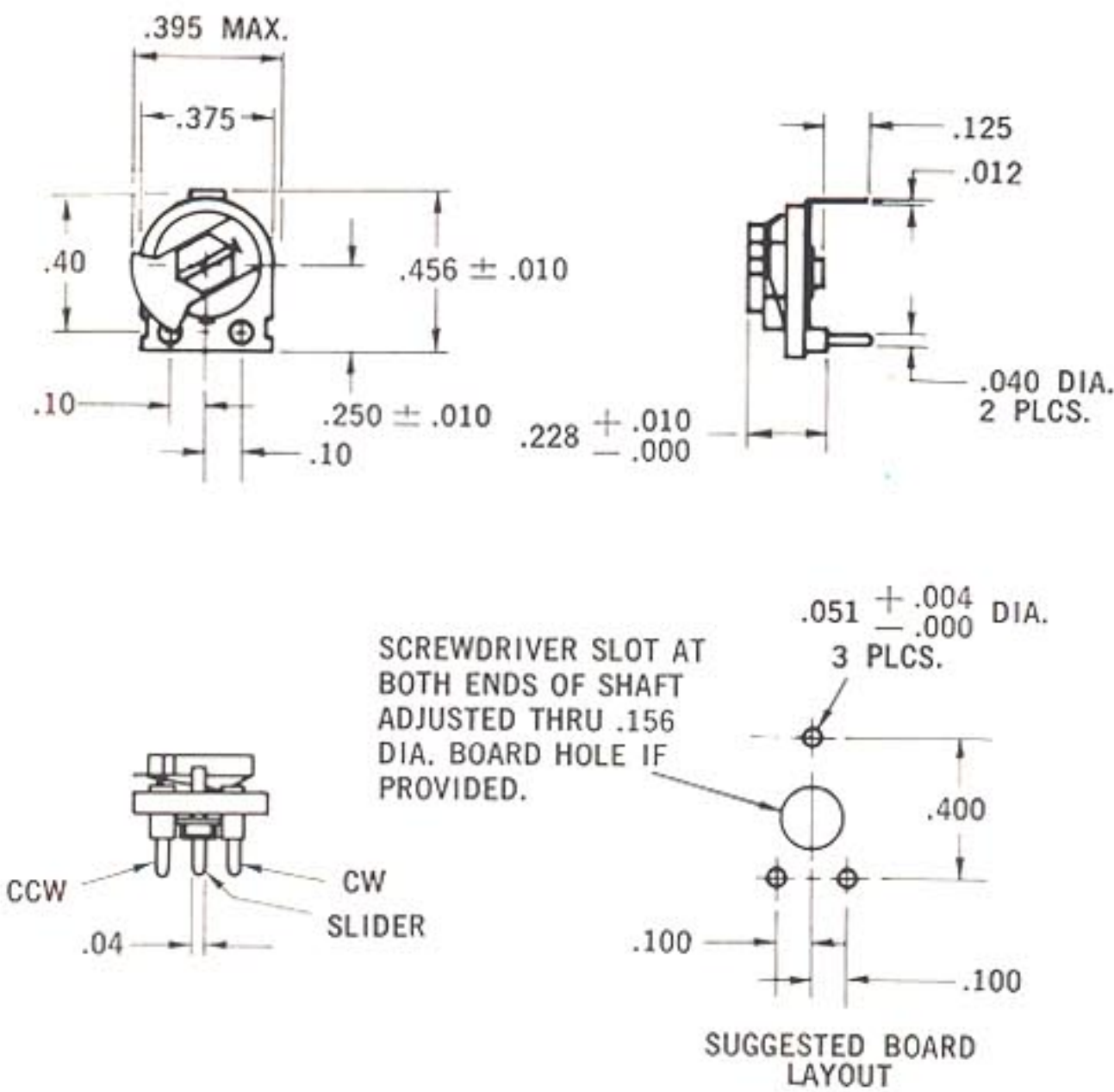
Torque	6 oz.-in. maximum
Markings	Manufacturer's trademark B ®, model number and resistance value
Mechanical Rotation	270° ±5°
Stop Strength	12 oz.-in. minimum
Weight	1.3 grams or 0.046 ounce
Terminals, P and W	Precious metal printed circuit pins

Specifications are subject to change without notice.

OBSOLETE

3359P

3359W



NOTE:
1. SCREWDRIVER SLOT AT BOTH ENDS OF SHAFT

TOLERANCES: EXCEPT WHERE NOTED
DECIMALS: .XX ± .010, XXX ± .005

