



Unitors

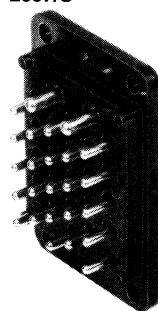
Pattern 102 connectors

These unitors were originally developed under a Government Contract in which reliability was a paramount requirement. The male contacts have a controlled degree of float to facilitate blind engagement, and the configuration is designed to obviate incorrect mating. The mouldings are track resistant, and clearance is provided between the mating faces for air to circulate and dispel any moisture deposited. All unitors have two, heavy current poles, but the 25-pole has a choice of two or four.

L657/P



L657/S



Specification:

Current rating:

Breakdown (d.c.):

Creepage distance:

Contact resistance (maximum):

Insulation resistance:

Capacitance:

Humidity:

Temperature range:

Insertion/withdrawal force (maximum):

Wire sizes (maximum):

Panel thickness:

Materials:

Weight (average, mated pair):

DEF-5321

Small poles, 3 A Large poles, 10 A
(temperature rise $\leq 20^\circ\text{C}$)

At sea level 3 kV,
at 20000 m 750 V

3,1 mm between poles

4,2 mm between any pole and chassis

2 milliohms (small poles)

1,2 milliohms (large poles)

>100 megohms

4 pF (between poles) at 800 Hz

Class H5 (DEF-5011)

-40°C to $+100^\circ\text{C}$ (ambient)

4,4 N per contact

Small poles 1 mm 19 s.w.g.

Large poles 1,7 mm 16 s.w.g.

Flange on wiring side of panel, 3,2 mm

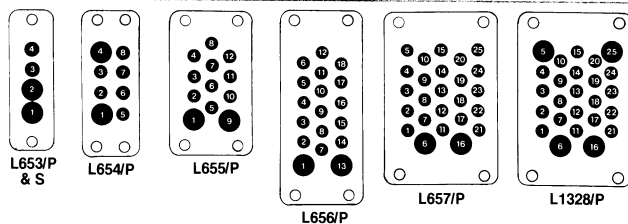
Flange on mating side of panel, no limit

Black nylon-filled phenolic resin mouldings,
silver-plated solid brass pins beryllium
copper sockets. For silver finish quote
part number e.g. L653/P.

L653	8,4 g	L656	27,8 g
L654	13,5 g	L657	32,8 g
L655	19,6 g	L1328	37,2 g

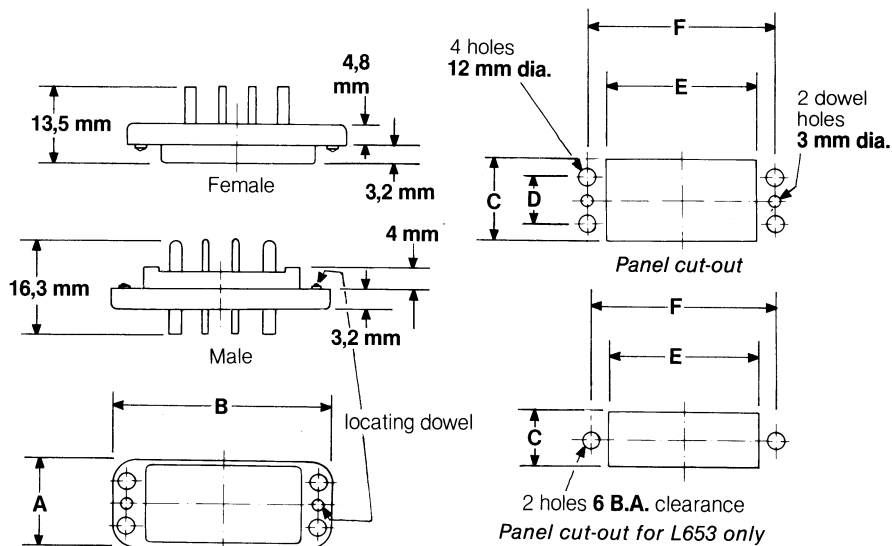
Connectors—multipole

Ordering reference: **L653/P** 4-pole, male **L656/P** 18-pole, male
L653/S 4-pole, female **L656/S** 18-pole, female
L654/P 8-pole, male **L657/P** 25-pole, male
L654/S 8-pole, female **L657/S** 25-pole, female
L655/P 12-pole, male **L1328/P** 25-pole, male
L655/S 12-pole, female **L1328/S** 25-pole, female



Contact identifications Viewed on wiring side.

All plug and socket contacts are numbered on the face and reverse side of mouldings.



Dimensions in mm

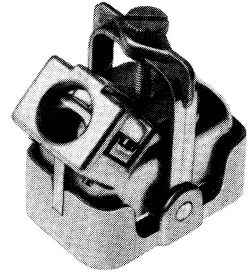
Poles	A	B	C	D	E	F
4	10,3	36,5	9,3	—	25,8	31,8
8	14,7	37,7	13,6	7,9	26,9	32,9
12	21,4	38,1	18,8	12,7	27	32,9
18	21,4	50,8	18,8	12,7	38,5	44,5
25	30,2	44,5	27,4	22,2	32,1	38,1



Unitors, pattern 102

Cable outlets and shroud retainers

The versatility of the unitor range has been extended by the ancillary range of aluminium alloy cable outlets and shroud retainers.



Material:

Aluminium alloy

Ordering reference:

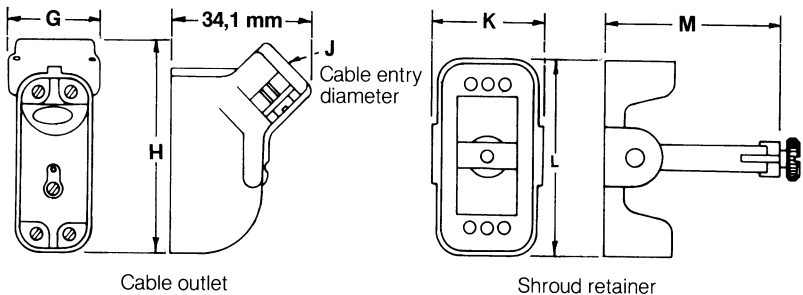
L653/C3 Cable outlet for 4-pole unitor
L653/R3 Shroud retainer 4-pole unitor

L656/C3 Cable outlet for 18-pole unitor
L656/R3 Shroud retainer 18-pole unitor

L654/C3 Cable outlet for 8-pole unitor
L654/R3 Shroud retainer for 8-pole unitor

L657/C3 Cable outlet for 25-pole unitor
L657/R3 Shroud retainer 25-pole unitor
 (including L1328 series)

L655/C3 Cable outlet for 12-pole unitor
L655/R3 Shroud retainer 12-pole unitor



Cable outlet

Shroud retainer

	4-pole	8-pole	12-pole	18-pole	25-pole
	mm	mm	mm	mm	mm
G	20,6	23	24,6	24,6	33,3
H	48,4	48,4	48,4	58,7	52
J	7,9	11,1	12,3	14,7	17,2
K	22,2	26,2	32,5	32,5	41,7
L	44,5	46	46	57,9	52,4
M	43,7	43,7	46	46	46