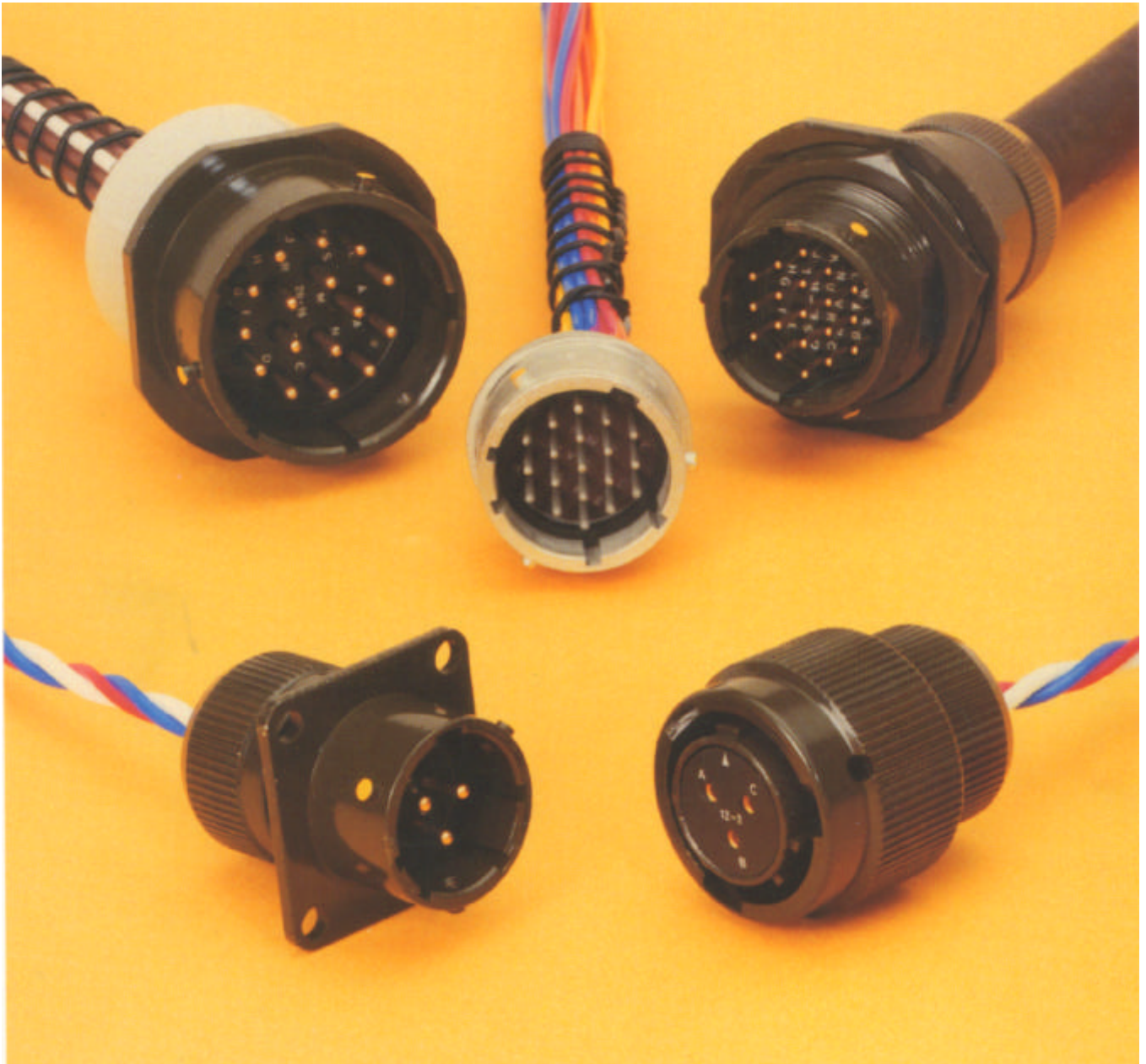


62 GB- Series Plugs

Miniature Bayonet Lock Connectors
Complies with MIL-C-26482

CE-2Pa



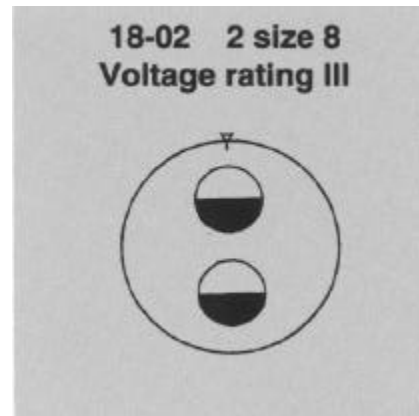
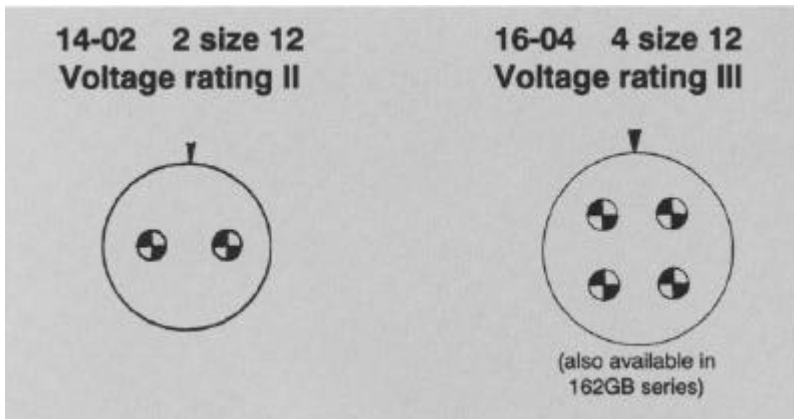
This miniature bayonet lock connector series offers designers important features not found in any other range of connectors.

They are developed and manufactured entirely in the U.K. by AMPHENOL Ltd., and have full qualification approval to British Standards Specification BS 9522 F0017 and British Defence Specification DEF STAN 59-35 (Part 3) Sec. 7.

This catalogue to be used in conjunction with Catalogues:
CE-2Ra – 62GB Series Receptacles
CE-2Aa – 62GB Series Accessories

Amphenol

62GB and Pattern 608 New Planforms



Current:

- (a) Maximum current per individual contact (in isolation)* at ambient temperature of 85°C
Contact size 12: 23 A
- (b) Maximum current per contact through all contacts simultaneously at an ambient temperature of 85°C
Contact size 12: 20 A

Current:

- (a) Maximum current per individual contact (in isolation)* at ambient temperature of 85°C
Contact size 8: 45 A
- (b) Maximum current per contact through all contacts simultaneously at an ambient temperature of 85°C
Contact size 8: 40 A

| | Sea level 1013 mbar á | | | 8500m (27,900ft) 320 mbar | | | 21,340m (70,000ft) 44 mbar | | |
|---|--------------------------|------|------|------------------------------|------|------|-------------------------------|-----|-----|
| | I | II | III | I | II | III | I | II | III |
| Voltage rating Working voltages ** (nominal) | 700 | 1200 | 1500 | 550 | 650 | 800 | 330 | 380 | 450 |
| d.c. or a.c. peak Voltage proof d.c. or a.c. peak | 2100 | 3000 | 3000 | 1100 | 1300 | 1300 | 660 | 760 | 750 |

* i.e. when only one contact per connector is electrically loaded.

á 1 mbar=10² N/m²=100 Pa

** Establishment of electrical safety factors is the responsibility of the user

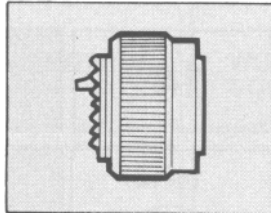
CONTENTS

Page

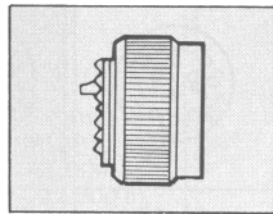
| | |
|---------------------------------|-------|
| Amphenol 62GB Solder Connectors | 4 |
| Schedule of Tests | 5-6 |
| Connector Styles Available | 7 |
| Insert Availability | 8 |
| Ordering 62GB Series Connectors | 10-11 |
| Plugs - Table of Styles | 12-13 |
| Plugs | 14-19 |
| Insert Orientations | 20 |
| Key/Keyway Orientations | 21 |

Connector Styles Available

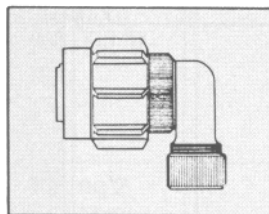
Plugs



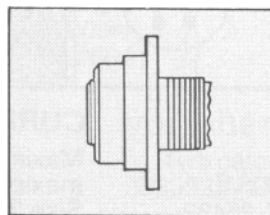
Straight Plug
See Pages 14-17



Grounded Plug
See Page 14

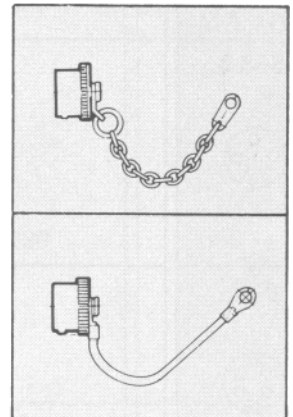


Audio Plug
See Page 18












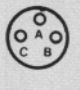

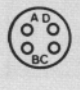
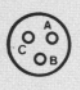



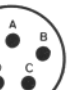




Push on - Pull off
See Page 19

Accessories
See Catalogue CE-2Aa



Insert Availability

| 8 | 10 | 12 | 14 | 16 | 18 | 20 |
|--|--|--|--|--|---|---|
| 8-2*  | 10-6  | 12-10  | 14-12†  | 16-23*  | 18-32  | 20-41  |
| 8-3*  | 10-7  | | 14-15  | 16-26  | | |
| 8-3 3  | | | 14-19  | | | |
| 8-4*  | | | | | | |
| 8-98  | 10-2  | 12-3  | 14-5  | 16-8  | 18-11  | 20-16  |

NOTES

* This insert arrangement is not included in B.S. spec., but is available and listed in MIL-C-26482.

† Due to the arrangement of contacts in the 14-12 insert arrangement it is classified, for current derating, in the shell size range 18-24.

Lettering of inserts shown above corresponds to view of front (mating surface of pin inserts or rear face (cable accessory end) of socket inserts.


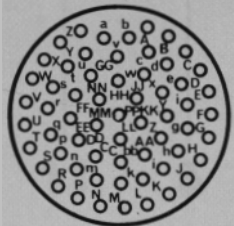
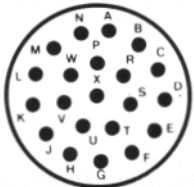
KEY ● No 16 size contacts
○ No 20 size contacts

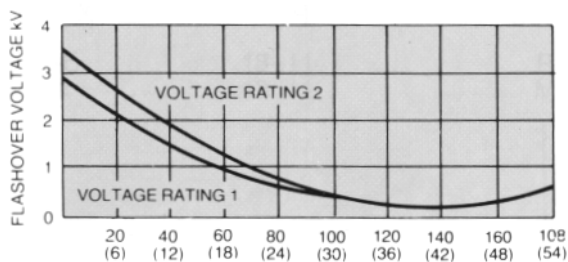
CURRENT RATING

Maximum current per individual contact (in isolation) at a maximum ambient temperature of 85°C: Size 20 contact 7.5A Size 16 contact 13-OA The performance of 62GB Series connectors at all times exceeds the maximum continuous bunched rating of the appropriate size wire, or cable of equivalent temperature rating. This bunched rating is therefore the determining factor. In the case of mixed loadings, the greatest individual load shall be the bunched loading. In any combination of ambient temperature plus temperature rise due to current flow through the contacts, the maximum connector internal hot spot temperature of 125°C must not be exceeded.

That is, when only one contact per connector is loaded.

Insert Availability

| | | VOLTAGE RATINGS | | | |
|--|---|--|----------------------|-----------------------------|---------------------------------|
| 22 | 24 | ALTITUDE | D.C. WORKING VOLTAGE | A.C. WORKING VOLTAGE R.M.S. | PROOF VOLTAGE D.C. OR A.C. PEAK |
| <p>22-55</p>  | <p>24-61</p>  | <p>Rating 1 Sea level</p> <p>300 mb at 20°C 8,500m (27,800 ft)</p> <p>44 mb at 20°C 20,000m (66,000 ft)</p> | 700 | 500 | 2100 |
| <p>22-21</p>  <p>† Available to special order only</p> | | <p>Rating 2 Sea level 300 mb at 20°C 8,500m (27,800 ft) 44 mb at 20°C 20,000m (66,000 ft)</p> | 120 | 850 | 3000 |
| | | | 650 | 460 | 1300 |
| | | | 380 | 270 | 760 |



ALTITUDE-THOUSANDS OF FEET (METRES)
Relationship between flashover voltage and altitude for each voltage rating

VOLTAGE RATINGS

Two categories of voltage rating are specified in BS9522 F0017, F0038 and N0001.

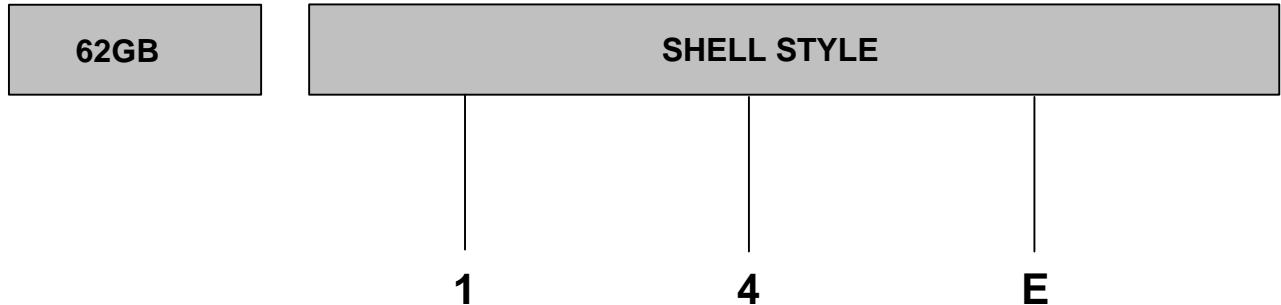
Rating 1 (700V d.c. working at sea-level) Applicable to the high contact density inserts shown in the upper section of the insert availability diagram above.

Rating 2 (1200V d.c. working at sea-level) Applicable to the inserts shown in the lower section of the insert availability diagram.

Altitude derating. Information on voltage derating for operation at altitudes above sea-level can be obtained from the flashover voltage altitude curves on the left.

Ordering 62GB Series Connectors

To obtain the specific connector required write down the connector number from the typical example below. Only inserts shown in the availability chart on p. 10&11 can be specified. All connectors are delivered with protective dust covers



Series designation

62 GB - Aluminium shell
62 GB SS -Stainless steel shell*
62 GB CU - Brass shell*
*consult factory for availability
62GB-XXH-Hermetic mild steel shell.

Specification key

1 - Styles originally specified in MIL-C-26482
5 - Styles exclusive to BS9522 F0017

Shell style

0 - Receptacle wall mounting
1 - Receptacle cable mounting
2 - Receptacle box mounting
3 - Receptacle, solder flange mounting
4 - Receptacle, internally threaded with cable accessories as illustrated, for single hole mounting
6 - Plug cable mounting
7- Receptacle, plain shell, single hole mounting

Environmental code

A - Plain shell, exposed solder buckets. No grommet
E - Insert seal and grommet seal with grommet nut (excluding 12E which has plain shell and no grommet or nut)
F - As (E) but grommet nut has integral strain relief clamp
H - Hermetic seal no cable accessories
J - As (E) but with resilient gland seal and nut for unscreened jacketed cable. No grommet supplied. See pp. 26-27 for accessory to accept screened jacketed cable.
P - Potting construction complete with potting mould
T - Exposed solder buckets. Threaded shell for cable accessories

HOW TO ORDER FROM MS CONNECTOR NUMBERS

Connector numbers in the AMPHENOL and MS numbering systems. Only alternative insert orientations are specified in MIL-C-26482 which does not include alternative key/keyway orientations.

| | | | | | | |
|------|---|----|---|--------|---|---|
| MS31 | - | 14 | E | 18 -11 | P | X |
| 62GB | - | 14 | E | 18 -11 | P | X |

Ordering 62GB Series Connectors

INSERT ARRANGEMENT

18

11

P

B

(044)

Shell size (in sixteenths of an inch) 8, 10, 12, 14, 16
18,20,22,24

Number of contacts
2, 3, 4, 5, 6, 7, 8, 10, 11, 12,
16, 19, 21, 23, 26, 32, 41, 55,
61
* consult factory for availability

Contact Style
P - Pins
S - Sockets For hermetic connectors. P3 denotes pin contacts with solder bucket terminations. (Standard range). P2 denotes pin contacts with flattened and pierced terminations. (Special order).

Orientation
(Omit if normal orientation)
Keys/Keyways: A', B, C, D', E, F, (see p. 31)
Inserts: W,X,Y,Z.(see p56/57)
*Inactive for new designs

Deviations
(044) Rough grip heavy duty coupling ring.
(046) Box mounting plug.
(214) Fitted with extension back shell and strain relief clamp without grommet on F types only
(218) Lever coupling ring
(219) Contacts for flexible punted wrung (57A and 12E only)
(639) Bright cadmium plated shells
(345) Contacts for flexible punted wiring 12H,13H 17H only
(276) Hermetics with gold plated contacts.
(608) Black anodise.
(416) Electroless nickel
(714) Cadmium plate olive drab

HOW TO ORDER FROM B.S. CONNECTOR NUMBERS

Select the connector style by reference to BS9522 F0017 using the code below for identification. Note that the B.S. Specification includes only certain connectors from the table of styles as shown on pp. 8 & 9. Alternative key/keyway orientations are preferred in the BS9522 F0017 Specification to prevent mis-mating. However, rotated inserts are permissible where connectors are required to mate with or replace items to MIL-C-26482 on existing equipment.

62GB - 14E
C2098

18-11
18 11

P
M

B
B

O

Style

Insert Arrangement, see above

M - Pin contacts
F - Socket contacts

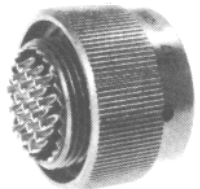
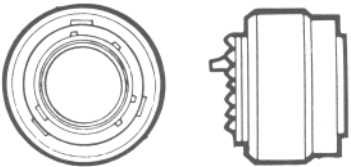
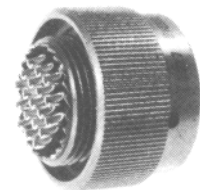
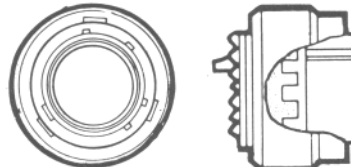
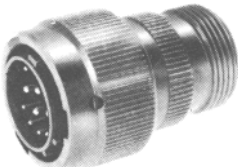
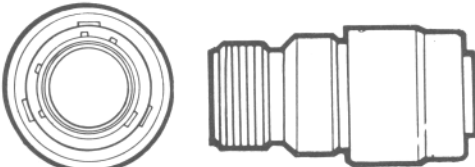
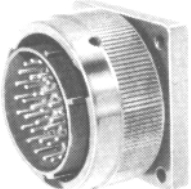
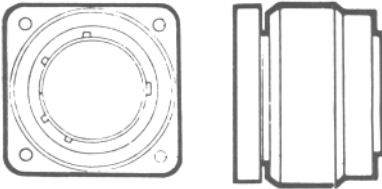
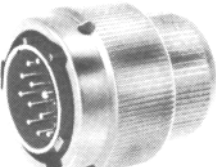
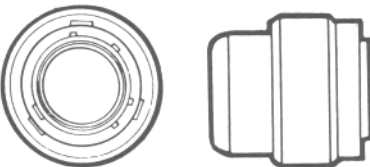
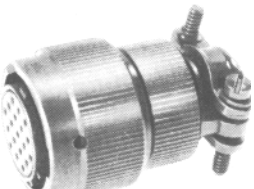
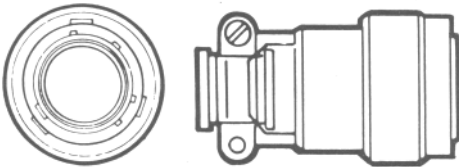
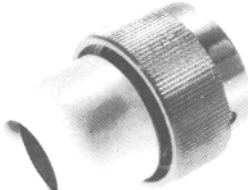

Alternative Key/Key way Orientation

Variant.
O - Standard connector

Plugs

Table of Styles


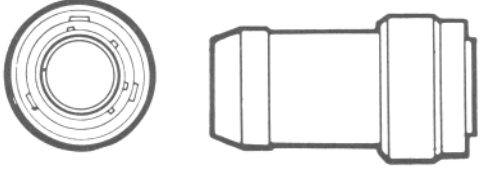
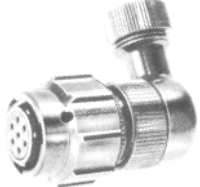
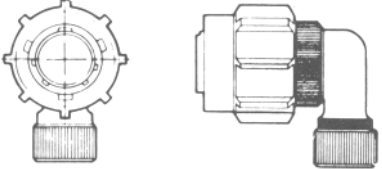
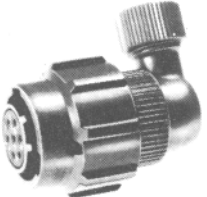
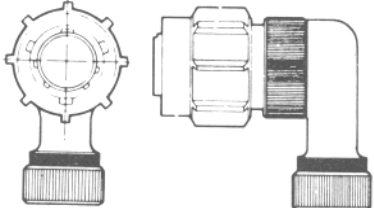
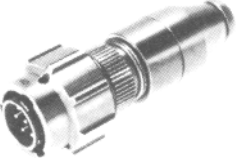
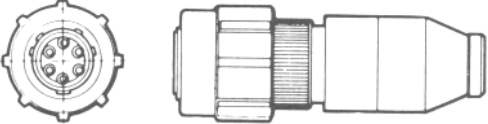

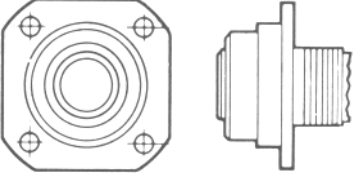
Page No.

| | | | |
|-------------------|---|--|----|
| 62GB-56T |  |  | 14 |
| 62GB-56TG |  |  | 14 |
| 62GB-16A |  |  | 15 |
| 62GB-56T (046) |  |  | 15 |
| 62GB-16E |  |  | 16 |
| 62GB-16F |  |  | 16 |
| 62GB-16P |  |  | 17 |

Plugs

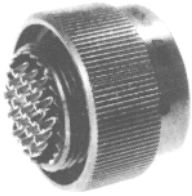
Table of Styles

Page No.

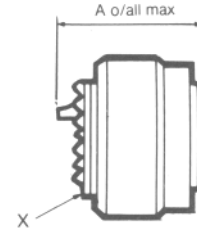
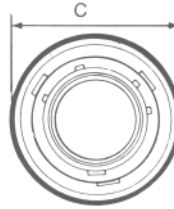
| | | | |
|--------------|---|--|----|
| 62GB-16J |  |  | 17 |
| 62GB-5039-10 |  |  | 18 |
| 62GB-5055-10 |  |  | 18 |
| 62GB-5056-10 |  |  | 18 |
| 62GB-5074 |  |  | 19 |

Plugs

56T



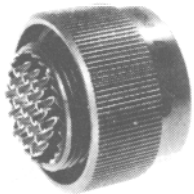
62GB-56T
BS9522 F0017 C2092



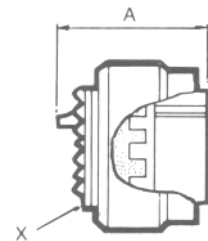
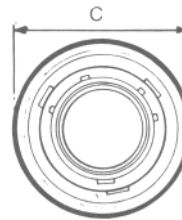
Basic plug with threaded shell to accept standard cable accessories

| Shell Size | A Max | C max | X Thread |
|------------|----------------|----------------|------------------|
| 08 | 0.976 24.79 | 0.750 19.05 | 7/16 - 28 UNEF |
| 10 | 0.976 24.79 | 0.859 21.82 | 9/16 - 24 NEF |
| 12 | 0.976 24.79 | 1.031 26.19 | 11/16 -24NEF |
| 14 | 0.976 24.79 | 1.156 29.36 | 13/16 - 20 UNEF |
| 16 | 0.976 24.79 | 1.281 32.54 | 15/16 - 20 UNEF |
| 18 | 0.976 24.79 | 1.391 35.33 | 1.1 /16 - 18 NEF |
| 20 | 0.976 24.79 | 1.531 38.89 | 1.3/16 - 18 NEF |
| 22 | 0.976 24.79 | 1.656 42.06 | 1.5/16 - 18 NEF |
| 24 | 0.976 24.79 | 1.777 45.14 | 1.7/16 - 18 NEF |

56TG



62GB-56TG
BS9522 F0017 C2093



Basic plug with threaded shell to accept standard cable accessories. Has shell grounding spring fingers

| Shell Size | A max | C max | X Thread |
|------------|----------------|----------------|------------------|
| 08 | 0.976 24.79 | 0.750 19.05 | 7/16 - 28 UNEF |
| 10 | 0.976 24.79 | 0.859 21.82 | 9/16 - 24 NEF |
| 12 | 0.976 24.79 | 1.031 26.19 | 11/16 - 24 NEF |
| 14 | 0.976 24.79 | 1.156 29.36 | 13/16 - 20 UNEF |
| 16 | 0.976 24.79 | 1.281 32.54 | 15/16 - 20 UNEF |
| 18 | 0.976 24.79 | 1.391 35.33 | 1.1 /16 - 18 NEF |
| 20 | 0.976 24.79 | 1.531 38.89 | 1.3/16 - 18 NEF |
| 22 | 0.976 24.79 | 1.656 42.06 | 1.5/16 - 18 NEF |
| 24 | 0.976 24.79 | 1.777 45.14 | 1.7/16 - 18 NEF |

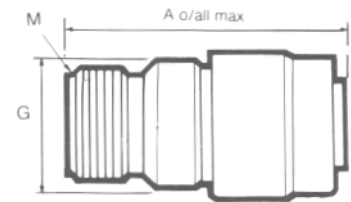
Plugs

16A



62GB-1 6A

Plug with general duty back shell.
No grommet provided.



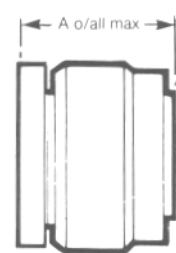
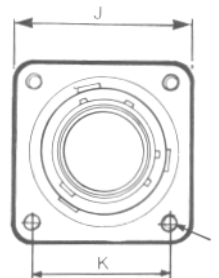
| Shell Size | A max | C max | G max | M Thread |
|------------|-------|-------|-------|-----------------|
| 08 | 1.614 | 0.750 | 0.561 | 1/2 - 28 UNEF |
| | 41.00 | 19.05 | 14.25 | |
| 10 | 1.614 | 0.859 | 0.686 | 5/8 - 24 NEF |
| | 41.00 | 21.82 | 17.43 | |
| 12 | 1.614 | 1.031 | 0.811 | 3/4 - 20 UNEF |
| | 41.00 | 26.19 | 20.60 | |
| 14 | 1.614 | 1.156 | 0.936 | 7/8 - 20 UNEF |
| | 41.00 | 29.36 | 23.78 | |
| 16 | 1.614 | 1.281 | 1.061 | 1 - 20 UNEF |
| | 41.00 | 32.54 | 26.95 | |
| 18 | 1.614 | 1.391 | 1.186 | 1.3/16 - 18 NEF |
| | 41.00 | 35.33 | 30.13 | |
| 20 | 1.614 | 1.531 | 1.311 | 1.3/16 - 18 NEF |
| | 41.00 | 38-89 | 33.30 | |
| 22 | 1.614 | 1.656 | 1.436 | 1.7/16 - 18 NEF |
| | 41.00 | 42.06 | 36.75 | |
| 24 | 1.658 | 1.777 | 1.561 | 1.7116 - 18 NEF |
| | 42.11 | 45.14 | 39.65 | |

56T



62GB-56T(046)

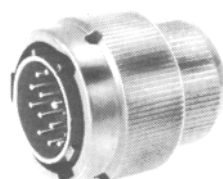
Box-mounting plug. Available for shell size 16:
other sizes to special order. Cable accessories
cannot be fitted.



| Shell Size | A max | J max | K | L |
|------------|-------|-------|-------|---------|
| 16 | 1.042 | 1.317 | 1.000 | 6.32 NC |
| | 26.47 | 33.45 | 25.40 | |
| 20 | 1.042 | 1.625 | 1.250 | 6.32 NC |
| | 26.47 | 41.28 | 31.75 | |
| 22 | 1.042 | 1.625 | 1.250 | 6.32 NC |
| | 26.47 | 41.28 | 31.75 | |

Plugs

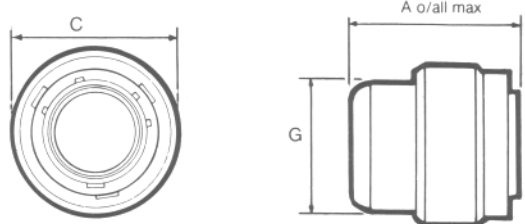
16E



62GB-16E

MIL - C26482 MS3116E

Plug with grommet and grommet nut



| Shell Size | A max | C max | G max |
|------------|-------|-------|--------|
| 08 | 1.281 | 0.750 | 0.561 |
| | 32.54 | 1.05 | 14.25 |
| 10 | 1.281 | 0.859 | 0.686 |
| | 32.54 | 21.82 | 17.431 |
| 12 | 1.281 | 1.031 | 0.811 |
| | 32.54 | 26.19 | 20.60 |
| 14 | 1.281 | 1.156 | 0.936 |
| | 32.54 | 29.36 | 23.78 |
| 16 | 1.281 | 1.281 | 1.061 |
| | 32.54 | 32.54 | 26.95 |
| 18 | 1.281 | 1.391 | 1.186 |
| | 32.54 | 35.33 | 30.13 |
| 20 | 1.281 | 1.531 | 1.311 |
| | 32.54 | 38.89 | 33.30 |
| 22 | 1.281 | 1.656 | 1.436 |
| | 32.54 | 42.06 | 36.75 |
| 24 | 1.281 | 1.777 | 1.561 |
| | 32.54 | 45.14 | 39.65 |

16F



62GB-16F

MIL - C26482 MS3116F

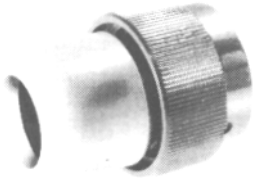
Plug with grommet and grommet nut fitted with integral strain relief clamp.



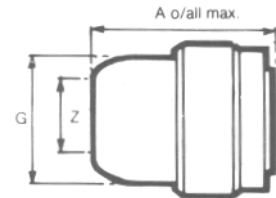
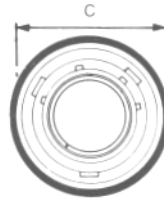
| Shell Size | A max | C dia max | G dia max | H ± 0.005 (± 0.13) |
|------------|-------|-----------|-----------|--------------------|
| 08 | 1.752 | 0.750 | 0.828 | 0.156 |
| | 44.50 | 19.05 | 21.03 | 3.96 |
| 10 | 1.752 | 0.859 | 0.891 | 0.188 |
| | 44.50 | 21.82 | 22.63 | 4.78 |
| 12 | 1.752 | 1.031 | 1.016 | 0.312 |
| | 44.50 | 26.19 | 25.81 | 7.93 |
| 14 | 1.726 | 1.156 | 1.141 | 0.375 |
| | 43.84 | 29.36 | 28.97 | 9.53 |
| 16 | 1.866 | 1.281 | 1.203 | 0.500 |
| | 47.40 | 32.54 | 30.56 | 12.70 |
| 18 | 1.866 | 1.391 | 1.426 | 0.625 |
| | 47.40 | 35.33 | 36.22 | 15.88 |
| 20 | 2.040 | 1.531 | 1.426 | 0.625 |
| | 51.81 | 38.89 | 36.22 | 15.88 |
| 22 | 2.040 | 1.656 | 1.567 | 0.750 |
| | 51.81 | 42.06 | 39.80 | 19.05 |
| 24 | 2.178 | 1.777 | 1.735 | 0.800 |
| | 55.32 | 45.14 | 44.07 | 20.32 |

Plugs

16P



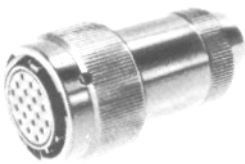
62GB-16P
MIL-C26482 MS3116P



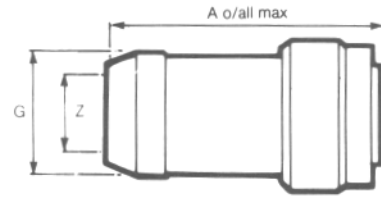
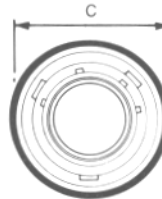
For potted seal. Supplied complete with detachable potting mould and location ring.

| Shell Size | A max | C max | G max | Z min |
|------------|----------------|----------------|----------------|----------------|
| 08 | 1.306 33.17 | 0.750 19.05 | 0.572 14.53 | 0.260 6.60 |
| 10 | 1.415 35.94 | 0.859 21.82 | 0.666 16.92 | 0.463 11.76 |
| 12 | 1.384 35.15 | 1.031 26.19 | 0.822 20.88 | 0.557 14.14 |
| 14 | 1.384 35.15 | 1.156 29.36 | 0.907 23.04 | 0.590 14.99 |
| 16 | 1.384 35.15 | 1.281 32.54 | 1.040 26.41 | 0.713 18.11 |
| 18 | 1.384 35.15 | 1.391 35.33 | 1.165 29.59 | 0.835 22.21 |
| 20 | 1.539 39.09 | 1.531 38.89 | 1.285 32.64 | 1.015 25.78 |
| 22 | 1.539 39.09 | 1.656 42.06 | 1.400 35.56 | 1.015 25.78 |
| 24 | 1.602 40.69 | 1.777 45.14 | 1.540 39.12 | 1.265 32.13 |

16J



62GB - 16J



Plug with cable clamp for unscreened jacketed cable. No grommet supplied.

| Shell Size | A max | C max | G max | Z min | Z max |
|------------|----------------|----------------|----------------|----------------|----------------|
| 08 | 1.836 46.64 | 0.750 19.05 | 0.561 14.25 | 0.168 4.28 | 0.230 5.84 |
| 10 | 1.836 46.64 | 0.859 21.82 | 0.686 17.43 | 0.205 5.21 | 0.312 7.93 |
| 12 | 1.937 49.20 | 1.031 26.19 | 0.811 20.60 | 0.388 8.59 | 0.442 11.23 |
| 14 | 2.137 54.28 | 1.156 29.36 | 0.936 23.78 | 0.416 10.57 | 0.539 13.69 |
| 16 | 2.337 59.36 | 1.281 32.54 | 1.061 26.95 | 0.550 13.97 | 0.616 15.65 |
| 18 | 2.537 64.45 | 1.391 35.33 | 1.186 30.13 | 0.600 15.24 | 0.672 17.07 |
| 20 | 2.758 70.05 | 1.531 38.89 | 1.311 33.30 | 0.635 16.13 | 0.747 18.98 |
| 22 | 2.958 75.13 | 1.656 42.06 | 1.436 36.75 | 0.670 17.02 | 0.846 21.49 |
| 24 | 3.002 76.25 | 1.777 45.14 | 1.561 39.65 | 0.740 18.80 | 0.894 22.71 |

Plugs

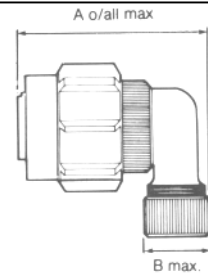
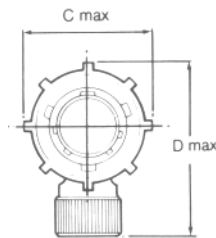
5039



62GB-5039-10

SD/C 235 155 - X
SD/C 235 156 - X

Low profile, solder termination plug with 90° screened cable outlet.



| Shell Size | A max | B max | C max | D max |
|------------|----------------|----------------|----------------|----------------|
| 10 | 1.473 37.41 | 0.500 12.70 | 0.980 24.89 | 1.500 38.10 |

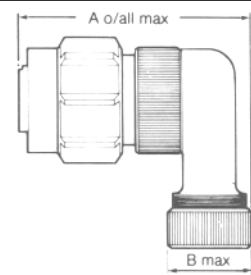
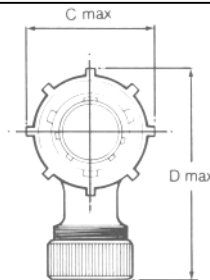
5055



62GB-5055-10

SD/2 235 193 - X

Low profile solder termination plug with size 12 90° screened cable outlet.



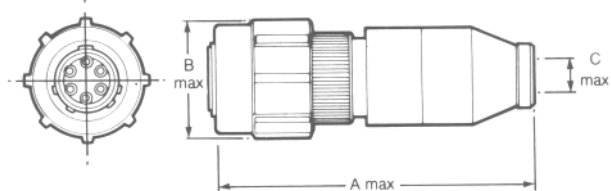
| Shell Size | A max | B max | C max | D max |
|------------|----------------|----------------|----------------|----------------|
| 10 | 1.800 45.72 | 0.655 16.64 | 0.980 24.89 | 1.800 45.72 |

5056



62GB-5056-10

Audio plug with solder termination



| Shell Size | A max | B max | C max |
|------------|----------------|--------------------------------|---------------|
| 10 | 2.375 60.33 | 0.979 / 0.969 24.87 / 24.61 | 0.310 7.87 |

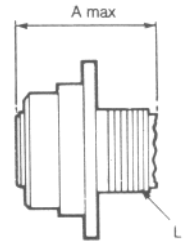
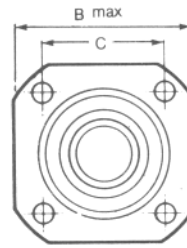
Plugs

5074



62GB-5074

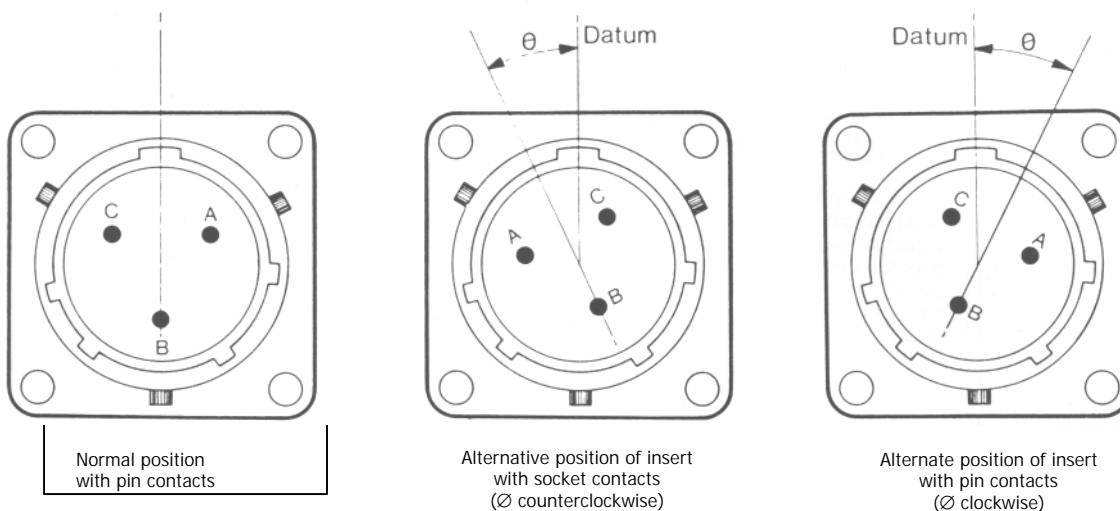
Flange mounting push/pull plug with threaded shell to accept standard cable accessories.



| Shell Size | A max | B max | C | L |
|------------|----------------|----------------|----------------|---------------|
| 10 | 0.912 23.17 | 1.125 28.57 | 0.866 22.00 | 9/16 - 24 NEF |
| 12 | 0.912 23.17 | 1.218 30.93 | 0.969 24.61 | 9/16 - 24 NEF |
| 14 | 0.912 23.17 | 1.312 33.32 | 1.062 26.97 | 9/16 - 24 NEF |

Insert Orientations

For M I L-C-26482 and for replacement purposes in BS9522 FOO 17

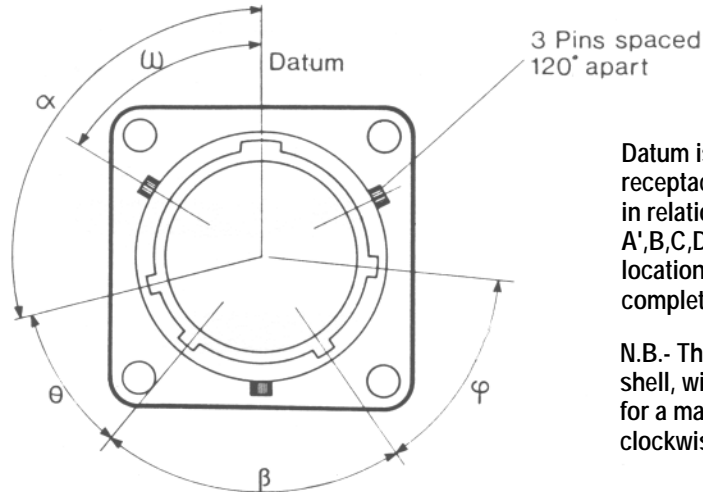


Each diagram shows mating face of insert.

| Insert Arrangement | Normal | Orientation θ (degrees) | | | |
|--------------------|--------|--------------------------------|-----|-----|-----|
| | | W | X | Y | Z |
| 8-2 | 0 | 58 | 122 | - | - |
| 8-3 | 0 | 60 | 210 | - | - |
| 8-33 | 0 | 90 | - | - | - |
| 8-4 | 0 | 45 | - | - | - |
| 8-98 | 0 | - | - | - | - |
| 10-2 | 0 | - | - | - | - |
| 10-6 | 0 | 90 | - | - | - |
| 10-7 | 0 | - | - | - | - |
| 12-3 | 0 | - | - | 180 | - |
| 12-10 | 0 | 60 | 155 | 270 | 295 |
| 14-5 | 0 | 40 | 92 | 184 | 273 |
| 14-12 | 0 | 43 | 90 | - | - |
| 14-15 | 0 | 17 | 110 | 155 | 234 |
| 14-19 | 0 | 30 | 165 | 315 | - |
| 16-18 | 0 | 54 | 152 | 180 | 331 |
| 16-23 | 0 | 158 | 270 | - | - |
| 16-26 | 0 | 60 | - | 275 | 338 |
| 18-11 | 0 | 62 | 119 | 241 | 340 |
| 18-32 | 0 | 85 | 138 | 222 | 265 |
| 20-16 | 0 | 238 | 318 | 333 | 347 |
| 20-41 | 0 | 45 | 126 | 225 | - |
| 22-21 | 0 | 16 | 135 | 175 | 349 |
| 22-55 | 0 | 30 | 142 | 226 | 314 |
| 24-61 | 0 | 90 | 180 | 270 | 324 |

Key/Keyway Orientations

For BS9522 F0017



Datum is always taken from major key or keyway. In receptacles the major keyway always remains fixed in relation to the mounting flange. For the A',B,C,D',E and F orientations, the three bayonet locations and associated minor keyways are rotated complete, in accordance with the table below.

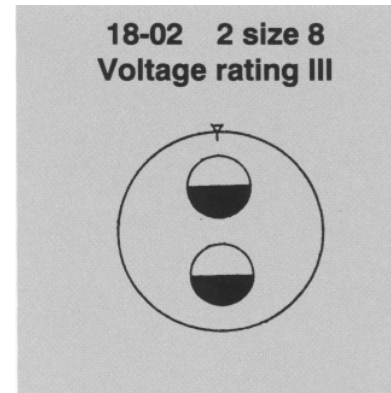
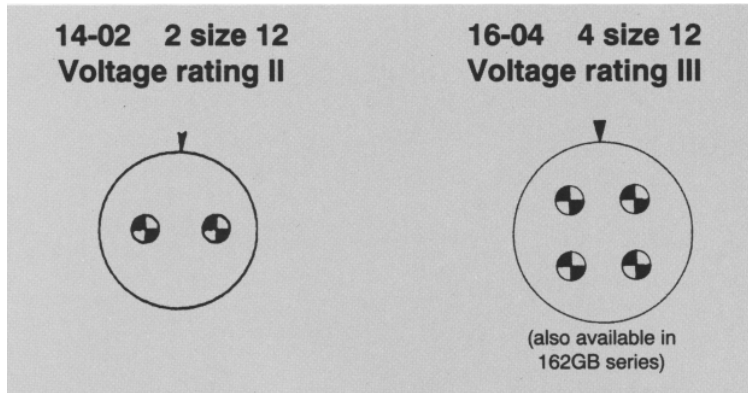
N.B.- The accompanying diagram shows a receptacle shell, with keyways. Corresponding key orientations for a mating plug shell are therefore always clockwise.

| Shell Size | Values for ω (degrees) | | | | | | | Values for θ (degrees) | | | | | | Values for β (degrees) | | | | | | | |
|------------|-------------------------------|-----|----|-----|-----|-----|-----|-------------------------------|----|----|----|----|----|------------------------------|----|-----|----|-----|----|-----|----|
| | N | A* | B | C | D* | E | F | N | A* | B | C | D* | E | F | N | A* | B | C | D* | E | F |
| 8 | 105 | 92 | - | - | 118 | 118 | 82 | 35 | 35 | - | - | 35 | 30 | 50 | 75 | 75' | - | - | 75 | 100 | 75 |
| 10 | 105 | 95 | 85 | 125 | 115 | 115 | 85 | 35 | 35 | 35 | 35 | 35 | 30 | 50 | 75 | 75 | 75 | 75 | 75 | 100 | 75 |
| 12 | 105 | 97 | 89 | 121 | 113 | 115 | 85 | 35 | 35 | 35 | 35 | 35 | 30 | 50 | 75 | 75 | 75 | 75 | 75 | 100 | 75 |
| 14 | 105 | 98 | 91 | 119 | 112 | 75 | 120 | 35 | 35 | 35 | 35 | 35 | 30 | 50 | 75 | 75 | 75 | 75 | 75 | 100 | 75 |
| 16 | 105 | 99 | 93 | 117 | 111 | 75 | 120 | 35 | 35 | 35 | 35 | 35 | 30 | 50 | 75 | 75 | 75 | 75 | 75 | 100 | 75 |
| 18 | 105 | 100 | 95 | 115 | 110 | 75 | 120 | 35 | 35 | 35 | 35 | 35 | 30 | 50 | 75 | 75 | 75 | 75 | 75 | 100 | 75 |
| 20 | 105 | 100 | 95 | 115 | 110 | 75 | 120 | 35 | 35 | 35 | 35 | 35 | 30 | 50 | 75 | 75 | 75 | 75 | 75 | 100 | 75 |
| 22 | 105 | 101 | 97 | 113 | 109 | 75 | 120 | 35 | 35 | 35 | 35 | 35 | 30 | 50 | 75 | 75 | 75 | 100 | 75 | 75 | 75 |
| 24 | 105 | 101 | 97 | 113 | 109 | 75 | 120 | 35 | 35 | 35 | 35 | 35 | 30 | 50 | 75 | 75 | 75 | 75 | 75 | 100 | 75 |

| Shell Size | Values for ϕ (degrees) Orientation | | | | | | | Values for ω (degrees) Orientation | | | | | | |
|------------|--|----|----|----|----|----|----|--|----|----|----|----|----|----|
| | N | A* | B | C | D* | E | F | N | A* | B | C | D* | E | F |
| 8 | 50 | 50 | 50 | 50 | 50 | 30 | 45 | 60 | 47 | - | - | 73 | 73 | 47 |
| 10 | 50 | 50 | 50 | 50 | 50 | 30 | 45 | 60 | 50 | 40 | 80 | 70 | 70 | 50 |
| 12 | 50 | 50 | 50 | 50 | 50 | 30 | 45 | 60 | 52 | 44 | 76 | 68 | 70 | 50 |
| 14 | 50 | 50 | 50 | 50 | 50 | 30 | 35 | 60 | 53 | 46 | 74 | 67 | 30 | 75 |
| 16 | 50 | 50 | 50 | 50 | 50 | 30 | 35 | 60 | 54 | 48 | 72 | 66 | 30 | 75 |
| 18 | 50 | 50 | 50 | 50 | 50 | 30 | 35 | 60 | 55 | 50 | 70 | 65 | 30 | 75 |
| 20 | 50 | 50 | 50 | 50 | 50 | 30 | 35 | 60 | 55 | 50 | 70 | 65 | 30 | 75 |
| 22 | 50 | 50 | 50 | 50 | 50 | 30 | 35 | 60 | 56 | 52 | 68 | 64 | 30 | 75 |
| 24 | 50 | 50 | 50 | 50 | 50 | 30 | 35 | 60 | 56 | 52 | 68 | 64 | 30 | 75 |

* now inactive for new designs but available for replacement purposes. Superseded in BS9522 F0017 by orientations E and F.

62GB and Pattern 608 New Planforms



Current:

- (a) Maximum current per individual contact (in isolation)* at ambient temperature of 85°C
Contact size 12: 23 A
- (b) Maximum current per contact through all contacts simultaneously at an ambient temperature of 85°C
Contact size 12: 20 A

Current:

- (a) Maximum current per individual contact (in isolation)* at ambient temperature of 85°C
Contact size 8: 45 A
- (b) Maximum current per contact through all contacts simultaneously at an ambient temperature of 85°C
Contact size 8: 40 A

| | Sea level 1013 mbar † | | | 8500m (27,900ft) 320 mbar | | | 21,340m (70,000ft) 44 mbar | | |
|---|--------------------------|------|------|------------------------------|------|------|-------------------------------|-----|-----|
| | I | II | III | I | II | III | I | II | III |
| Voltage rating Working voltages ** (nominal) d.c. or a.c. peak | 700 | 1200 | 1500 | 550 | 650 | 800 | 330 | 380 | 450 |
| Voltage proof d.c. or a.c. peak | 2100 | 3000 | 3000 | 1100 | 1300 | 1300 | 660 | 760 | 750 |

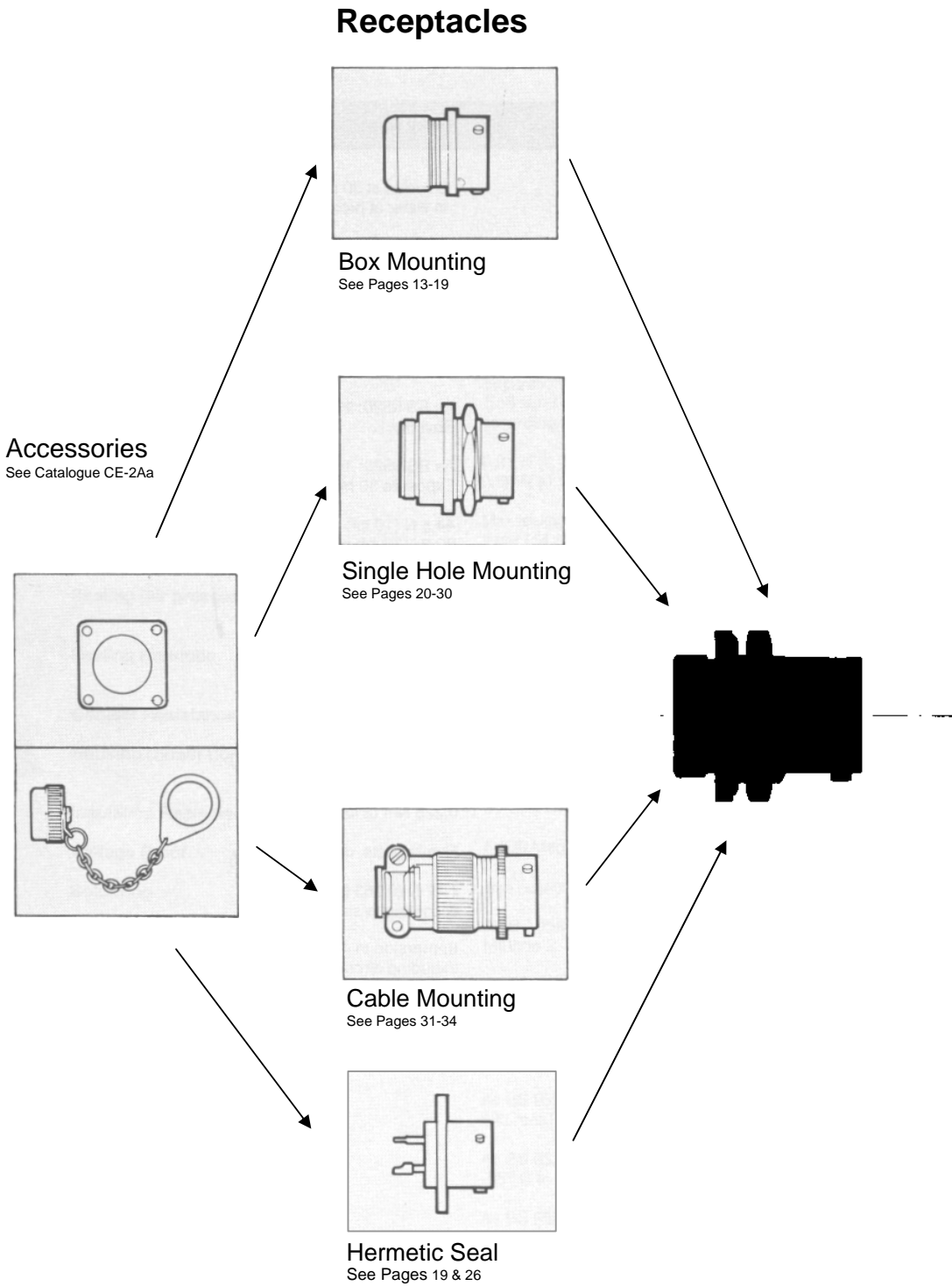
* i.e. when only one contact per connector is electrically loaded.

† 1 mbar=10² N/m²=100 Pa

** Establishment of electrical safety factors is the responsibility of the user

| CONTENTS | Page |
|--|-------------|
| Amphenol 62GB Solder Connectors | 4 |
| Schedule of Tests | 5-6 |
| Connector Styles Available | 7 |
| Insert Availability | 9-10 |
| Ordering 62GB Series Connectors | 11-12 |
| Box Mounting Receptacles - Table of Styles | 13-14 |
| Box Mounting Receptacles | 15-19 |
| Single Hole Fixing Receptacles - Table of Styles | 20-22 |
| Single Hole Fixing Receptacles | 23-30 |
| Cable Mounting Receptacles - Table of Styles | 31 |
| Cable Mounting Receptacles | 32-34 |
| Insert Orientations | 35 |
| Key/Keyway Orientations | 36 |

Connector Styles Available



Insert Availability

| 8 | 10 | 12 | 14 | 16 | 18 | 20 |
|----------|----------|-----------|------------|------------|-----------|-----------|
| 8-2* | 10-6 | 12-10 | 14-12† | 16-23* | 18-32 | 20-41 |
| 8-3* | 10-7 | | 14-15 | 16-26 | | |
| 8-33 | | | 14-19 | | | |
| 8-4* | | | | | | |
| 8-98 | 10-2 | 12-3 | 14-5 | 16-8 | 18-11 | 20-16 |

NOTES

* This insert arrangement is not included in B.S. spec., but is available and listed in MIL-C-26482.

† Due to the arrangement of contacts in the 14-12 insert arrangement it is classified, for current derating, in the shell size range 18-24.

Lettering of inserts shown above corresponds to view of front (mating surface of pin inserts or rear face (cable accessory end) of socket inserts.

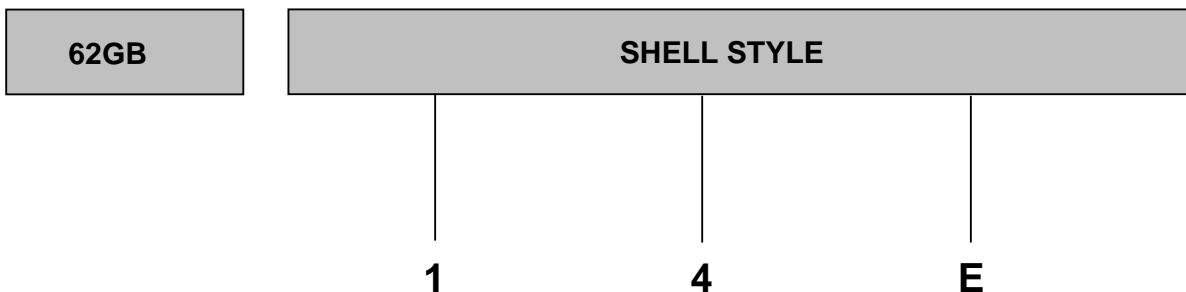
KEY ● No 16 size contacts
○ No 20 size contacts

CURRENT RATING

Maximum current per individual contact (in isolation) at a maximum ambient temperature of 85°C: Size 20 contact 7.5A Size 16 contact 13-0A The performance of 62GB Series connectors at all times exceeds the maximum continuous bunched rating of the appropriate size wire, or cable of equivalent temperature rating. This bunched rating is therefore the determining factor. In the case of mixed loadings, the greatest individual load shall be the bunched loading. In any combination of ambient temperature plus temperature rise due to current flow through the contacts, the maximum connector internal hot spot temperature of 125°C must not be exceeded. That is, when only one contact per connector is loaded.

Ordering 62GB Series Connectors

To obtain the specific connector required write down the connector number from the typical example below. Only inserts shown in the availability chart on p. 10&11 can be specified. All connectors are delivered with protective dust covers



Series designation

62 GB - Aluminium shell
62 GB SS -Stainless steel shell*
62 GB CU - Brass shell*
*consult factory for availability
62GB-XXH-Hermetic mild steel shell.

Specification key

1 - Styles originally specified in MIL-C-26482
5 - Styles exclusive to BS9522 F0017

Shell style

0 - Receptacle wall mounting
1 - Receptacle cable mounting
2 - Receptacle box mounting
3 - Receptacle, solder flange mounting
4 - Receptacle, internally threaded with cable accessories as illustrated, for single hole mounting
6 - Plug cable mounting
7- Receptacle, plain shell, single hole mounting

Environmental code

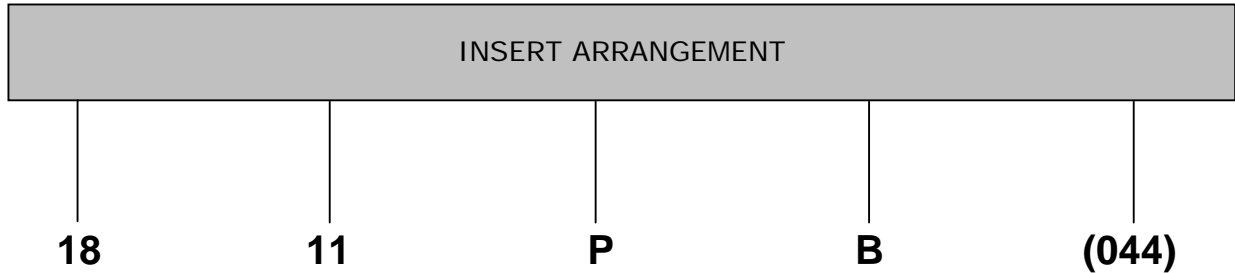
A - Plain shell, exposed solder buckets. No grommet
E - Insert seal and grommet seal with grommet nut (excluding 12E which has plain shell and no grommet or nut)
F - As (E) but grommet nut has integral strain relief clamp
H - Hermetic seal no cable accessories
J - As (E) but with resilient gland seal and nut for unscreened jacketed cable. No grommet supplied. See pp. 26-27 for accessory to accept screened jacketed cable.
P - Potting construction complete with potting mould
T - Exposed solder buckets. Threaded shell for cable accessories

HOW TO ORDER FROM MS CONNECTOR NUMBERS

Connector numbers in the AMPHENOL and MS numbering systems. Only alternative insert orientations are specified in MIL-C-26482 which does not include alternative key/keyway orientations.

| | | | | | | |
|------|---|----|---|--------|---|---|
| MS31 | - | 14 | E | 18 -11 | P | X |
| 62GB | - | 14 | E | 18 -11 | P | X |

Ordering 62GB Series Connectors



Shell size (in sixteenths of an inch) 8, 10, 12, 14, 16, 18, 20, 22, 24

Number of contacts
2, 3, 4, 5, 6, 7, 8, 10, 11, 12, 16, 19, 21, 23, 26, 32, 41, 55, 61
* consult factory for availability

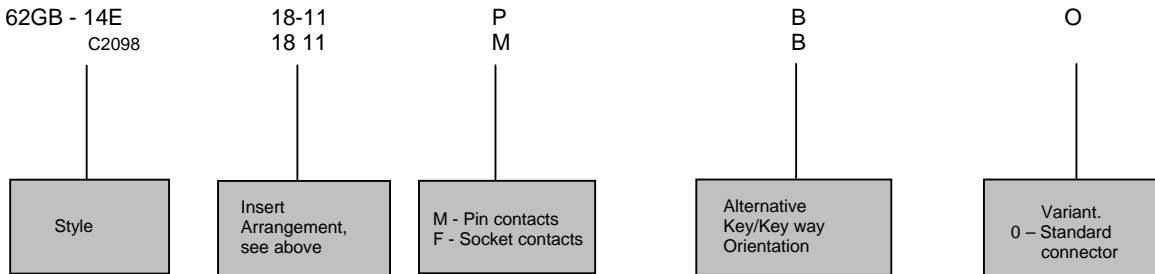
Contact Style
P - Pins
S - Sockets For hermetic connectors. P3 denotes pin contacts with solder bucket terminations. (Standard range). P2 denotes pin contacts with flattened and pierced terminations. (Special order).

Orientation
(Omit if normal orientation)
Keys/Keyways: A, B, C, D, E, F, (see p. 31)
Inserts: W, X, Y, Z. (see p56/57)
*Inactive for new designs

Deviations
(044) Rough grip heavy duty coupling ring.
(046) Box mounting plug.
(214) Fitted with extension back shell and strain relief clamp without grommet on F types only
(218) Lever coupling ring
(219) Contacts for flexible punted wrung (57A and 12E only)
(639) Bright cadmium plated shells
(345) Contacts for flexible punted wiring 12H, 13H 17H only
(276) Hermetics with gold plated contacts.
(608) Black anodise.
(416) Electroless nickel
(714) Cadmium plate olive drab

HOW TO ORDER FROM B.S. CONNECTOR NUMBERS

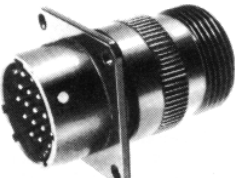
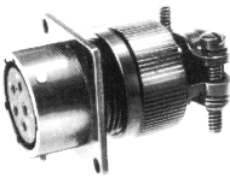
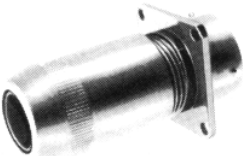
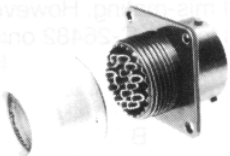
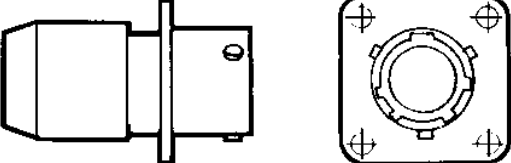
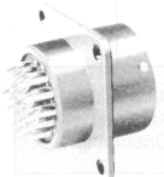
Select the connector style by reference to BS9522 F0017 using the code below for identification. Note that the B.S. Specification includes only certain connectors from the table of styles as shown on pp. 8 & 9. Alternative key/keyway orientations are preferred in the BS9522 F0017 Specification to prevent mis-mating. However, rotated inserts are permissible where connectors are required to mate with or replace items to MIL-C-26482 on existing equipment.



Box Mounting Receptacles

Table of Styles

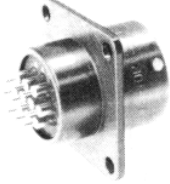
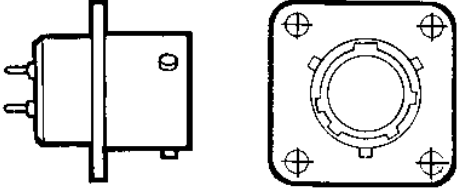
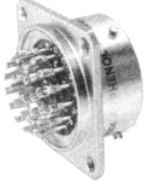
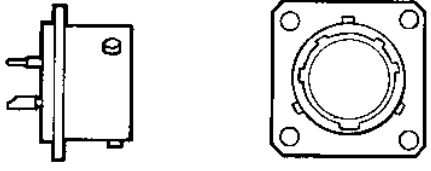
Page No.

| | | | |
|----------|---|--|----|
| 62GB-50T |  |  | 15 |
| 62GB-10A |  |  | 15 |
| 62GB-10E |  |  | 16 |
| 62GB-10F |  |  | 16 |
| 62GB-10J |  |  | 17 |
| 62GB-10P |  |  | 17 |
| 62GB-12E |  |  | 18 |

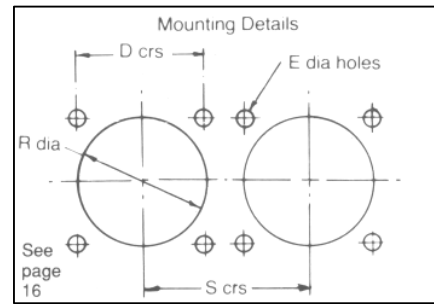
Box Mounting Receptacles

Table of Styles

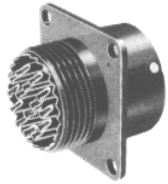
Page No.

| | | | |
|-----------------------------------|---|--|-----------|
| <p>62GB-12E(219)</p> |  |  | <p>18</p> |
| <p>62GB-12H Hermetic Seal</p> |  |  | <p>19</p> |

Box Mounting Receptacles

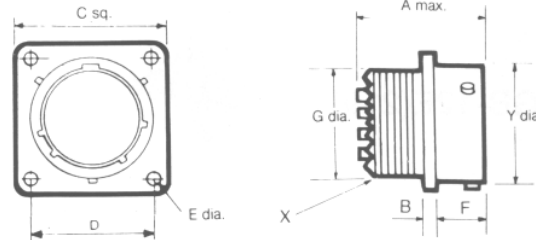


50T



62GB-50T
BS9522-C2096

4-hole flange mounting with threaded shell to accept standard cable accessories.



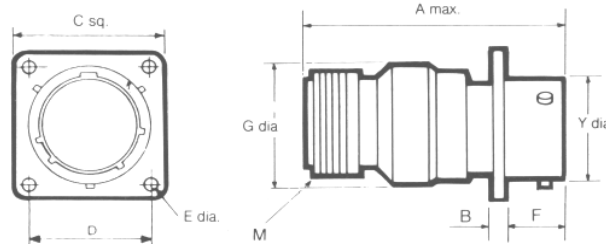
| Shell Size | A max | B ± 0.005 (± 0.13) | C max sq. | D TP Sq. | E dia. ± 0.010 (± 0.254) | F ± 0.005 (± 0.13) | G dia max. | Y dia. max. | X Thread |
|------------|-------|--------------------|-----------|----------|--------------------------|--------------------|------------|-------------|-----------------|
| 08 | 0.978 | 0.062 | 0.817 | 0.594 | 0.120 | 0.445 | 0.434 | 0.473 | 7/16 - 28 UNEF |
| | 24.84 | 1.58 | 20.75 | 15.09 | 3.05 | 11.3 | 11.02 | 12.02 | |
| 10 | 0.978 | 0.062 | 0.942 | 0.719 | 0.120 | 0.445 | 0.558 | 0.590 | 9/16 - 24 NEF |
| | 24.84 | 1.58 | 23.93 | 18.26 | 3.05 | 11.3 | 14.17 | 14.99 | |
| 12 | 0.978 | 0.062 | 1.036 | 0.812 | 0.120 | 0.445 | 0.683 | 0.750 | 11/16 - 24 NEF |
| | 24.84 | 1.58 | 26.32 | 20.63 | 3.05 | 11.3 | 17.35 | 19.05 | |
| 14 | 0.978 | 0.062 | 1.130 | 0.906 | 0.120 | 0.445 | 0.808 | 0.875 | 13/16 - 20 UNEF |
| | 24.84 | 1.58 | 28.70 | 23.10 | 3.05 | 11.3 | 20.52 | 22.23 | |
| 16 | 0.978 | 0.062 | 1.223 | 0.969 | 0.120 | 0.445 | 0.933 | 1.000 | 15/16 - 20 UNEF |
| | 24.84 | 1.58 | 31.07 | 24.61 | 3.05 | 11.3 | 23.7 | 25.4 | |
| 18 | 0.978 | 0.062 | 1.317 | 1.062 | 0.120 | 0.445 | 1.057 | 1.125 | 1.1/16 - 18 NEF |
| | 24.84 | 1.58 | 33.45 | 26.58 | 3.05 | 11.3 | 26.85 | 28.58 | |
| 20 | 1.048 | 0.080 | 1.442 | 1.156 | 0.120 | 0.555 | 1.182 | 1.250 | 1.3/16 - 18 NEF |
| | 26.62 | 2.03 | 36.63 | 29.36 | 3.05 | 14.10 | 30.02 | 31.75 | |
| 22 | 1.048 | 0.080 | 1.567 | 1.250 | 0.120 | 0.555 | 1.307 | 1.375 | 1.5/16 - 18 NEF |
| | 26.62 | 2.03 | 39.80 | 31.75 | 3.05 | 14.10 | 33.20 | 34.93 | |
| 24 | 1.048 | 0.080 | 1.692 | 1.375 | 0.147 | 0.590 | 1.432 | 1.500 | 1.7/16 - 18 NEF |
| | 26.62 | 2.03 | 42.98 | 34.93 | 3.74 | 14.99 | 36.37 | 38.1 | |

10A



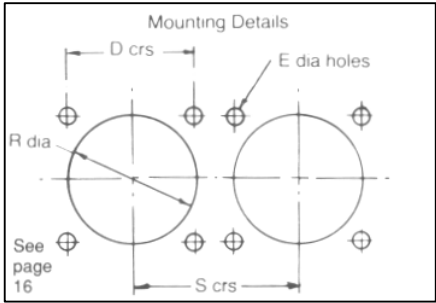
62GB-10A

4-Hole flange mounting with general duty back shell. No grommet supplied.



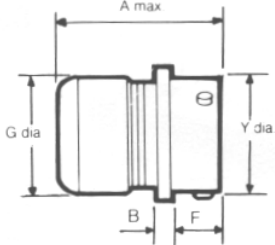
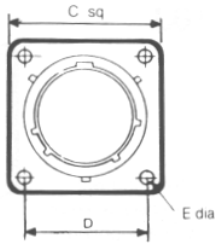
| Shell Size | A max. | B ± 0.005 (± 0.13) | C Max. sq. | D TP sq. | E ± 0.010 (± 0.254) | F ± 0.005 (± 0.13) | G dia max. | Y dia. max. | M |
|------------|--------|--------------------|------------|----------|---------------------|--------------------|------------|-------------|-----------------|
| 08 | 1.624 | 0.062 | 0.817 | 0.594 | 0.120 | 0.445 | 0.561 | 0.473 | 1/2 - 28 UNEF |
| | 41.25 | 1.58 | 20.75 | 15.09 | 3.05 | 11.3 | 14.25 | 12.02 | |
| 10 | 1.624 | 0.062 | 0.942 | 0.719 | 0.120 | 0.445 | 0.686 | 0.590 | 5/8 - 24 NEF |
| | 41.25 | 1.58 | 23.93 | 18.26 | 3.05 | 11.3 | 17.43 | 14.99 | |
| 12 | 1.624 | 0.062 | 1.036 | 0.812 | 0.120 | 0.445 | 0.811 | 0.750 | 3/4 - 20 UNEF |
| | 41.25 | 1.58 | 26.32 | 20.63 | 3.05 | 11.3 | 20.60 | 19.05 | |
| 14 | 1.624 | 0.062 | 1.130 | 0.906 | 0.120 | 0.445 | 0.936 | 0.875 | 7/8 - 20 UNEF |
| | 41.25 | 1.58 | 28.70 | 23.10 | 3.05 | 11.3 | 23.78 | 22.23 | |
| 16 | 1.624 | 0.062 | 1.223 | 0.969 | 0.120 | 0.445 | 1.061 | 1.000 | 1 - 20 UNEF |
| | 41.25 | 1.58 | 31.07 | 24.61 | 3.05 | 11.3 | 26.98 | 25.4 | |
| 18 | 1.624 | 0.062 | 1.317 | 1.062 | 0.120 | 0.445 | 1.186 | 1.125 | 1.3/16 - 18 NEF |
| | 41.25 | 1.58 | 33.45 | 26.58 | 3.05 | 11.3 | 30.12 | 28.58 | |
| 20 | 1.687 | 0.080 | 1.442 | 1.156 | 0.120 | 0.555 | 1.311 | 1.250 | 1.3/16 - 18 NEF |
| | 42.85 | 2.03 | 36.63 | 29.36 | 3.05 | 14.10 | 33.30 | 31.75 | |
| 22 | 1.687 | 0.080 | 1.567 | 1.250 | 0.120 | 0.555 | 1.436 | 1.375 | 1.7/16 - 18 NEF |
| | 42.85 | 2.03 | 39.80 | 31.75 | 3.05 | 14.10 | 36.47 | 34.93 | |
| 24 | 1.730 | 0.080 | 1.692 | 1.375 | 0.147 | 0.590 | 1.561 | 1.500 | 1.7/16 - 18 NEF |
| | 43.94 | 2.03 | 42.98 | 34.93 | 3.73 | 14.99 | 39.65 | 38.1 | |

Box Mounting Receptacles



62GB-10E
MIL-C-26482 MS3110E

4-hole flange mounting with grommet and grommet nut

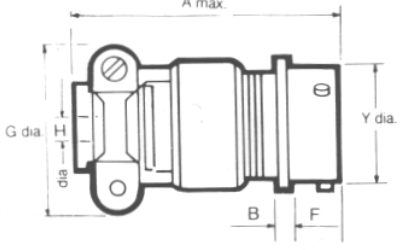
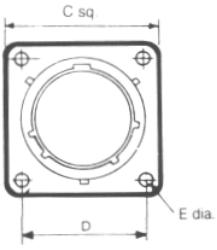


| Shell Size | A max | B ± 0.005 (± 0.13) | C max sq. | D TP Sq. | E ± 0.010 (± 0.254) | F ± 0.005 (± 0.13) | G dia max | V dia. max |
|------------|-------|--------------------|-----------|----------|---------------------|--------------------|-----------|------------|
| 08 | 1.281 | 0.062 | 0.817 | 0.594 | 0.120 | 0.445 | 0.561 | 0.473 |
| | 32.54 | 1.58 | 20.75 | 15.09 | 3.05 | 11.3 | 14.25 | 12.02 |
| 10 | 1.281 | 0.062 | 0.942 | 0.719 | 0.120 | 0.445 | 0.686 | 0.590 |
| | 32.54 | 1.58 | 23.93 | 18.26 | 3.05 | 11.3 | 17.43 | 14.99 |
| 12 | 1.281 | 0.062 | 1.036 | 0.812 | 0.120 | 0.445 | 0.811 | 0.750 |
| | 32.54 | 1.58 | 26.32 | 20.63 | 3.05 | 11.3 | 20.60 | 19.05 |
| 14 | 1.281 | 0.062 | 1.130 | 0.906 | 0.120 | 0.445 | 0.936 | 0.875 |
| | 32.54 | 1.58 | 28.70 | 23.10 | 3.05 | 11.3 | 23.78 | 22.23 |
| 16 | 1.281 | 0.062 | 1.223 | 0.969 | 0.120 | 0.445 | 1.061 | 1.000 |
| | 32.54 | 1.58 | 31.07 | 24.61 | 3.05 | 11.3 | 26.98 | 25.4 |
| 18 | 1.281 | 0.062 | 1.317 | 1.062 | 0.120 | 0.445 | 1.186 | 1.125 |
| | 32.54 | 1.58 | 33.45 | 26.58 | 3.05 | 11.3 | 30.12 | 28.58 |
| 20 | 1.383 | 0.080 | 1.442 | 1.156 | 0.120 | 0.555 | 1.311 | 1.250 |
| | 35.13 | 2.03 | 36.63 | 29.36 | 3.05 | 14.10 | 33.30 | 31.75 |
| 22 | 1.383 | 0.080 | 1.567 | 1.250 | 0.120 | 0.555 | 1.436 | 1.375 |
| | 35.13 | 2.03 | 39.80 | 31.75 | 3.05 | 14.10 | 36.47 | 34.93 |
| 24 | 1.383 | 0.080 | 1.692 | 1.375 | 0.147 | 0.590 | 1.561 | 1.500 |
| | 35.13 | 2.03 | 42.98 | 34.93 | 3.74 | 14.99 | 39.65 | 38.1 |



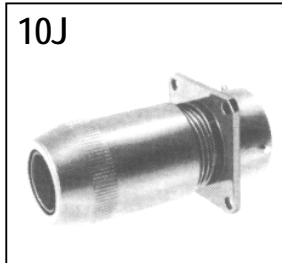
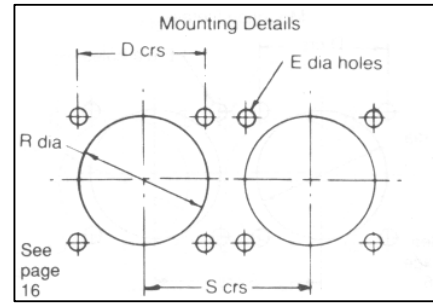
62GB-10F
MIL-C-26482 MS31 10F

4-hole flange mounting with grommet and grommet nut fitted with integral strain relief clamp



| Shell Size | A max. | B ± 0.005 (± 0.13) | C max. sq. | D TP Sq. | E ± 0.010 (± 0.254) | F ± 0.005 (± 0.13) | G dia max. | H ± 0.005 (± 0.13) | Y dia. max. |
|------------|--------|--------------------|------------|----------|---------------------|--------------------|------------|--------------------|-------------|
| 08 | 1.762 | 0.062 | 0.817 | 0.594 | 0.120 | 0.445 | 0.828 | 0.156 | 0.473 |
| | 44.76 | 1.58 | 20.75 | 15.09 | 3.05 | 11.3 | 21.03 | 3.96 | 12.01 |
| 10 | 1.762 | 0.062 | 0.942 | 0.719 | 0.120 | 0.445 | 0.891 | 0.188 | 0.590 |
| | 44.76 | 1.58 | 23.92 | 18.26 | 3.05 | 11.3 | 22.63 | 4.78 | 14.99 |
| 12 | 1.762 | 0.062 | 1.036 | 0.812 | 0.120 | 0.445 | 1.016 | 0.312 | 0.750 |
| | 44.76 | 1.58 | 26.31 | 20.63 | 3.05 | 11.3 | 25.81 | 7.93 | 19.05 |
| 14 | 1.736 | 0.062 | 1.130 | 0.906 | 0.120 | 0.445 | 1.141 | 0.375 | 0.875 |
| | 44.10 | 1.58 | 28.70 | 23.10 | 3.05 | 11.3 | 28.98 | 9.58 | 22.23 |
| 16 | 1.876 | 0.062 | 1.223 | 0.969 | 0.120 | 0.445 | 1.203 | 0.500 | 1.000 |
| | 47.65 | 1.57 | 31.07 | 24.61 | 3.05 | 11.3 | 30.56 | 12.7 | 25.4 |
| 18 | 1.876 | 0.062 | 1.317 | 1.062 | 0.120 | 0.445 | 1.426 | 0.625 | 1.125 |
| | 47.65 | 1.58 | 33.45 | 26.58 | 3.05 | 11.3 | 36.22 | 15.87 | 28.58 |
| 20 | 2.118 | 0.080 | 1.442 | 1.156 | 0.120 | 0.555 | 1.426 | 0.625 | 1.250 |
| | 53.80 | 2.03 | 36.63 | 29.36 | 3.05 | 14.10 | 36.22 | 15.88 | 31.75 |
| 22 | 2.118 | 0.080 | 1.567 | 1.250 | 0.120 | 0.555 | 1.567 | 0.750 | 1.375 |
| | 53.80 | 2.03 | 39.80 | 31.75 | 3.05 | 14.10 | 39.80 | 19.05 | 34.93 |
| 24 | 2.250 | 0.080 | 1.692 | 1.375 | 1.147 | 0.590 | 1.735 | 0.800 | 1.500 |
| | 57.15 | 2.03 | 42.98 | 34.93 | 3.74 | 14.99 | 44.07 | 20.32 | 38.10 |

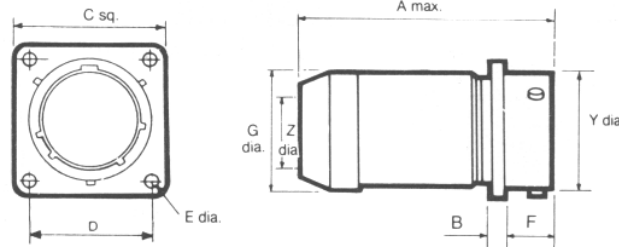
Box Mounting Receptacles



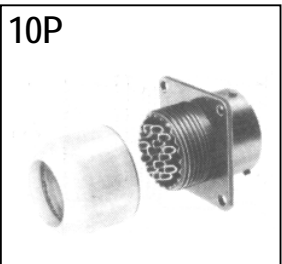
10J

62GB-10J

4-hole flange mounting with clamp for unscreened jacketed cable. No grommet supplied



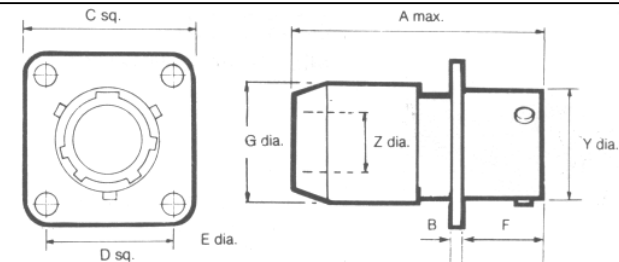
| Shell Size | A max | B ± 0.005 (± 0.13) | c max.sq | D TP sq | E ± 0.010 (± 0.254) | F ± 0.005 (± 0.13) | G dia. max. | Y dia max | Z Cable Entry | |
|------------|-------|--------------------|----------|---------|---------------------|--------------------|-------------|-----------|---------------|----------|
| | | | | | | | | | min closed | max free |
| 08 | 1.846 | 0.062 | 0.817 | 0.594 | 0.120 | 0.445 | 0.561 | 0.473 | 0.168 | 0.230 |
| | 46.89 | 1.58 | 20.75 | 15.09 | 3.05 | 11.3 | 14.25 | 12.02 | 4.28 | 5.84 |
| 10 | 1.846 | 0.062 | 0.942 | 0.719 | 0.120 | 0.445 | 0.686 | 0.590 | 0.205 | 0.312 |
| | 46.89 | 1.58 | 23.93 | 18.26 | 3.05 | 11.3 | 17.43 | 14.99 | 5.21 | 7.93 |
| 12 | 1.947 | 0.062 | 1.036 | 0.812 | 0.120 | 0.445 | 0.811 | 0.750 | 0.338 | 0.442 |
| | 49.45 | 1.58 | 26.32 | 20.63 | 3.05 | 11.3 | 20.60 | 19.05 | 8.59 | 11.23 |
| 14 | 2.147 | 0.062 | 1.130 | 0.906 | 0.120 | 0.445 | 0.936 | 0.875 | 0.416 | 0.539 |
| | 54.54 | 1.58 | 28.70 | 23.10 | 3.05 | 11.3 | 23.78 | 22.23 | 10.57 | 13.69 |
| 16 | 2.347 | 0.062 | 1.223 | 0.969 | 0.120 | 0.445 | 1.061 | 1.000 | 0.550 | 0.616 |
| | 59.61 | 1.575 | 31.07 | 24.61 | 3.05 | 11.3 | 26.96 | 25.4 | 13.97 | 15.65 |
| 18 | 2.547 | 0.062 | 1.317 | 1.062 | 0.120 | 0.445 | 1.186 | 1.125 | 0.600 | 0.672 |
| | 64.70 | 1.575 | 33.45 | 26.58 | 3.05 | 11.3 | 30.12 | 28.58 | 15.24 | 17.07 |
| 20 | 2.831 | 0.080 | 1.442 | 1.156 | 0.120 | 0.555 | 1.311 | 1.250 | 0.635 | 0.747 |
| | 71.91 | 2.03 | 36.63 | 29.36 | 3.05 | 14.10 | 33.30 | 31.75 | 16.13 | 18.98 |
| 22 | 3.031 | 0.080 | 1.567 | 1.250 | 0.120 | 0.555 | 1.436 | 1.375 | 0.670 | 0.846 |
| | 76.99 | 2.03 | 39.80 | 31.75 | 3.05 | 14.10 | 36.47 | 34.93 | 17.02 | 21.49 |
| 24 | 3.074 | 0.080 | 1.692 | 1.375 | 0.147 | 0.590 | 1.561 | 1.500 | 0.740 | 0.894 |
| | 78.08 | 2.03 | 42.98 | 34.93 | 3.73 | 14.99 | 39.65 | 38.1 | 18.80 | 22.71 |



10P

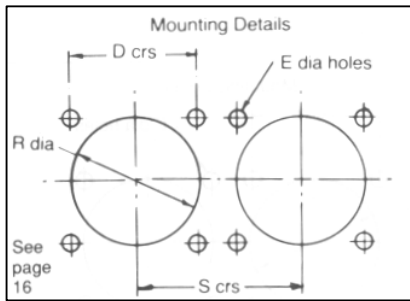
62GB-10P

4-hole flange mounting for potting

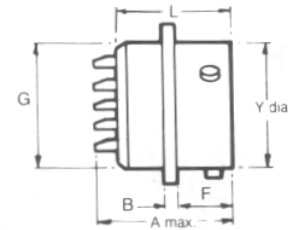
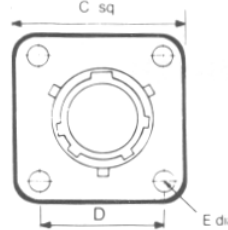


| Shell Size | A max | B ± 0.005 (± 0.13) | c max.sq. | D TP sq | E ± 0.010 (± 0.254) | F ± 0.005 (± 0.13) | G dia. max | Y dia. max | Z dia. | |
|------------|-------|--------------------|-----------|---------|---------------------|--------------------|------------|------------|--------|-------|
| | | | | | | | | | min | max |
| 08 | 1.453 | 0.062 | 0.817 | 0.594 | 0.120 | 0.445 | 0.572 | 0.473 | 0.260 | 6.60 |
| | 36.91 | 1.575 | 20.75 | 15.09 | 3.05 | 11.3 | 14.53 | 12.02 | 6.60 | 6.60 |
| 10 | 1.453 | 0.062 | 0.942 | 0.179 | 0.120 | 0.445 | 0.666 | 0.590 | 0.463 | 11.76 |
| | 36.91 | 1.58 | 23.93 | 18.26 | 3.05 | 11.3 | 16.92 | 14.99 | 11.76 | 11.76 |
| 12 | 1.453 | 0.062 | 1.036 | 0.812 | 0.120 | 0.445 | 0.822 | 0.750 | 0.577 | 14.15 |
| | 36.91 | 1.58 | 26.32 | 20.63 | 3.05 | 11.3 | 20.88 | 19.05 | 14.15 | 14.15 |
| 14 | 1.453 | 0.062 | 1.130 | 0.906 | 0.120 | 0.445 | 0.907 | 0.875 | 0.590 | 14.99 |
| | 36.91 | 1.58 | 28.70 | 23.10 | 3.05 | 11.3 | 23.04 | 22.23 | 14.99 | 14.99 |
| 16 | 1.453 | 0.062 | 1.223 | 0.969 | 0.120 | 0.445 | 1.040 | 1.000 | 0.713 | 18.11 |
| | 36.91 | 1.58 | 31.07 | 24.61 | 3.05 | 11.3 | 26.42 | 25.40 | 18.11 | 18.11 |
| 18 | 1.453 | 0.062 | 1.317 | 1.062 | 0.120 | 0.445 | 1.165 | 1.125 | 0.835 | 22.21 |
| | 36.91 | 1.58 | 33.45 | 26.58 | 3.05 | 11.3 | 29.60 | 28.58 | 22.21 | 22.21 |
| 20 | 1.672 | 0.080 | 1.442 | 1.156 | 0.120 | 0.555 | 1.285 | 1.250 | 1.015 | 25.78 |
| | 42.47 | 2.03 | 36.63 | 29.36 | 3.05 | 14.10 | 32.64 | 31.75 | 25.78 | 25.78 |
| 22 | 1.672 | 0.080 | 1.567 | 1.250 | 0.120 | 0.555 | 1.400 | 1.375 | 1.015 | 25.78 |
| | 42.47 | 2.03 | 39.80 | 31.75 | 3.05 | 14.10 | 35.56 | 34.93 | 25.78 | 25.78 |
| 24 | 1.734 | 0.080 | 0.692 | 1.375 | 0.147 | 0.590 | 1.540 | 1.500 | 1.265 | 32.13 |
| | 44.05 | 2.03 | 42.98 | 34.93 | 3.74 | 14.99 | 39.12 | 38.10 | 32.13 | 32.13 |

Box Mounting Receptacles



62GB-12E
BS9522 - F0017 - C2097
MIL-C-26482 MS3112E

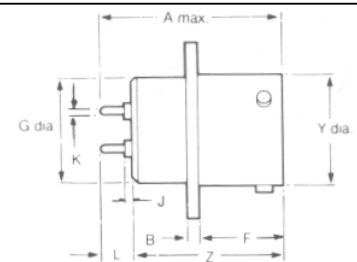
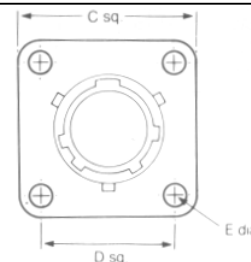


| Shell Size | A max | 8 ± 0.005 (± 0.13) | C max sq. | D TP sq. | E ± 0.010 (± 0.254) | F ± 0.005 (± 0.13) | G dia. max. | L | V dia. max. |
|------------|----------------|--------------------------|----------------|----------------|------------------------|-----------------------|----------------|----------------|----------------|
| 08 | 0.978 24.84 | 0.062 1.58 | 0.817 20.75 | 0.594 15.09 | 0.120 3.05 | 0.445 11.3 | 0.434 11.02 | 0.800 20.32 | 0.473 12.02 |
| 10 | 0.978 24.84 | 0.062 1.58 | 0.942 23.93 | 0.719 18.26 | 0.120 3.05 | 0.445 11.3 | 0.558 14.17 | 0.800 20.32 | 0.590 14.99 |
| 12 | 0.978 24.84 | 0.062 1.58 | 1.036 26.32 | 0.812 20.63 | 0.120 3.05 | 0.445 11.3 | 0.683 17.35 | 0.800 20.32 | 0.750 19.05 |
| 14 | 0.978 24.84 | 0.062 1.58 | 1.130 28.70 | 0.906 23.10 | 0.120 3.05 | 0.445 11.3 | 0.808 20.52 | 0.800 20.32 | 0.875 22.23 |
| 16 | 0.978 24.84 | 0.062 1.58 | 1.223 31.07 | 0.969 24.61 | 0.120 3.05 | 0.445 11.3 | 0.933 23.70 | 0.800 20.32 | 1.000 25.4 |
| 18 | 0.978 24.84 | 0.062 1.58 | 1.317 33.45 | 1.062 26.58 | 0.120 3.05 | 0.445 11.3 | 1.057 26.85 | 0.800 20.32 | 1.125 28.58 |
| 20 | 1.048 26.62 | 0.080 2.03 | 1.442 36.63 | 1.156 29.36 | 0.120 3.05 | 0.555 14.10 | 1.182 30.02 | 0.875 22.23 | 1.250 31.75 |
| 22 | 1.048 26.62 | 0.080 2.03 | 1.567 39.80 | 1.250 31.75 | 0.120 3.05 | 0.555 14.10 | 1.307 33.20 | 0.875 22.23 | 1.375 34.93 |
| 24 | 1.048 26.62 | 0.080 2.03 | 1.692 42.98 | 1.375 34.93 | 0.147 3.74 | 0.590 14.99 | 1.432 36.37 | 0.875 22.23 | 1.500 38.1 |



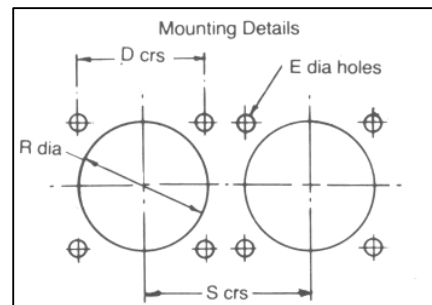
62GB-12E (219)
BS9522 - F0017 - C2262

4-hole flange mounting with plain shell
with film wire terminations

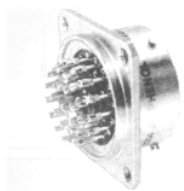


| Shell Size | A max | B ± 0.005 (± 0.13) | C max sq. | D TP sq. | E dia 0.010 | F ± 0.005 (± 0.13) | G dia. Max | J ± 0.020 (± 0.51) | K min max. | L max min | Y dia max. | Z | |
|------------|----------------|-----------------------|----------------|----------------|---------------|-----------------------|----------------|-----------------------|---------------|---------------|---------------|----------------|----------------|
| 08 | 0.982 24.95 | 0.062 1.58 | 0.817 20.75 | 0.594 15.09 | 0.120 3.05 | 0.445 11.3 | 0.434 11.02 | 0.089 2.26 | 0.030 0.76 | 0.198 5.03 | 0.166 4.22 | 0.473 12.02 | 0.800 20.32 |
| 10 | 0.982 24.95 | 0.062 1.58 | 0.942 23.93 | 0.719 18.26 | 0.120 3.05 | 0.445 11.3 | 0.558 14.17 | 0.089 2.26 | 0.030 0.76 | 0.198 5.03 | 0.166 4.22 | 0.590 14.99 | 0.800 20.32 |
| 12 | 0.982 24.95 | 0.062 1.58 | 1.036 26.32 | 0.812 20.63 | 0.120 3.05 | 0.445 11.3 | 0.683 17.35 | 0.089 2.26 | 0.030 0.76 | 0.198 5.03 | 0.166 4.22 | 0.750 19.05 | 0.800 20.32 |
| 14 | 0.982 24.95 | 0.062 1.58 | 1.130 28.70 | 0.906 23.10 | 0.120 3.05 | 0.445 11.3 | 0.808 20.52 | 0.089 2.26 | 0.030 0.76 | 0.198 5.03 | 0.166 4.22 | 0.875 22.23 | 0.800 20.32 |
| 16 | 0.982 24.95 | 0.062 1.58 | 1.223 31.07 | 0.969 24.61 | 0.120 3.05 | 0.445 11.3 | 0.933 23.70 | 0.089 2.26 | 0.030 0.76 | 0.198 5.03 | 0.166 4.22 | 1.000 25.4 | 0.800 20.32 |
| 18 | 0.982 24.95 | 0.062 1.58 | 1.317 33.45 | 1.062 26.58 | 0.120 3.05 | 0.445 11.3 | 1.057 26.85 | 0.089 2.26 | 0.030 0.76 | 0.198 5.03 | 0.166 4.22 | 1.125 28.58 | 0.800 20.32 |
| 20 | 1.057 26.85 | 0.080 2.03 | 1.442 36.63 | 1.156 29.36 | 0.120 3.05 | 0.555 14.10 | 1.182 30.02 | 0.076 1.93 | 0.030 0.76 | 0.185 4.70 | 0.153 3.89 | 1.250 31.75 | 0.875 22.23 |
| 22 | 1.057 26.85 | 0.080 2.03 | 1.567 39.80 | 1.250 31.75 | 0.120 3.05 | 0.555 14.10 | 1.307 33.20 | 0.076 1.93 | 0.030 0.76 | 0.185 4.70 | 0.153 3.89 | 1.375 34.93 | 0.875 22.23 |
| 24 | 1.057 26.85 | 0.080 2.03 | 1.692 42.98 | 1.375 34.93 | 0.147 3.74 | 0.590 14.99 | 1.432 36.37 | 0.076 1.93 | 0.030 0.76 | 0.185 4.70 | 0.153 3.89 | 1.500 38.1 | 0.875 22.23 |

Box Mounting Receptacles Hermetic Seal

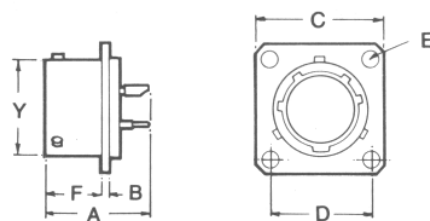


12H



62GB-12H

4-hole square mounting with exposed solder buckets or flattened and pierced pins.

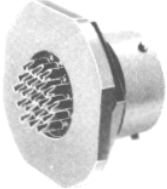
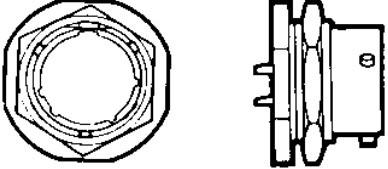

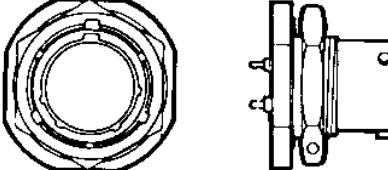
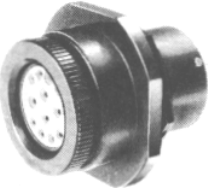
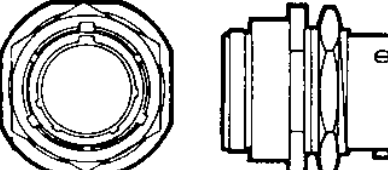
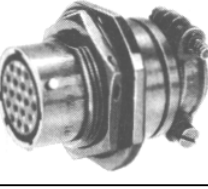
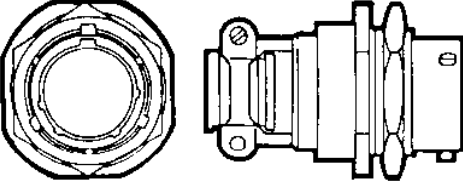
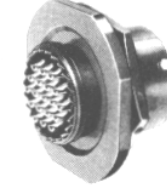
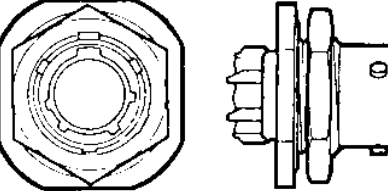
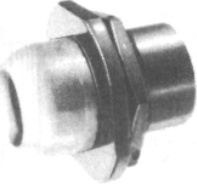
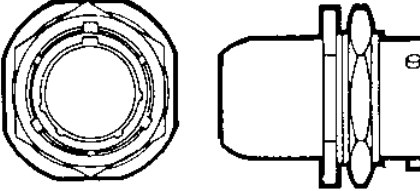
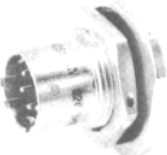
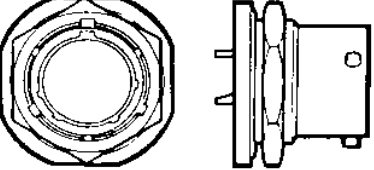


| Shell Size | A max | B ± 0.005 (± 0.13) | C max sq. | D | E 0.008 (± 0.203) (± 0.051) .002 | F ± 0.005 (± 0.13) | R ± 0.005 (± 0.13) | S | Y |
|------------|-------|------------------------------|-----------|-------|--|------------------------------|------------------------------|-------|-------|
| 08 | 0.828 | 0.062 | 0.812 | 0.594 | 0.120 | 0.443 | 0.568 | 1.250 | 0.473 |
| | 21.03 | 1.57 | 20.61 | 15.08 | 3.05 | 11.25 | 14.42 | 31.73 | 12.01 |
| 10 | 0.828 | 0.062 | 0.937 | 0.719 | 0.120 | 0.443 | 0.695 | 1.359 | 14.99 |
| | 21.03 | 1.57 | 23.79 | 18.29 | 3.05 | 11.25 | 17.53 | 34.52 | 14.99 |
| 12 | 0.828 | 0.062 | 1.031 | 0.812 | 0.120 | 0.443 | 0.864 | 1.531 | 0.750 |
| | 21.03 | 1.57 | 26.17 | 20.57 | 3.05 | 11.25 | 21.84 | 38.89 | 19.05 |
| 14 | 0.828 | 0.062 | 1.125 | 0.906 | 0.120 | 0.443 | 0.989 | 1.656 | 0.875 |
| | 21.03 | 1.57 | 28.57 | 23.11 | 3.05 | 11.25 | 25.15 | 42.06 | 22.23 |
| 16 | 0.828 | 0.062 | 1.218 | 0.969 | 0.120 | 0.443 | 1.113 | 1.781 | 1.000 |
| | 21.03 | 1.57 | 30.93 | 24.64 | 3.05 | 11.25 | 28.19 | 45.24 | 25.40 |
| 18 | 0.828 | 0.062 | 1.312 | 1.062 | 0.120 | 0.443 | 1.238 | 1.891 | 1.125 |
| | 21.03 | 1.57 | 33.32 | 26.92 | 3.05 | 11.25 | 31.49 | 48.03 | 28.58 |
| 20 | 0.890 | 0.093 | 1.437 | 1.156 | 0.120 | 0.561 | 1.363 | 2.031 | 1.250 |
| | 22.60 | 2.36 | 36.49 | 29.46 | 3.05 | 14.24 | 34.54 | 51.59 | 30.75 |
| 22 | 0.890 | 0.093 | 1.562 | 1.250 | 1.120 | 0.561 | 1.488 | 2.156 | 1.375 |
| | 22.60 | 2.36 | 39.67 | 31.75 | 3.05 | 14.24 | 37.85 | 54.76 | 34.93 |
| 24 | 0.890 | 0.093 | 1.687 | 1.375 | 0.147 | 0.593 | 1.615 | 2.277 | 1.500 |
| | 22.60 | 2.36 | 42.84 | 35.05 | 3.81 | 15.06 | 41.15 | 57.84 | 38.10 |

Single Hole Fixing Receptacles

Table of Styles

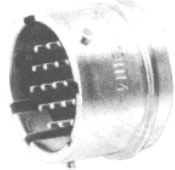
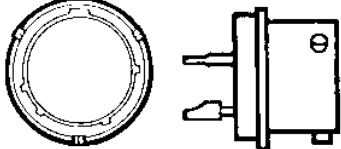
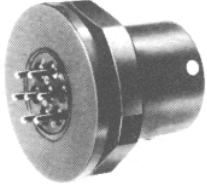
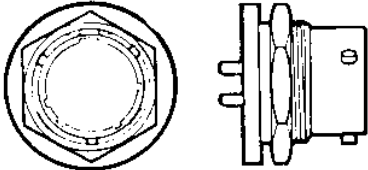
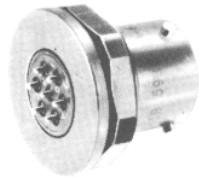
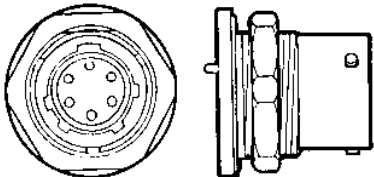

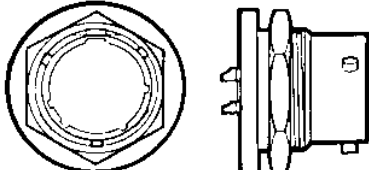
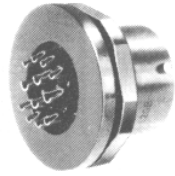
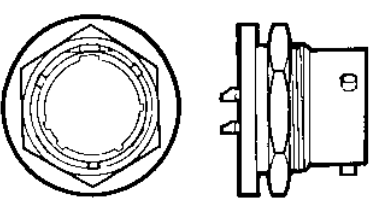
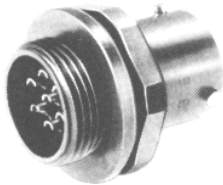
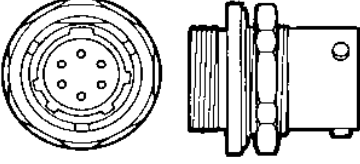
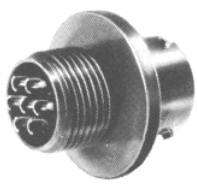
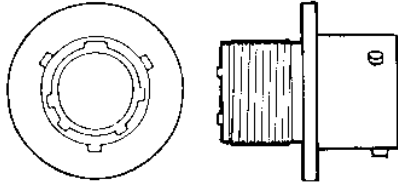
Page No.

| | | | |
|---------------------------|---|--|----|
| 62GB-57A |  |  | 23 |
| 62GB-57A (219) |  |  | 23 |
| 62GB-14E |  |  | 24 |
| 62GB-14F |  |  | 24 |
| 62GB-57T |  |  | 25 |
| 62GB-17P |  |  | 25 |
| 62GB-17H Hermetic Seal |  |  | 26 |

Single Hole Fixing Receptacles

Table of Styles

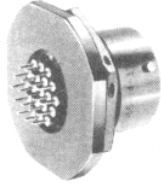
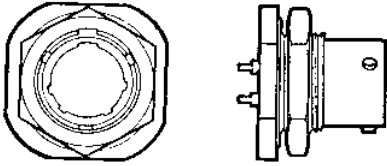
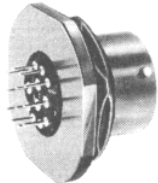
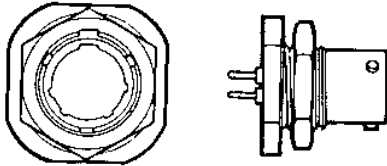
Page No.

| | | | |
|-----------------------------------|---|--|-----------|
| <p>62GB-13H Hermetic Seal</p> |  |  | <p>26</p> |
| <p>62GB-5005-10</p> |  |  | <p>27</p> |
| <p>62GB-5036-10</p> |  |  | <p>27</p> |
| <p>62GB-5016-10</p> |  |  | <p>28</p> |
| <p>62GB-5024</p> |  |  | <p>28</p> |
| <p>62GB-5052</p> |  |  | <p>29</p> |
| <p>62GB-5030</p> |  |  | <p>29</p> |

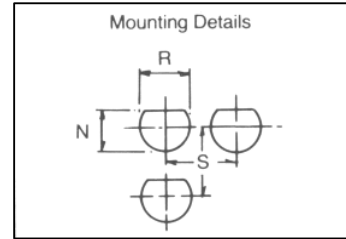
Single Hole Fixing Receptacles

Table of Styles

Page No.

| | | | |
|-----------|--|---|----|
| 62GB-5065 |  |  | 30 |
| 62GB-5067 |  |  | 30 |

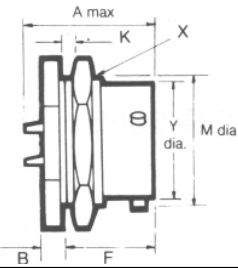
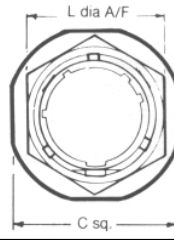
Single Hole Fixing Receptacles



57A

62GB-57A
BS9522 - F0017 - C2099

Single hole mounting with plain shell for direct wiring to exposed solder buckets. Has panel 'O' ring seal.



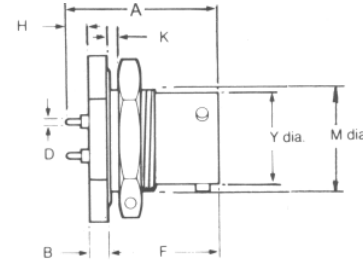
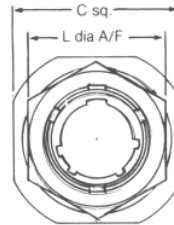
| Shell Size | A max | B ± 0.005 (±0.13) | C sq. | F ± 0.005 (±0.13) | | K | | L | M | | N ± 0.005 (±0.13) | | R ± 0.005 (±0.13) | | s min | Y | X Thread |
|------------|-------|-------------------|-------|-------------------|-------|-------|-------|-------|----------------|-----------------|-------------------|-----------------|-------------------|----------------|---------------|---|----------|
| | | | | min | max | min | max | | -0.005 (-0.13) | ± 0.005 (±0.13) | ± 0.005 (±0.13) | ± 0.005 (±0.13) | | | | | |
| 08 | 0.978 | 0.117 | 0.942 | 0.706 | 0.062 | 0.125 | 0.750 | 0.527 | 0.540 | 0.572 | 1.250 | 0.473 | 0.473 | 0.473 | 9/16 - 24 NEF | | |
| | 24.84 | 2.97 | 23.93 | 17.93 | 1.58 | 3.18 | 19.05 | 13.3 | 13.72 | 14.53 | 31.75 | 12.03 | 12.03 | 12.03 | | | |
| 10 | 0.978 | 0.117 | 1.067 | 0.706 | 0.062 | 0.125 | 0.875 | 0.652 | 0.665 | 0.697 | 1.359 | 0.590 | 0.590 | 11/16 - 24 NEF | | | |
| | 24.84 | 2.97 | 27.10 | 17.93 | 1.58 | 3.18 | 22.23 | 16.56 | 16.89 | 17.70 | 34.52 | 14.99 | 14.99 | | | | |
| 12 | 0.978 | 0.117 | 1.255 | 0.706 | 0.062 | 0.125 | 1.062 | 0.815 | 0.828 | 0.885 | 1.531 | 0.750 | 0.750 | 7/8 - 20 UNEF | | | |
| | 24.84 | 2.97 | 31.88 | 17.93 | 1.58 | 3.18 | 26.98 | 20.70 | 21.03 | 22.48 | 38.89 | 19.05 | 19.05 | | | | |
| 14 | 0.978 | 0.117 | 1.380 | 0.706 | 0.062 | 0.125 | 1.187 | 0.939 | 0.952 | 1.010 | 1.656 | 0.875 | 0.875 | 1 - 20 UNEF | | | |
| | 24.84 | 2.97 | 35.05 | 17.93 | 1.58 | 3.18 | 30.15 | 23.85 | 24.18 | 25.65 | 42.06 | 22.23 | 22.23 | | | | |
| 16 | 0.978 | 0.117 | 1.505 | 0.706 | 0.062 | 0.125 | 1.312 | 1.063 | 1.076 | 1.135 | 1.781 | 1.000 | 1.000 | 1.1/8 - 18 NEF | | | |
| | 24.84 | 2.97 | 38.23 | 17.93 | 1.58 | 3.18 | 33.32 | 27.00 | 27.33 | 28.83 | 45.24 | 25.40 | 25.40 | | | | |
| 18 | 0.978 | 0.117 | 1.630 | 0.706 | 0.062 | 0.125 | 1.437 | 1.188 | 1.201 | 1.260 | 1.891 | 1.125 | 1.125 | 1.1/4 - 18 NEF | | | |
| | 24.84 | 2.97 | 41.40 | 17.93 | 1.58 | 3.18 | 36.50 | 30.18 | 30.50 | 32.00 | 48.03 | 28.58 | 28.58 | | | | |
| 20 | 1.048 | 0.148 | 1.817 | 0.894 | 0.062 | 0.250 | 1.562 | 1.313 | 1.326 | 1.385 | 2.031 | 1.250 | 1.250 | 1.3/8 - 18NEF | | | |
| | 26.62 | 3.76 | 46.15 | 22.71 | 1.58 | 6.35 | 38.68 | 33.35 | 33.68 | 35.18 | 51.59 | 31.75 | 31.75 | | | | |
| 22 | 1.048 | 0.148 | 1.942 | 0.894 | 0.062 | 0.250 | 1.687 | 1.438 | 1.451 | 1.510 | 2.156 | 1.375 | 1.375 | 1.1/2 - 18 NEF | | | |
| | 26.62 | 3.76 | 49.33 | 22.71 | 1.58 | 6.35 | 42.85 | 36.53 | 36.86 | 38.35 | 54.76 | 34.93 | 34.93 | | | | |
| 24 | 1.048 | 0.148 | 2.067 | 0.927 | 0.062 | 0.250 | 1.812 | 1.563 | 1.576 | 1.635 | 2.277 | 1.500 | 1.500 | 1.5/8 - 18 NEF | | | |
| | 26.62 | 3.76 | 52.50 | 23.55 | 1.575 | 6.35 | 46.05 | 39.70 | 40.03 | 41.45 | 57.84 | 38.10 | 38.10 | | | | |



57A(219)

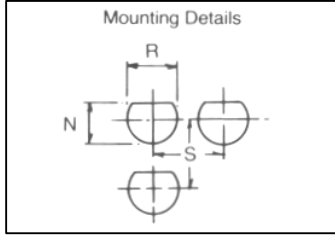
62GB-57A (219)
BS9522 - F0017- C2261

Single hole mounting with plain shell and film wire terminations



| Shell Size | A m | B ± 0.005 (±0.13) | C sq. max. | D | | F ± 0.005 (±0.13) | | H | | K | L | M | | N ± 0.005 (±0.13) | | R ± 0.005 (±0.13) | | S min | Y | X Thread |
|------------|-------|-------------------|------------|-------|-------|-------------------|-------|-------|-------|-------|-------|----------------|-----------------|-------------------|-----------------|-------------------|-------|----------------|---|----------|
| | | | | min | max | min | max | min | max | | | -0.005 (-0.13) | ± 0.005 (±0.13) | ± 0.005 (±0.13) | ± 0.005 (±0.13) | | | | | |
| 08 | 0.976 | 0.117 | 0.942 | 0.030 | 0.028 | 0.706 | 0.173 | 0.133 | 0.062 | 0.125 | 0.750 | 0.527 | 0.540 | 0.572 | 1.250 | 0.473 | 0.473 | 9/16 - 24 NEF | | |
| | 24.79 | 2.97 | 23.93 | 0.76 | 0.71 | 17.93 | 4.40 | 3.38 | 1.58 | 3.18 | 19.05 | 13.3 | 13.72 | 14.53 | 31.75 | 12.03 | 12.03 | | | |
| 10 | 0.976 | 0.117 | 1.067 | 0.030 | 0.028 | 0.706 | 0.173 | 0.133 | 0.062 | 0.125 | 0.875 | 0.652 | 0.665 | 0.697 | 1.359 | 0.590 | 0.590 | 11/16 - 24 NEF | | |
| | 24.79 | 2.97 | 23.93 | 0.76 | 0.71 | 17.93 | 4.40 | 3.38 | 1.58 | 3.18 | 22.23 | 16.56 | 16.89 | 17.70 | 34.52 | 14.99 | 14.99 | | | |
| 12 | 0.976 | 0.117 | 1.255 | 0.030 | 0.028 | 0.706 | 0.173 | 0.133 | 0.062 | 0.125 | 1.062 | 0.815 | 0.828 | 0.885 | 1.531 | 0.750 | 0.750 | 7/8 - 20 UNEF | | |
| | 24.79 | 2.97 | 31.88 | 0.76 | 0.71 | 17.93 | 4.40 | 3.38 | 1.58 | 3.18 | 26.98 | 20.70 | 21.03 | 22.48 | 38.89 | 19.05 | 19.05 | | | |
| 14 | 0.976 | 0.117 | 1.380 | 0.030 | 0.028 | 0.706 | 0.173 | 0.133 | 0.062 | 0.125 | 1.187 | 0.939 | 0.952 | 1.010 | 1.656 | 0.875 | 0.875 | 1 - 20 UNEF | | |
| | 24.79 | 2.97 | 35.05 | 0.76 | 0.71 | 17.93 | 4.40 | 3.38 | 1.58 | 3.18 | 30.15 | 23.85 | 24.18 | 25.65 | 42.06 | 22.26 | 22.26 | | | |
| 16 | 0.976 | 0.117 | 1.505 | 0.030 | 0.028 | 0.706 | 0.173 | 0.133 | 0.062 | 0.125 | 1.312 | 1.063 | 1.076 | 1.135 | 1.781 | 1.000 | 1.000 | 1.1/8 - 18 NEF | | |
| | 24.79 | 2.97 | 38.23 | 0.76 | 0.71 | 17.93 | 4.40 | 3.38 | 1.58 | 3.18 | 33.32 | 27.00 | 27.33 | 28.83 | 45.24 | 25.40 | 25.40 | | | |
| 18 | 0.976 | 0.117 | 1.630 | 0.030 | 0.028 | 0.706 | 0.173 | 0.133 | 0.062 | 0.125 | 1.437 | 1.188 | 1.201 | 1.260 | 1.891 | 1.125 | 1.125 | 1.1/4 - 18 NEF | | |
| | 24.79 | 2.97 | 41.40 | 0.76 | 0.71 | 17.93 | 4.40 | 3.38 | 1.58 | 3.18 | 36.50 | 30.18 | 30.50 | 32.00 | 48.03 | 28.58 | 28.58 | | | |
| 20 | 1.195 | 0.148 | 1.817 | 0.030 | 0.028 | 0.894 | 0.173 | 0.133 | 0.062 | 0.250 | 1.562 | 1.313 | 1.326 | 1.385 | 2.031 | 1.250 | 1.250 | 1.3/8 - 18 NEF | | |
| | 30.35 | 3.76 | 46.15 | 0.76 | 0.71 | 22.71 | 4.40 | 3.38 | 1.58 | 6.35 | 38.68 | 33.35 | 33.68 | 35.18 | 51.59 | 31.75 | 31.75 | | | |
| 22 | 1.195 | 0.148 | 1.942 | 0.030 | 0.028 | 0.894 | 0.173 | 0.133 | 0.062 | 0.250 | 1.687 | 1.438 | 1.451 | 1.510 | 2.156 | 1.375 | 1.375 | 1.1/2 - 18NEF | | |
| | 30.35 | 3.76 | 49.33 | 0.76 | 0.71 | 22.71 | 4.40 | 3.38 | 1.58 | 6.35 | 42.85 | 36.53 | 36.86 | 38.35 | 54.76 | 34.93 | 34.93 | | | |
| 24 | 1.228 | 0.148 | 2.067 | 0.030 | 0.028 | 0.927 | 0.173 | 0.133 | 0.062 | 0.250 | 1.812 | 1.563 | 1.576 | 1.635 | 2.277 | 1.500 | 1.500 | 1.5/8 - 18 NEF | | |
| | 30.35 | 3.76 | 52.50 | 0.76 | 0.71 | 23.55 | 4.40 | 3.38 | 1.58 | 6.35 | 46.05 | 39.70 | 40.03 | 41.45 | 57.84 | 38.10 | 38.10 | | | |

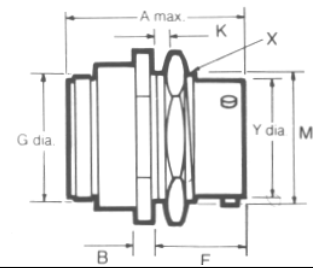
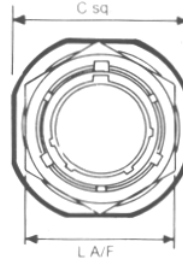
Single Hole Fixing Receptacles



14E

62GB-14E
MIL-C-26482 MS3114E
BS9522 - F0017
- C2098

Single hole mounting with grommet and grommet nut.
 Has panel 'O' ring seal



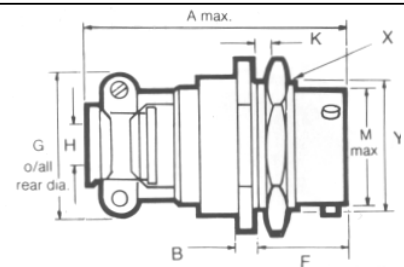
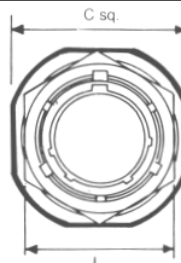
| Shell Size | A max | B ±0.005 (±0.13) | C max sq. | F ±0.005 (±0.13) | G Dia Max | min | K max | L | M -0.005 (-0.13) | N ±0.005 (±0.13) | R ±0.005 (±0.13) | S | Y | X Thread |
|------------|-------|------------------|-----------|------------------|-----------|-------|-------|-------|------------------|------------------|------------------|-------|-------|----------------|
| 08 | 1.344 | 0.117 | 0.942 | 0.706 | 0.713 | 0.062 | 0.125 | 0.750 | 0.527 | 0.540 | 0.572 | 1.250 | 0.473 | 9/16-24NEF |
| | 34.14 | 2.97 | 23.93 | 17.93 | 18.11 | 1.58 | 3.18 | 19.05 | 13.3 | 13.72 | 14.53 | 31.75 | 12.03 | |
| 10 | 1.344 | 0.117 | 1.067 | 0.706 | 0.838 | 0.062 | 0.125 | 0.875 | 0.652 | 0.665 | 0.697 | 1.359 | 0.590 | 11/16 -24 NEF |
| | 34.14 | 2.97 | 27.10 | 17.93 | 21.29 | 1.58 | 3.18 | 22.23 | 16.56 | 16.89 | 17.70 | 34.52 | 14.99 | |
| 12 | 1.344 | 0.117 | 1.255 | 0.706 | 0.963 | 0.062 | 0.125 | 1.062 | 0.815 | 0.828 | 0.885 | 1.531 | 0.750 | 7/8 -20 UNEF |
| | 34.14 | 2.97 | 31.88 | 17.93 | 24.46 | 1.58 | 3.18 | 26.98 | 20.70 | 21.03 | 22.48 | 38.89 | 19.05 | |
| 14 | 1.344 | 0.117 | 1.380 | 0.706 | 1.088 | 0.062 | 0.125 | 1.187 | 0.939 | 0.952 | 1.010 | 1.656 | 0.875 | 1 - 20 UNEF |
| | 34.14 | 2.97 | 35.05 | 17.93 | 27.63 | 1.58 | 3.18 | 30.15 | 23.85 | 24.18 | 25.65 | 42.06 | 22.23 | |
| 16 | 1.344 | 0.117 | 1.505 | 0.706 | 1.213 | 0.062 | 0.125 | 1.312 | 1.063 | 1.076 | 1.135 | 1.781 | 1.000 | 1.1/8 -18NEF |
| | 34.14 | 2.97 | 38.23 | 17.93 | 30.81 | 1.58 | 3.18 | 33.32 | 27.00 | 27.33 | 28.83 | 45.24 | 25.40 | |
| 18 | 1.344 | 0.117 | 1.630 | 0.706 | 1.338 | 0.062 | 0.125 | 1.437 | 1.188 | 1.201 | 1.260 | 1.891 | 1.125 | 1.1/4 -18 NEF |
| | 34.14 | 2.97 | 41.40 | 17.93 | 33.98 | 1.58 | 3.18 | 36.50 | 30.18 | 30.50 | 32.00 | 48.03 | 28.58 | |
| 20 | 1.576 | 0.148 | 1.817 | 0.894 | 1.463 | 0.062 | 0.250 | 1.562 | 1.313 | 1.326 | 1.385 | 2.031 | 1.250 | 1.3/8 - 18 NEF |
| | 40.03 | 3.76 | 46.15 | 22.71 | 37.16 | 1.58 | 6.35 | 38.68 | 33.35 | 33.68 | 35.18 | 51.59 | 31.75 | |
| 22 | 1.576 | 0.148 | 1.942 | 0.894 | 1.588 | 0.062 | 0.250 | 1.687 | 1.438 | 1.451 | 1.510 | 2.156 | 1.375 | 1.1/2 - 18 NEF |
| | 40.03 | 3.76 | 49.33 | 22.71 | 40.33 | 1.58 | 6.35 | 42.85 | 36.53 | 36.86 | 38.35 | 54.76 | 34.93 | |
| 24 | 1.609 | 0.148 | 2.067 | 0.927 | 1.713 | 0.062 | 0.250 | 1.812 | 1.563 | 1.576 | 1.635 | 2.277 | 1.500 | 1.5/8 - 18 NEF |
| | 40.87 | 3.76 | 52.50 | 23.55 | 43.51 | 1.58 | 6.35 | 46.05 | 39.70 | 40.03 | 41.45 | 57.84 | 38.10 | |



14F

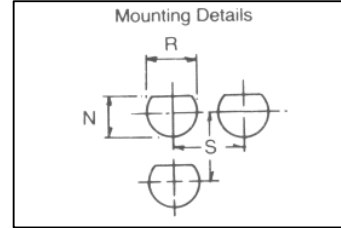
62GB-14F
MIL-C-26482 MS3114F

Single hole mounting with grommet and grommet nut fitted with integral strain relief clamp.
 Has panel 'O' ring seal



| Shell Size | A max | B ±0.005 (±0.13) | C max sq. | F ±0.005 (±0.13) | G dia. max. | H 0.005 (± 0.13) | min | K max | L | M -0.005 (-0.13) | N ±0.005 (±0.13) | R ±0.005 (±0.13) | S | Y | X Thread |
|------------|-------|------------------|-----------|------------------|-------------|------------------|-------|-------|-------|------------------|------------------|------------------|-------|-------|-----------------|
| 08 | 1.762 | 0.117 | 0.942 | 0.706 | 0.828 | 0.156 | 0.062 | 0.125 | 0.750 | 0.527 | 0.540 | 0.572 | 1.250 | 0.473 | 9/16 -24 NEF |
| | 44.75 | 2.97 | 23.93 | 17.93 | 21.03 | 3.96 | 1.58 | 3.18 | 19.05 | 13.3 | 13.72 | 14.53 | 31.75 | 12.03 | |
| 10 | 1.762 | 0.117 | 1.067 | 0.706 | 0.891 | 0.188 | 0.062 | 0.125 | 0.875 | 0.652 | 0.665 | 0.697 | 1.359 | 0.590 | 11/16 - 124 NEF |
| | 44.75 | 2.97 | 27.10 | 17.93 | 22.63 | 4.78 | 1.58 | 3.18 | 22.23 | 16.56 | 16.89 | 17.70 | 34.52 | 14.99 | |
| 12 | 1.762 | 0.117 | 1.255 | 0.706 | 1.016 | 0.312 | 0.062 | 0.125 | 1.062 | 0.815 | 0.828 | 0.885 | 1.531 | 0.750 | 7/8 - 20 UNEF |
| | 44.75 | 2.97 | 31.88 | 17.93 | 25.81 | 7.93 | 1.58 | 3.18 | 26.98 | 20.70 | 21.03 | 22.48 | 38.89 | 19.05 | |
| 14 | 1.736 | 0.117 | 1.380 | 0.706 | 1.147 | 0.375 | 0.062 | 0.125 | 1.187 | 0.939 | 0.952 | 1.010 | 1.656 | 0.875 | 1 - 20 NEF |
| | 44.10 | 2.97 | 35.05 | 17.93 | 28.97 | 9.53 | 1.58 | 3.18 | 30.15 | 23.85 | 24.18 | 25.65 | 42.06 | 22.23 | |
| 16 | 1.876 | 0.117 | 1.505 | 0.706 | 1.203 | 0.500 | 0.062 | 0.125 | 1.312 | 1.063 | 1.076 | 1.135 | 1.781 | 1.000 | 1.1/8 - 18 NEF |
| | 47.65 | 2.97 | 38.23 | 17.93 | 30.56 | 12.7 | 1.58 | 3.18 | 33.32 | 27.00 | 27.33 | 28.83 | 45.24 | 25.40 | |
| 18 | 1.876 | 0.117 | 1.630 | 0.706 | 1.426 | 0.625 | 0.062 | 0.125 | 1.437 | 1.188 | 1.201 | 1.260 | 1.891 | 1.125 | 1.1/4 - 18 NEF |
| | 47.65 | 2.97 | 41.40 | 17.93 | 36.22 | 15.88 | 1.58 | 3.18 | 36.50 | 30.18 | 30.50 | 32.00 | 48.03 | 28.58 | |
| 20 | 2.118 | 0.148 | 1.817 | 0.894 | 1.426 | 0.625 | 0.062 | 0.250 | 1.562 | 1.313 | 1.326 | 1.385 | 2.031 | 1.250 | 1.3/8 - 18 NEF |
| | 53.8 | 3.76 | 46.15 | 22.71 | 36.22 | 15.88 | 1.58 | 6.35 | 38.68 | 33.35 | 33.68 | 35.18 | 51.59 | 31.75 | |
| 22 | 2.118 | 0.148 | 1.942 | 0.894 | 1.567 | 0.750 | 0.062 | 0.250 | 1.687 | 1.438 | 1.451 | 1.510 | 2.156 | 1.375 | 1.1/2 -18 NEE |
| | 53.8 | 3.76 | 49.33 | 22.71 | 39.80 | 19.05 | 1.58 | 6.35 | 42.85 | 36.53 | 36.86 | 38.35 | 54.76 | 34.93 | |
| 24 | 2.250 | 0.148 | 2.067 | 0.927 | 1.735 | 0.800 | 0.062 | 0.250 | 1.812 | 1.563 | 1.576 | 1.635 | 2.277 | 1.500 | 1.5/8 - 18 NEF |
| | 57.15 | 3.76 | 52.50 | 23.55 | 44.07 | 20.32 | 1.58 | 6.35 | 46.05 | 39.70 | 40.03 | 41.45 | 57.84 | 38.10 | |

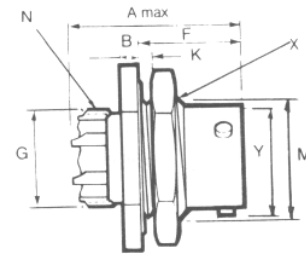
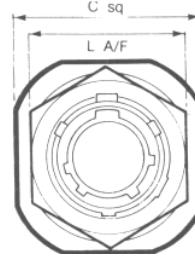
Single Hole Fixing Receptacles



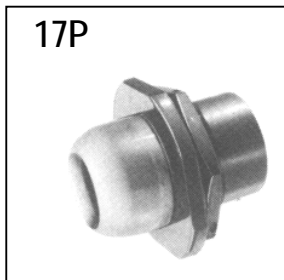
57T

62G B-57T
BS9522 - F0017 - C2100

Single hole mounting with threaded shell to accept accessories



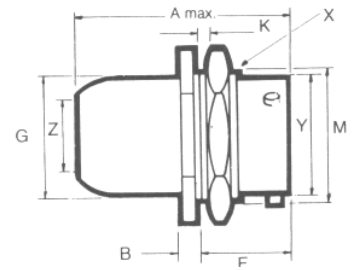
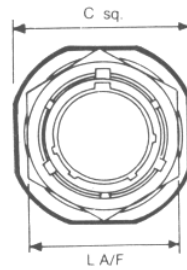
| Shell Size | A max | B ± 0.005 (± 0.13) | c max. sq. | F ± 0.005 (± 0.13) | G dia, max. | K min | L max | M -0.005 (- 0.13) | N | Y | X Thread | |
|------------|-------|--------------------|------------|--------------------|-------------|-------|-------|-------------------|-------|---------------|----------|-----------------|
| 08 | 0.978 | 0.117 | 0.942 | 0.595 | 0.426 | 0.062 | 0.125 | 0.750 | 0.527 | 7/16 - UNEF | 0.473 | 9/16 - 24 NEF |
| | 24.84 | 2.97 | 23.93 | 15.12 | 10.82 | 1.58 | 3.18 | 19.05 | 13.3 | | 12.03 | |
| 10 | 0.978 | 0.117 | 1.067 | 0.595 | 0.552 | 0.062 | 0.125 | 0.875 | 0.652 | 9/16 - UNEF | 0.590 | 11/16 - 24 NEF |
| | 24.84 | 2.97 | 27.10 | 15.12 | 14.02 | 1.58 | 3.18 | 22.23 | 16.56 | | 14.99 | |
| 12 | 0.978 | 0.117 | 1.255 | 0.595 | 0.677 | 0.062 | 0.125 | 1.062 | 0.815 | 11/16 - UNEF | 0.750 | 7/8 - 20 UNEF |
| | 24.84 | 2.97 | 31.88 | 15.12 | 17.20 | 1.58 | 3.18 | 26.98 | 20.70 | | 19.05 | |
| 14 | 0.978 | 0.117 | 1.380 | 0.595 | 0.802 | 0.062 | 0.125 | 1.187 | 0.939 | 13/16 - UNEF | 0.875 | 1 - 20 UNEF |
| | 24.84 | 2.97 | 35.05 | 15.12 | 20.37 | 1.58 | 3.18 | 30.15 | 23.85 | | 22.23 | |
| 16 | 0.978 | 0.117 | 1.505 | 0.595 | 0.927 | 0.062 | 0.125 | 1.312 | 1.063 | 15/16 - UNEF | 1.000 | 1.1/18 - 18 NEF |
| | 24.84 | 2.97 | 38.23 | 15.12 | 23.55 | 1.58 | 3.18 | 33.32 | 27.00 | | 25.40 | |
| 18 | 0.978 | 0.117 | 1.630 | 0.595 | 1.052 | 0.062 | 0.125 | 1.437 | 1.188 | 1.1/16 - UNEF | 1.125 | 1.1/4 - 18 NEF |
| | 24.84 | 2.97 | 41.40 | 15.12 | 26.72 | 1.58 | 3.18 | 36.50 | 30.18 | | 28.58 | |
| 20 | 1.048 | 0.148 | 1.817 | 0.720 | 1.167 | 0.062 | 0.250 | 1.562 | 1.313 | 1.3/16 - UNEF | 1.250 | 1.3/8 - 18 NEF |
| | 26.62 | 3.76 | 46.15 | 18.29 | 29.65 | 1.58 | 6.35 | 38.68 | 33.35 | | 31.75 | |
| 22 | 1.048 | 0.148 | 1.942 | 0.720 | 1.292 | 0.062 | 0.250 | 1.687 | 1.438 | 1.5/16 - UNEF | 1.375 | 1.1/2 - 18 NEF |
| | 26.62 | 3.76 | 49.33 | 18.29 | 32.82 | 1.58 | 6.35 | 42.85 | 36.53 | | 34.93 | |
| 24 | 1.048 | 0.148 | 2.067 | 0.753 | 1.416 | 0.062 | 0.250 | 1.812 | 1.563 | 1.7/16 - UNEF | 1.50 | 1.5/8 - 18 NEF |
| | 26.62 | 3.76 | 52.50 | 19.13 | 35.97 | 1.58 | 6.35 | 46.05 | 39.70 | | 38.10 | |



17P

62GB-17P
MIL-C-26482 MS3114P

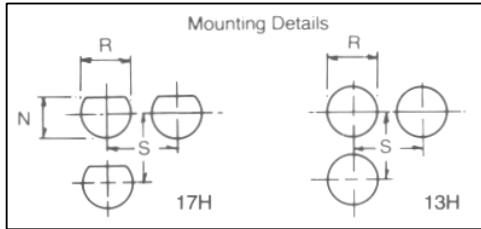
Single hole mounting for potting. Supplied complete with potting mould locating ring and panel 'O' ring seal



| Shell Size | A max. | B ± 0.005 (± 0.13) | C max. sq. | F ± 0.005 (± 0.13) | G | K min | L max. | M -0.005 (-0.13) | N ± 0.005 (± 0.13) | R ± 0.005 (± 0.13) | Y | Z | X Thread | | |
|------------|--------|--------------------|------------|--------------------|-------|-------|--------|------------------|--------------------|--------------------|-------|-------|----------|-------|-----------------|
| 08 | 1.391 | 0.117 | 0.942 | 0.706 | 0.572 | 0.062 | 0.125 | 0.750 | 0.527 | 0.540 | 0.572 | 1.250 | 0.473 | 0.260 | 9/16 - 24 NEF |
| | 35.33 | 2.97 | 23.93 | 17.93 | 14.53 | 1.58 | 3.175 | 19.05 | 13.3 | 13.72 | 14.53 | 31.75 | 12.03 | 6.60 | |
| 10 | 1.391 | 0.117 | 1.067 | 0.706 | 0.666 | 0.062 | 0.125 | 0.875 | 0.652 | 0.665 | 0.697 | 1.359 | 0.590 | 0.463 | 11/16 - 24 NEF |
| | 35.33 | 2.97 | 27.10 | 17.93 | 16.92 | 1.58 | 3.18 | 22.23 | 16.56 | 16.89 | 17.70 | 34.52 | 14.99 | 11.76 | |
| 12 | 1.391 | 0.117 | 1.255 | 0.706 | 0.822 | 0.062 | 0.125 | 1.062 | 0.815 | 0.828 | 0.885 | 1.531 | 0.750 | 0.557 | 7/8 - 20 UNEF |
| | 35.33 | 2.97 | 31.88 | 17.93 | 20.88 | 1.58 | 3.18 | 26.98 | 20.70 | 21.03 | 22.48 | 38.89 | 19.05 | 14.15 | |
| 14 | 1.391 | 0.117 | 1.380 | 0.706 | 0.907 | 0.062 | 0.125 | 1.187 | 0.939 | 0.952 | 1.010 | 1.656 | 0.875 | 0.590 | 1 - 20 UNEF |
| | 35.33 | 2.97 | 35.05 | 17.93 | 23.06 | 1.58 | 3.18 | 30.15 | 23.85 | 24.18 | 25.65 | 42.06 | 22.23 | 14.99 | |
| 16 | 1.391 | 0.117 | 1.505 | 0.706 | 1.040 | 0.062 | 0.125 | 1.312 | 1.063 | 1.076 | 1.135 | 1.781 | 1.000 | 0.713 | 1.1/18 - 18 NEF |
| | 35.33 | 2.97 | 38.23 | 17.93 | 26.42 | 1.58 | 3.18 | 33.32 | 27.00 | 27.33 | 28.83 | 45.24 | 25.40 | 18.11 | |
| 18 | 1.391 | 0.117 | 1.630 | 0.706 | 1.165 | 0.062 | 0.125 | 1.437 | 1.188 | 1.201 | 1.260 | 1.891 | 1.125 | 0.835 | 1.1/4 - 18 NEF |
| | 35.33 | 2.97 | 41.40 | 17.93 | 29.59 | 1.58 | 3.175 | 36.50 | 30.18 | 30.50 | 32.00 | 48.03 | 28.58 | 21.21 | |
| 20 | 1.641 | 0.148 | 1.817 | 0.894 | 1.285 | 0.062 | 0.250 | 1.562 | 1.313 | 1.326 | 1.385 | 2.031 | 1.250 | 1.015 | 1.3/8 - 18 NEF |
| | 41.68 | 3.76 | 46.15 | 22.71 | 32.64 | 1.58 | 6.35 | 38.68 | 33.35 | 33.68 | 35.18 | 51.59 | 31.75 | 25.78 | |
| 22 | 1.641 | 0.148 | 1.942 | 0.894 | 1.400 | 0.062 | 0.250 | 1.687 | 1.438 | 1.451 | 1.510 | 2.156 | 1.375 | 1.015 | 1.1/2 - 18 NEF |
| | 41.68 | 3.76 | 49.33 | 22.71 | 35.56 | 1.58 | 6.35 | 42.85 | 36.53 | 36.86 | 38.35 | 54.76 | 34.93 | 25.78 | |
| 24 | 1.674 | 0.148 | 2.067 | 0.927 | 1.540 | 0.062 | 0.250 | 1.812 | 1.563 | 1.576 | 1.635 | 2.277 | 1.500 | 1.265 | 1.5/8 - 18 NEF |
| | 42.52 | 3.76 | 52.50 | 23.55 | 39.12 | 1.58 | 6.35 | 46.05 | 39.70 | 40.03 | 41.45 | 57.84 | 38.10 | 32.13 | |

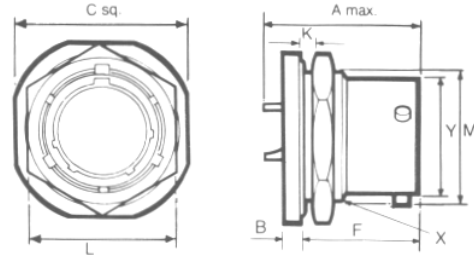
Single Hole Fixing Receptacles

Hermetic Seal



62GB-17H
MIL-C-26482 MS3114H

Single hole mounting with pin contacts in one piece glass-to-metal seal. Exposed solder buckets or flattened and pierced pins.
Has panel 'O' ring seal

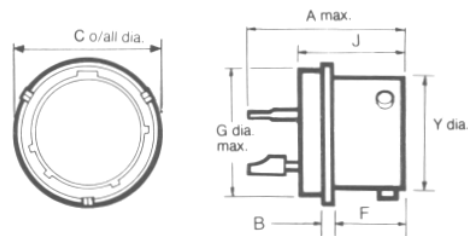


| Shell Size | A max. | B ± 0.005 (± 0.13) | C max. sq | F ± 0.005 (± 0.13) | min | K max | L | M -0.005 (-0.13) | N ± 0.005 (± 0.13) | R ± 0.005 (± 0.13) | S | Y | X Thread |
|------------|--------|------------------------------|-----------|------------------------------|-------|-------|-------|------------------|------------------------------|------------------------------|-------|-------|----------------|
| 08 | 0.828 | 0.094 | 0.942 | 0.706 | 0.062 | 0.125 | 0.750 | 0.527 | 0.540 | 0.572 | 1.250 | 0.473 | 9/16 - 24 NEF |
| | 21.03 | 2.39 | 23.93 | 17.93 | 1.57 | 3.18 | 19.05 | 13.39 | 13.72 | 14.53 | 31.75 | 12.01 | |
| 10 | 0.828 | 0.094 | 1.067 | 0.706 | 0.062 | 0.125 | 0.875 | 0.652 | 0.665 | 0.697 | 1.359 | 0.590 | 11/16 - 24 NEF |
| | 21.03 | 2.39 | 27.10 | 17.93 | 1.57 | 3.18 | 22.23 | 16.56 | 16.89 | 17.70 | 34.52 | 14.99 | |
| 12 | 0.828 | 0.094 | 1.255 | 0.706 | 0.062 | 0.125 | 1.062 | 0.815 | 0.828 | 0.885 | 1.531 | 0.750 | 7/8 - 20 UNEF |
| | 21.03 | 2.39 | 31.88 | 17.93 | 1.57 | 3.18 | 26.97 | 20.70 | 21.03 | 22.48 | 38.89 | 19.05 | |
| 14 | 0.828 | 0.094 | 1.380 | 0.706 | 0.062 | 0.125 | 1.187 | 0.939 | 0.952 | 1.010 | 1.656 | 0.875 | 1 - 20 UNEF |
| | 21.03 | 2.39 | 35.05 | 17.93 | 1.57 | 3.18 | 30.15 | 23.85 | 24.18 | 25.65 | 42.06 | 22.23 | |
| 16 | 0.828 | 0.094 | 1.505 | 0.706 | 0.062 | 0.125 | 1.312 | 1.063 | 1.076 | 1.135 | 1.781 | 1.000 | 1.1/8 - 18 NEF |
| | 21.03 | 2.39 | 38.23 | 17.93 | 1.57 | 3.18 | 33.32 | 27.00 | 27.33 | 28.53 | 45.24 | 25.40 | |
| 18 | 0.828 | 0.094 | 1.630 | 0.706 | 0.062 | 0.125 | 1.437 | 1.188 | 1.201 | 1.260 | 1.891 | 1.125 | 1.1/4 - 18 NEF |
| | 21.03 | 2.39 | 41.40 | 17.93 | 1.57 | 3.18 | 36.50 | 30.18 | 30.51 | 32.00 | 48.03 | 28.58 | |
| 20 | 0.828 | 0.125 | 1.817 | 0.894 | 0.062 | 0.250 | 1.562 | 1.313 | 1.326 | 1.385 | 2.031 | 1.250 | 1.3/8 - 18 NEF |
| | 21.03 | 3.18 | 46.15 | 22.71 | 1.57 | 6.35 | 39.67 | 33.35 | 33.68 | 35.18 | 51.59 | 30.75 | |
| 22 | 0.890 | 0.125 | 1.942 | 0.894 | 0.062 | 0.250 | 1.687 | 1.438 | 1.451 | 1.510 | 2.156 | 1.375 | 1.1/2 - 18 NEF |
| | 22.61 | 3.18 | 49.33 | 22.71 | 1.57 | 6.35 | 42.85 | 36.53 | 36.86 | 38.35 | 54.76 | 34.93 | |
| 24 | 0.890 | 0.125 | 2.067 | 0.927 | 0.062 | 0.250 | 1.812 | 1.563 | 1.576 | 1.635 | 2.277 | 1.500 | 1.5/8 - 18 NEF |
| | 22.61 | 3.18 | 52.50 | 23.55 | 1.57 | 6.35 | 46.02 | 39.70 | 40.03 | 41.53 | 57.84 | 38.10 | |



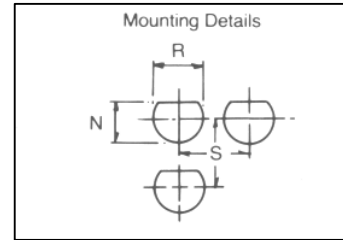
62GB-13H
MIL-C-26482 MS3113H

Solder mounting with plain shell and exposed solder buckets or flattened and pierced pins



| Shell Size | A max | B ± 0.005 (± 0.13) | c max | F ± 0.005 (± 0.13) | G max | J max | R ± 0.005 (± 0.13) | S min | Y dia. max |
|------------|-------|------------------------------|-------|------------------------------|-------|-------|------------------------------|-------|------------|
| 08 | 0.828 | 0.036 | 0.630 | 0.426 | 0.562 | 0.592 | 0.578 | 1.250 | 0.473 |
| | 21.03 | 0.91 | 16.00 | 10.82 | 14.27 | 15.04 | 14.68 | 31.75 | 12.01 |
| 10 | 0.828 | 0.036 | 0.755 | 0.426 | 0.672 | 0.592 | 0.687 | 1.359 | 0.590 |
| | 21.03 | 0.91 | 19.18 | 10.82 | 17.07 | 15.04 | 17.45 | 34.52 | 14.99 |
| 12 | 0.828 | 0.036 | 0.849 | 0.426 | 0.781 | 0.592 | 0.797 | 1.531 | 0.750 |
| | 21.03 | 0.91 | 21.56 | 10.82 | 19.84 | 15.04 | 20.24 | 38.89 | 19.05 |
| 14 | 0.828 | 0.036 | 0.974 | 0.426 | 0.906 | 0.592 | 0.922 | 1.656 | 0.875 |
| | 21.03 | 0.91 | 24.74 | 10.82 | 23.01 | 15.04 | 23.42 | 42.06 | 22.23 |
| 16 | 0.828 | 0.036 | 1.099 | 0.426 | 1.031 | 0.592 | 1.047 | 1.781 | 1.000 |
| | 21.03 | 0.91 | 27.91 | 10.82 | 26.19 | 15.04 | 26.59 | 45.24 | 25.40 |
| 18 | 0.828 | 0.036 | 1.223 | 0.426 | 1.156 | 0.592 | 1.172 | 1.891 | 1.125 |
| | 21.03 | 0.91 | 31.06 | 10.82 | 29.36 | 15.04 | 29.77 | 48.03 | 28.58 |
| 20 | 0.890 | 0.036 | 1.317 | 0.488 | 1.250 | 0.658 | 1.266 | 2.031 | 1.250 |
| | 22.61 | 0.91 | 33.45 | 12.40 | 31.75 | 16.70 | 32.16 | 51.59 | 30.75 |
| 22 | 0.890 | 0.036 | 1.443 | 0.488 | 1.375 | 0.686 | 1.390 | 2.156 | 1.375 |
| | 22.61 | 0.91 | 36.65 | 12.40 | 34.93 | 17.42 | 35.31 | 54.76 | 34.93 |
| 24 | 0.890 | 0.036 | 1.567 | 0.521 | 1.500 | 0.719 | 1.516 | 2.277 | 1.500 |
| | 22.61 | 0.91 | 39.80 | 13.23 | 38.10 | 18.26 | 38.51 | 57.84 | 38.10 |

Single Hole Fixing Receptacles

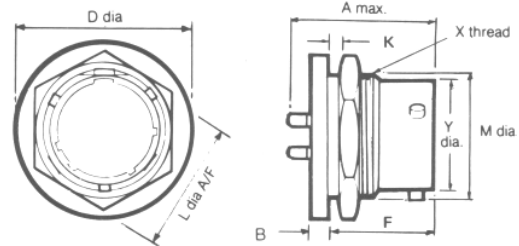


5005

62GB-5005-10
(RSRE SD/C 235025/X)

Single hole mounting plain shell with PC pin terminated contacts. Reduced diameter flange with panel 'O' seal

Size 10 only



| | A max | B +0.001 -0.002 (+0.03) (-0.03) | D dia. max | F +0.002 -0.003 (+0.05) (-0.08) | K min | max | M -0.005 (-0.13) | N ±0.003 (±0.08) | R +0.005 (+0.13) | S | Y dia. max. | X Thread | L dia |
|----|----------------|---|------------------|---|---------------|---------------|------------------------|------------------------|------------------------|----------------|-------------------|----------------|----------------|
| 10 | 0.877 22.28 | 0.065 1.65 | 0.880 22.35 | 0.681 17.29 | 0.062 1.58 | 0.125 3.18 | 0.655 16.64 | 0.659 16.74 | 0.690 17.52 | 1.017 25.83 | 0.590 14.99 | 11/16 – 24 NEF | 0.820 20.83 |

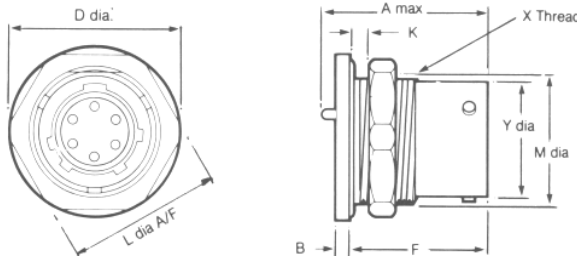


5036

62GB-5036-10
(RSRE SD/C235025/X)

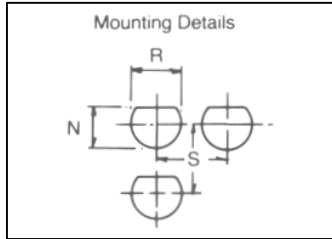
Single hole mounting with circular flange and P.C. terminations

Size 10 only



| Shell Size | A max | B +0.001 -0.002 (+0.03) (-0.05) | D dia. max | F +0.002 -0.003 (+0.05) (-0.08) | Y dia. max. | K min | max | M -0.005 (-0.13) | N ±0.003 (±0.08) | R +0.005 (+0.13) | S | X Thread | L dia |
|------------|----------------|---|------------------|---|-------------------|---------------|---------------|------------------------|------------------------|------------------------|----------------|----------------|----------------|
| 10 | 0.829 21.06 | 0.066 1.67 | 0.880 22.35 | 0.679 17.25 | 0.590 14.99 | 0.062 1.57 | 0.125 3.18 | 0.655 16.63 | 0.659 16.47 | 0.690 17.52 | 1.017 25.83 | 11/16 – 24 NEF | 0.820 20.83 |

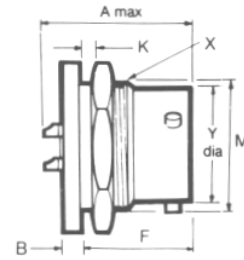
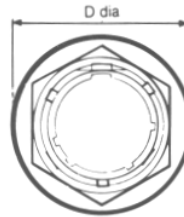
Single Hole Fixing Receptacles



62GB-5016-10
(RSRE SD/C 235025/X)

Single hole mounting plain shell for direct wiring to exposed solder buckets. Reduced diameter flange with panel 'O' ring seal

Solder bucket: Size 10 only



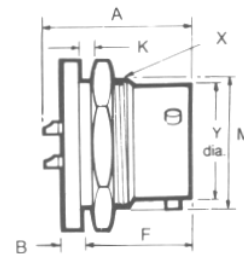
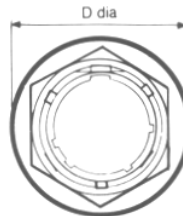
| Shell Size | A max | B +0.002 -0.001 (+0.05) (-0.03) | D dia. max | F + 0.003 - 0.002 (+ 0.08) (- 0.05) | min | K max | M - 0.010 (- 0.25) | N ± 0.005 (± 0.13) | R + 0.005 (+ 0.13) | S | Y dia. max. | X Thread |
|------------|----------------|---|----------------|---|---------------|---------------|--------------------------|--------------------------|--------------------------|----------------|----------------|----------------|
| 10 | 0.902 22.91 | 0.064 1.62 | 0.880 22.35 | 0.678 17.21 | 0.062 1.58 | 0.125 3.18 | 0.655 16.63 | 0.665 16.89 | 0.697 17.70 | 1.359 34.52 | 0.590 14.99 | 11/16 - 24 NEF |



62GB-5024
(RSRE SD/C 35077/X)

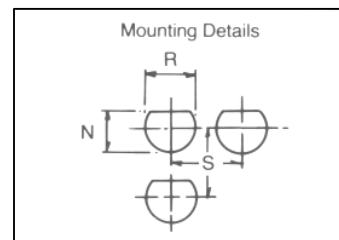
Single hole mounting plain shell for direct wiring to exposed solder buckets. Reduced diameter flange with panel 'O' ring seal

Solder buckets: Size 8, 12 and 14 only

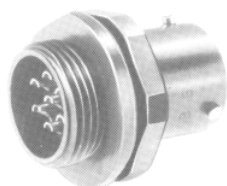


| Shell Size | A max | B ± 0.005 (± 0.13) | D dia. max | F ± 0.005 (± 0.13) | min | K max | M - 0.005 (- 0.13) | N ± 0.005 (± 0.13) | R ± 0.005 (± 0.13) | S min | Y dia. max | X Thread |
|------------|-------|--------------------------|---------------|--------------------------|-------|-------|--------------------------|--------------------------|--------------------------|-------|---------------|---------------|
| 08 | 0.978 | 0.117 | 0.830 | 0.706 | 0.062 | 0.125 | 0.527 | 0.540 | 0.572 | 1.250 | 0.473 | 9/16 - 24 NEF |
| | 24.84 | 2.97 | 21.08 | 17.93 | 1.58 | 3.18 | 13.3 | 13.72 | 14.53 | 31.75 | 12.03 | |
| 12 | 0.978 | 0.117 | 1.130 | 0.706 | 0.062 | 0.125 | 0.815 | 0.828 | 0.885 | 1.531 | 0.750 | 7/8 - 20 UNEF |
| | 24.84 | 2.97 | 28.70 | 17.93 | 1.58 | 3.18 | 20.70 | 21.03 | 22.48 | 38.89 | 19.05 | |
| 14 | 0.978 | 0.117 | 1.260 | 0.706 | 0.062 | 0.125 | 0.939 | 0.952 | 1.010 | 1.656 | 0.875 | 1 - 20 UNEF |
| | 24.84 | 2.97 | 32.00 | 17.93 | 1.58 | 3.18 | 23.85 | 24.18 | 25.65 | 42.06 | 22.23 | |

Single Hole Fixing Receptacles



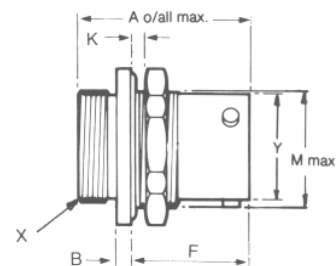
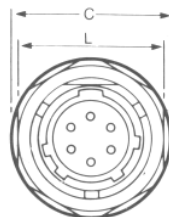
5052



62GB-5052-10

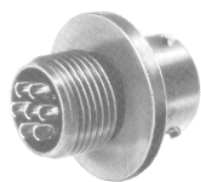
Single hole fixing with circular flange and back end thread - solder termination

Size 10 only



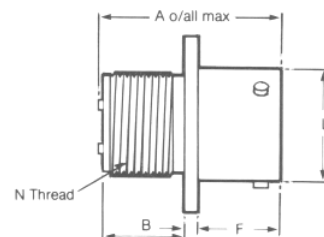
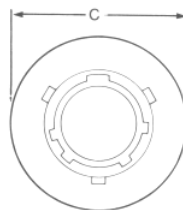
| Shell Size | A max | B (± 0.05) (± 0.03) | C max. sq. | F + 0.003 - 0.002 (+ 0.08) (- 0.05) | K min max | | L | M - 0.005 (- 0.13) | N ± 0.005 (± 0.13) | R ± 0.005 (± 0.13) | S ± 0.005 (± 0.13) | X Thread |
|------------|----------------|---------------------------|----------------|---|---------------|---------------|----------------|--------------------------|--------------------------|--------------------------|--------------------------|--------------|
| 10 | 0.947 24.06 | 0.062 1.58 | 0.880 22.35 | 0.677 17.19 | 0.062 1.58 | 0.125 3.18 | 0.820 20.83 | 0.650 16.51 | 5/8 - 24 UNEF | 0.697 17.70 | 1.359 34.52 | 5/8 - 24 NEF |

5030



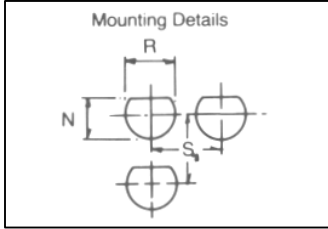
62GB-5030

Bulkhead mounting receptacle with solder terminations

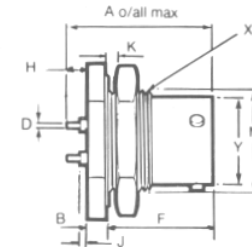
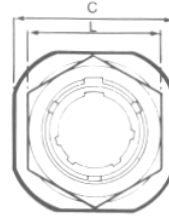


| Shell Size | A max | B ± 0.005 (± 0.13) | C ± 0.010 (± 0.25) | F ± 0.005 (± 0.13) | L | N Thread |
|------------|-------|--------------------------|--------------------------|--------------------------|-------|-----------------|
| 08 | 0.978 | 0.094 | 0.812 | 0.415 | 0.563 | 7/16 - 28 UNEF |
| | 24.85 | 2.39 | 20.63 | 10.54 | 14.30 | |
| 10 | 0.978 | 0.094 | 0.937 | 0.415 | 0.680 | 9/16 - 24 NEF |
| | 24.85 | 2.39 | 23.80 | 10.54 | 17.28 | |
| 12 | 0.978 | 0.094 | 1.031 | 0.415 | 0.859 | 11/16 - 24 NEF |
| | 24.85 | 2.39 | 26.19 | 10.54 | 21.82 | |
| 14 | 0.978 | 0.094 | 1.125 | 0.415 | 0.984 | 13/16 - 20 UNEF |
| | 24.85 | 2.39 | 28.58 | 10.54 | 25.00 | |
| 16 | 0.978 | 0.094 | 1.218 | 0.415 | 1.108 | 15/16 - 20 UNEF |
| | 24.85 | 2.39 | 30.94 | 10.54 | 28.15 | |
| 18 | 0.978 | 0.094 | 1.3121 | 0.415 | 1.233 | 1.1/16 - 18NEF |
| | 24.85 | 2.39 | 33.33 | 10.54 | 31.32 | |
| 20 | 1.048 | 0.102 | 1.437 | 0.535 | 1.358 | 1.3/16 - 18NEF |
| | 26.62 | 2.59 | 36.50 | 13.59 | 34.50 | |
| 22 | 1.048 | 0.102 | 1.562 | 0.535 | 1.483 | 1.5/16 - 18 NEF |
| | 26.62 | 2.59 | 39.68 | 13.59 | 37.67 | |
| 24 | 1.048 | 0.102 | 1.687 | 0.572 | 1.610 | 1.7/16 - 18 NEF |
| | 26.62 | 2.59 | 42.85 | 14.53 | 40.90 | |

Single Hole Fixing Receptacles



62G B-5065
BS9522-F0017 C2261

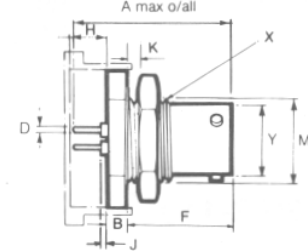
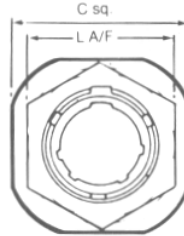


Single hole mounting with plain shell and film wire terminations

| Shell Size | A max | B ± 0.005 (± 0.13) | C sq. | D | | F ± 0.005 (± 0.13) | | H | | J ± 0.020 (± 0.51) | K | | L | M -0.005 (-0.13) | N ± 0.005 (± 0.13) | R ± 0.005 (± 0.13) | S | Y | X Thread |
|------------|-------|--------------------|-------|-------|-------|--------------------|-------|-------|-------|--------------------|-------|-------|-------|------------------|--------------------|--------------------|-------|----------------|----------|
| | | | | max | min | max | min | max | min | | min | max | | | | | | | |
| 08 | 1.021 | 0.117 | 0.942 | 0.030 | 0.028 | 0.706 | 0.218 | 0.178 | 0.060 | 0.062 | 0.125 | 0.750 | 0.527 | 0.540 | 0.572 | 1.250 | 0.473 | 9/16 - 24 NEF | |
| | 25.94 | 2.97 | 23.93 | 0.76 | 0.71 | 17.93 | 5.54 | 4.52 | 1.52 | 1.58 | 3.18 | 19.05 | 13.3 | 13.72 | 14.53 | 31.75 | 12.03 | | |
| 10 | 1.021 | 0.117 | 1.067 | 0.030 | 0.028 | 0.706 | 0.218 | 0.178 | 0.060 | 0.062 | 0.125 | 0.875 | 0.652 | 0.665 | 0.697 | 1.359 | 0.590 | 11/16 - 24 NEF | |
| | 25.94 | 2.97 | 27.10 | 0.76 | 0.71 | 17.93 | 5.54 | 4.52 | 1.52 | 1.58 | 3.18 | 22.23 | 16.56 | 16.89 | 17.70 | 34.52 | 14.99 | | |
| 12 | 1.021 | 0.117 | 1.255 | 0.030 | 0.028 | 0.706 | 0.218 | 0.178 | 0.060 | 0.062 | 0.125 | 1.062 | 0.815 | 0.828 | 0.885 | 1.531 | 0.750 | 7/8 - 20 UNEF | |
| | 25.94 | 2.97 | 31.88 | 0.76 | 0.71 | 17.93 | 5.54 | 4.52 | 1.52 | 1.58 | 3.18 | 26.98 | 20.70 | 21.03 | 22.48 | 38.89 | 19.05 | | |
| 14 | 1.021 | 0.117 | 1.380 | 0.030 | 0.028 | 0.706 | 0.218 | 0.178 | 0.060 | 0.062 | 0.125 | 1.187 | 0.939 | 0.952 | 1.010 | 1.656 | 0.875 | 1 - 20 UNEF | |
| | 25.94 | 2.97 | 35.05 | 0.76 | 0.71 | 17.93 | 5.54 | 4.52 | 1.52 | 1.58 | 3.18 | 30.15 | 23.85 | 24.18 | 25.65 | 42.06 | 22.23 | | |
| 16 | 1.021 | 0.117 | 1.505 | 0.030 | 0.028 | 0.706 | 0.218 | 0.178 | 0.060 | 0.062 | 0.125 | 1.312 | 1.063 | 1.076 | 1.135 | 1.781 | 1.000 | 1.1/8 - 18 NEF | |
| | 25.94 | 2.97 | 38.23 | 0.76 | 0.71 | 17.93 | 5.54 | 4.52 | 1.52 | 1.58 | 3.18 | 33.32 | 27.00 | 27.33 | 28.83 | 45.24 | 25.40 | | |
| 18 | 1.021 | 0.117 | 1.630 | 0.030 | 0.028 | 0.706 | 0.218 | 0.178 | 0.060 | 0.062 | 0.125 | 1.437 | 1.188 | 1.201 | 1.260 | 1.891 | 1.125 | 1.1/4 - 18 NEF | |
| | 25.94 | 2.97 | 41.40 | 0.76 | 0.71 | 17.93 | 5.54 | 4.52 | 1.52 | 1.58 | 3.18 | 36.50 | 30.18 | 30.50 | 32.00 | 48.03 | 28.58 | | |
| 20 | 1.240 | 0.148 | 1.817 | 0.030 | 0.028 | 0.894 | 0.218 | 0.178 | 0.060 | 0.062 | 0.250 | 1.562 | 1.313 | 1.326 | 1.385 | 2.031 | 1.250 | 1.3/8 - 18 NEF | |
| | 31.50 | 3.76 | 46.15 | 0.76 | 0.71 | 22.71 | 5.54 | 4.52 | 1.52 | 1.58 | 6.35 | 38.68 | 33.35 | 33.68 | 35.18 | 51.59 | 31.75 | | |
| 22 | 1.240 | 0.148 | 1.942 | 0.030 | 0.028 | 0.894 | 0.218 | 0.178 | 0.060 | 0.062 | 0.250 | 1.687 | 1.438 | 1.451 | 1.510 | 2.156 | 1.375 | 1.1/2 - 18 NEF | |
| | 31.50 | 3.76 | 49.33 | 0.76 | 0.71 | 22.71 | 5.54 | 4.52 | 1.52 | 1.58 | 6.35 | 42.85 | 36.53 | 36.855 | 38.35 | 54.76 | 34.93 | | |
| 24 | 1.273 | 0.148 | 2.067 | 0.030 | 0.028 | 0.927 | 0.218 | 0.178 | 0.060 | 0.062 | 0.250 | 1.812 | 1.563 | 1.576 | 1.635 | 2.277 | 1.500 | 1.5/8 - 18 NEF | |
| | 32.34 | 3.76 | 52.50 | 0.76 | 0.71 | 23.55 | 5.54 | 4.52 | 1.52 | 1.58 | 6.35 | 46.05 | 39.70 | 40.03 | 41.45 | 57.84 | 38.10 | | |



62GB-5067
BS9522 - F0017 - C2261



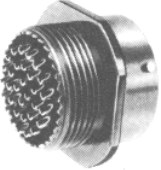
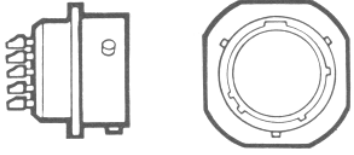

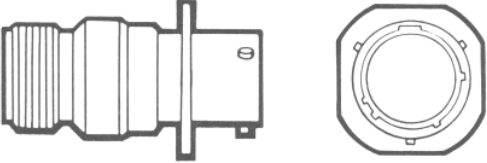
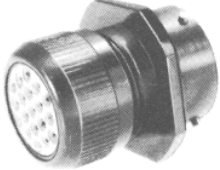
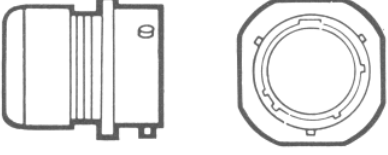
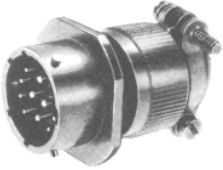
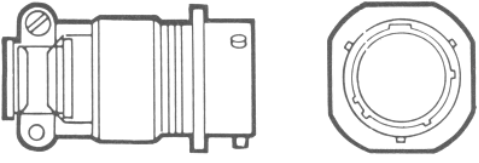
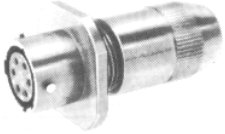
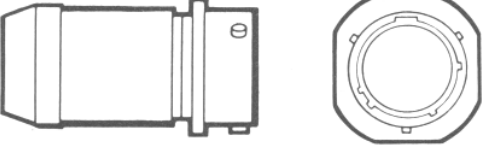
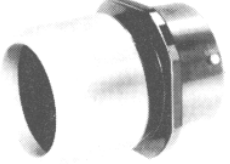
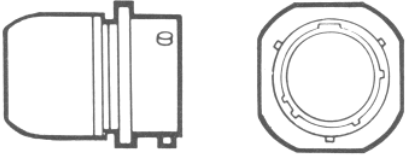
Single hole mounting with plain shell and film wire terminations

| Shell Size | A max | B ± 0.005 (± 0.13) | C max sq. | D | | F ± 0.005 (± 0.13) | | H | | J ± 0.012 (± 0.30) | K | | L | M -0.005 (-0.13) | N ± 0.005 (± 0.13) | R ± 0.005 (± 0.13) | S | Y | X Thread |
|------------|-------|--------------------|-----------|-------|-------|--------------------|-------|-------|-------|--------------------|-------|-------|-------|------------------|--------------------|--------------------|-------|----------------|----------|
| | | | | max | min | max | min | max | min | | min | max | | | | | | | |
| 08 | 1.095 | 0.117 | 0.942 | 0.030 | 0.028 | 0.706 | 0.262 | 0.230 | 0.049 | 0.062 | 0.125 | 0.750 | 0.527 | 0.540 | 0.572 | 1.250 | 0.473 | 9/16 - 24 NEF | |
| | 27.81 | 2.97 | 23.93 | 0.76 | 0.71 | 17.93 | 6.66 | 5.85 | 1.24 | 1.58 | 3.18 | 19.05 | 13.3 | 13.72 | 14.53 | 31.75 | 12.03 | | |
| 10 | 1.095 | 0.117 | 1.067 | 0.030 | 0.028 | 0.706 | 0.262 | 0.230 | 0.049 | 0.062 | 0.125 | 0.875 | 0.652 | 0.665 | 0.697 | 1.359 | 0.590 | 11/16 - 24 NEF | |
| | 27.81 | 2.97 | 27.10 | 0.76 | 0.71 | 17.93 | 6.66 | 5.85 | 1.24 | 1.58 | 3.18 | 22.23 | 16.56 | 16.89 | 17.70 | 34.52 | 14.99 | | |
| 12 | 1.095 | 0.117 | 1.255 | 0.030 | 0.028 | 0.706 | 0.262 | 0.230 | 0.049 | 0.062 | 0.125 | 1.062 | 0.815 | 0.828 | 0.885 | 1.531 | 0.750 | 7/8 - 20 UNEF | |
| | 27.81 | 2.97 | 31.88 | 0.76 | 0.71 | 17.93 | 6.66 | 5.85 | 1.24 | 1.58 | 3.18 | 26.98 | 20.70 | 21.03 | 22.50 | 38.89 | 19.05 | | |
| 14 | 1.095 | 0.117 | 1.380 | 0.030 | 0.028 | 0.706 | 0.262 | 0.230 | 0.049 | 0.062 | 0.125 | 1.187 | 0.939 | 0.952 | 1.010 | 1.656 | 0.875 | 1 - 20 UNEF | |
| | 27.81 | 2.97 | 35.10 | 0.76 | 0.71 | 17.93 | 6.66 | 5.85 | 1.24 | 1.58 | 3.18 | 30.15 | 23.85 | 24.18 | 25.65 | 42.06 | 22.23 | | |
| 16 | 1.095 | 0.117 | 1.505 | 0.030 | 0.028 | 0.706 | 0.262 | 0.230 | 0.049 | 0.062 | 0.125 | 1.312 | 1.063 | 1.076 | 1.135 | 1.781 | 1.000 | 1.1/8 - 18 NEF | |
| | 27.81 | 2.97 | 38.23 | 0.76 | 0.71 | 17.93 | 6.66 | 5.85 | 1.24 | 1.58 | 3.18 | 33.32 | 27.00 | 27.33 | 28.83 | 45.24 | 25.40 | | |
| 18 | 1.095 | 0.117 | 1.630 | 0.030 | 0.028 | 0.706 | 0.262 | 0.230 | 0.049 | 0.062 | 0.125 | 1.437 | 1.188 | 1.201 | 1.260 | 1.891 | 1.125 | 1.1/4 - 18 NEF | |
| | 27.81 | 2.97 | 41.40 | 0.76 | 0.71 | 17.93 | 6.66 | 5.85 | 1.24 | 1.58 | 3.18 | 36.50 | 30.18 | 30.51 | 32.00 | 48.03 | 28.58 | | |
| 20 | 1.309 | 0.148 | 1.817 | 0.030 | 0.028 | 0.894 | 0.262 | 0.230 | 0.049 | 0.062 | 0.250 | 1.562 | 1.313 | 1.326 | 1.385 | 2.031 | 1.250 | 1.3/8 - 18 NEF | |
| | 33.24 | 3.76 | 46.15 | 0.76 | 0.71 | 22.71 | 6.66 | 5.85 | 1.24 | 1.58 | 6.35 | 38.68 | 33.35 | 33.68 | 35.18 | 51.59 | 31.75 | | |
| 22 | 1.309 | 0.148 | 1.942 | 0.030 | 0.028 | 0.894 | 0.262 | 0.230 | 0.049 | 0.062 | 0.250 | 1.687 | 1.438 | 1.451 | 1.510 | 2.156 | 1.375 | 1.1/2 - 18 NEF | |
| | 33.24 | 3.76 | 49.33 | 0.76 | 0.71 | 22.71 | 6.66 | 5.85 | 1.24 | 1.58 | 6.35 | 42.85 | 36.53 | 36.86 | 38.35 | 54.76 | 34.93 | | |
| 24 | 1.342 | 0.148 | 2.067 | 0.030 | 0.028 | 0.927 | 0.262 | 0.230 | 0.049 | 0.062 | 0.250 | 1.812 | 1.563 | 1.576 | 1.635 | 2.277 | 1.500 | 1.5/8 - 18 NEF | |
| | 34.08 | 3.76 | 52.50 | 0.76 | 0.71 | 23.55 | 6.66 | 5.85 | 1.24 | 1.58 | 6.35 | 46.05 | 39.70 | 40.03 | 41.59 | 57.84 | 38.10 | | |

Cable Mounting Receptacles

Table of Styles

Page No.

| | | | |
|----------|---|--|----|
| 62GB-51T |  |  | 32 |
| 62GB-11A |  |  | 32 |
| 62GB-11E |  |  | 33 |
| 62GB-11F |  |  | 33 |
| 62GB-11J |  |  | 34 |
| 62GB-11P |  |  | 34 |

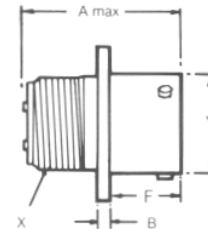
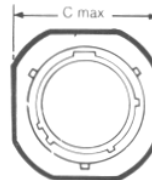
Cable Mounting Receptacles

51T



62GB-51T
BS9522-F0017-C2101

Basic cable mounting receptacle with threaded shell to accept standard cable accessories.



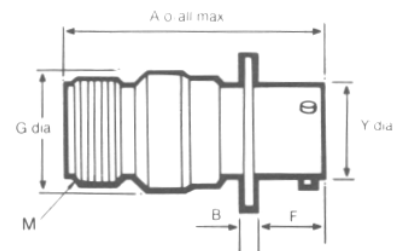
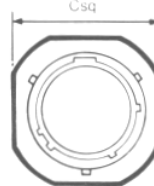
| Shell Size | A max | B ± 0.005 (± 0.13) | C max sq | F ± 0.005 (± 0.13) | Y dia max | X Thread |
|------------|-------|--------------------|----------|--------------------|-----------|-----------------|
| 08 | 0.978 | 0.094 | 0.817 | 0.415 | 0.473 | 7/16 - 28 UNEF |
| | 24.84 | 2.39 | 20.75 | 10.54 | 12.03 | |
| 10 | 0.978 | 0.094 | 0.942 | 0.415 | 0.590 | 9/16 - 24 NEF |
| | 24.84 | 2.39 | 23.93 | 10.54 | 14.99 | |
| 12 | 0.978 | 0.094 | 1.036 | 0.415 | 0.750 | 11 /16 - 24 NEF |
| | 24.84 | 2.39 | 26.32 | 10.54 | 19.05 | |
| 14 | 0.978 | 0.094 | 1.130 | 0.415 | 0.875 | 13/16 - 20 UNEF |
| | 24.84 | 2.39 | 28.70 | 10.54 | 22.23 | |
| 16 | 0.978 | 0.094 | 1.223 | 0.415 | 1.000 | 15/16 - 20 UNEF |
| | 24.84 | 2.39 | 31.07 | 10.54 | 25.40 | |
| 18 | 0.978 | 0.094 | 1.317 | 0.415 | 1.125 | 1.1/16 -18 NEF |
| | 24.84 | 2.39 | 33.45 | 10.54 | 28.58 | |
| 20 | 1.048 | 0.102 | 1.442 | 0.535 | 1.250 | 1.3/16 -18 NEF |
| | 26.62 | 2.59 | 36.63 | 13.59 | 31.75 | |
| 22 | 1.048 | 0.102 | 1.567 | 0.535 | 1.375 | 1.5/16 -18 NEF |
| | 26.62 | 2.59 | 39.80 | 13.59 | 34.93 | |
| 24 | 1.048 | 0.102 | 1.692 | 0.560 / 0.574 | 1.500 | 1.7/16 -18 NEF |
| | 26.62 | 2.59 | 42.98 | 14.23 / 14.58 | 38.10 | |

11A



62GB-11A

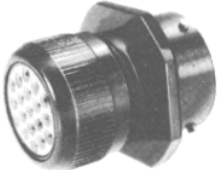
Cable mounting receptacle with general duty back shell. No grommet supplied.



| Shell Size | A max | B ± 0.005 (± 0.13) | C max sq | F ± 0.005 (± 0.13) | G dia max | Y Dia max | M Thread |
|------------|-------|--------------------|----------|--------------------|-----------|-----------|-----------------|
| 08 | 1.624 | 0.094 | 0.817 | 0.415 | 0.561 | 0.473 | 1/2 - 28 UNEF |
| | 41.25 | 2.39 | 20.75 | 10.54 | 14.25 | 12.03 | |
| 10 | 1.624 | 0.094 | 0.942 | 0.415 | 0.686 | 0.590 | 5/8 - 24 NEF |
| | 41.25 | 2.39 | 23.93 | 10.54 | 17.43 | 14.99 | |
| 12 | 1.624 | 0.094 | 1.036 | 0.415 | 0.811 | 0.750 | 3/4 - 20 UNEF |
| | 41.25 | 2.39 | 26.32 | 10.54 | 20.60 | 19.05 | |
| 14 | 1.624 | 0.094 | 1.130 | 0.415 | 0.936 | 0.875 | 7/8 - 20 UNEF |
| | 41.25 | 2.39 | 28.70 | 10.54 | 23.78 | 22.23 | |
| 16 | 1.624 | 0.094 | 1.223 | 0.415 | 1.061 | 1.000 | 1 - 20 UNEF |
| | 41.25 | 2.39 | 31.07 | 10.54 | 26.95 | 25.40 | |
| 18 | 1.624 | 0.094 | 1.317 | 0.415 | 1.186 | 1.125 | 1.3/16 - 18 NEF |
| | 41.25 | 2.39 | 33.45 | 10.54 | 30.13 | 28.58 | |
| 20 | 1.687 | 0.104 / 0.100 | 1.442 | 0.535 | 1.311 | 1.250 | 1 3/16 -18 NEF |
| | 42.85 | 2.64 / 2.55 | 36.63 | 13.59 | 33.30 | 31.75 | |
| 22 | 1.687 | 0.104 / 0.100 | 1.567 | 0.535 | 1.436 | 1.375 | 1.7/16 -18 NEF |
| | 42.85 | 2.64 / 2.55 | 39.80 | 13.59 | 36.75 | 34.93 | |
| 24 | 1.730 | 0.104 / 0.100 | 1.692 | 0.569 / 0.574 | 1.561 | 1.500 | 1.7/16 -18 NEF |
| | 43.94 | 2.64 / 2.55 | 42.98 | 14.45 / 14.58 | 39.65 | 38.10 | |

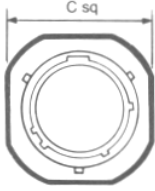
Cable Mounting Receptacles

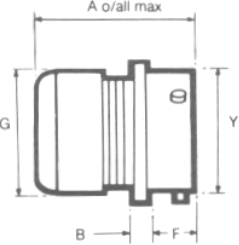
11E



62GB-11E
MIL-C-26482 MS3111E

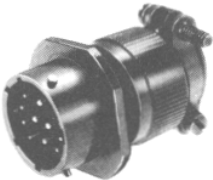
Cable mounting receptacle with grommet and grommet nut





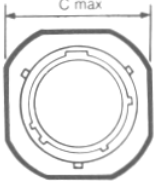
| Shell Size | A max | B ± 0.005 (± 0.13) | C max sq | F ± 0.005 (± 0.13) | G dia max | Y dia max |
|------------|-------|--------------------|----------|--------------------|-----------|-----------|
| 08 | 1.281 | 0.094 | 0.817 | 0.415 | 0.561 | 0.473 |
| | 32.54 | 2.39 | 20.75 | 10.54 | 14.25 | 12.03 |
| 10 | 1.281 | 0.094 | 0.942 | 0.415 | 0.686 | 0.590 |
| | 32.54 | 2.39 | 23.93 | 10.54 | 17.43 | 14.99 |
| 12 | 1.281 | 0.094 | 1.036 | 0.415 | 0.811 | 0.750 |
| | 32.54 | 2.39 | 26.32 | 10.54 | 20.60 | 19.05 |
| 14 | 1.281 | 0.094 | 1.130 | 0.415 | 0.936 | 0.875 |
| | 32.54 | 2.39 | 28.70 | 10.54 | 23.78 | 22.23 |
| 16 | 1.281 | 0.094 | 1.223 | 0.415 | 1.061 | 1.000 |
| | 32.54 | 2.39 | 31.07 | 10.54 | 26.95 | 25.40 |
| 18 | 1.281 | 0.094 | 1.317 | 0.415 | 1.186 | 1.125 |
| | 32.54 | 2.39 | 33.45 | 10.54 | 30.13 | 28.58 |
| 20 | 1.383 | 0.102 | 1.442 | 0.535 | 1.311 | 1.250 |
| | 35.13 | 2.59 | 36.63 | 13.59 | 33.30 | 31.75 |
| 22 | 1.383 | 0.102 | 1.567 | 0.535 | 1.436 | 1.375 |
| | 35.13 | 2.59 | 39.80 | 13.59 | 36.75 | 34.93 |
| 24 | 1.383 | 0.102 | 1.692 | 0.569 / 0.574 | 1.561 | 1.500 |
| | 35.13 | 2.59 | 42.98 | 14.45 / 14.58 | 39.65 | 38.10 |

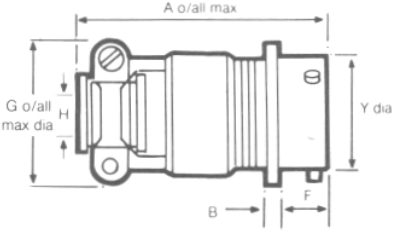
11F



62GB-11F
MIL-C-26482 MS3111F

Cable mounting receptacle with grommet and grommet nut fitted with integral strain relief clamp



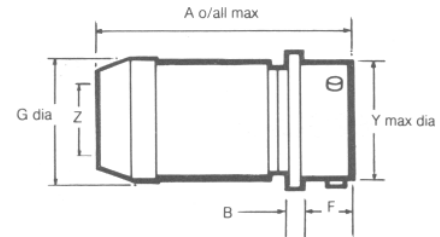
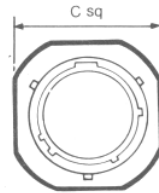


| Shell Size | A max | B ± 0.005 (± 0.13) | C max sq | F ± 0.005 (± 0.13) | G dia max | H ± 0.005 (± 0.13) | Y dia max |
|------------|-------|--------------------|----------|--------------------|-----------|--------------------|-----------|
| 08 | 1.762 | 0.094 | 0.817 | 0.415 | 0.828 | 0.156 | 0.473 |
| | 44.75 | 2.39 | 20.75 | 10.54 | 21.03 | 3.96 | 12.03 |
| 10 | 1.762 | 0.094 | 0.942 | 0.415 | 0.891 | 0.188 | 0.590 |
| | 44.75 | 2.39 | 23.93 | 10.54 | 22.63 | 4.78 | 14.99 |
| 12 | 1.762 | 0.094 | 1.036 | 0.415 | 1.016 | 0.312 | 0.750 |
| | 44.75 | 2.39 | 26.32 | 10.54 | 25.81 | 7.93 | 19.05 |
| 14 | 1.736 | 0.094 | 1.130 | 0.415 | 1.141 | 0.375 | 0.875 |
| | 44.10 | 2.39 | 28.70 | 10.54 | 28.97 | 9.53 | 22.23 |
| 16 | 1.876 | 0.094 | 1.223 | 0.415 | 1.203 | 0.500 | 1.000 |
| | 47.65 | 2.39 | 31.07 | 10.54 | 30.56 | 12.7 | 25.40 |
| 18 | 1.876 | 0.094 | 1.317 | 0.415 | 1.426 | 0.625 | 1.125 |
| | 47.65 | 2.39 | 33.45 | 10.54 | 36.22 | 15.88 | 28.58 |
| 20 | 2.118 | 0.104 / 0.100 | 1.442 | 0.535 | 1.426 | 0.625 | 1.250 |
| | 53.80 | 2.64 / 2.55 | 36.63 | 13.59 | 36.22 | 15.88 | 31.75 |
| 22 | 2.118 | 0.104 / 0.100 | 1.567 | 0.535 | 1.567 | 0.750 | 1.375 |
| | 53.80 | 2.64 / 2.55 | 39.80 | 13.59 | 39.80 | 19.05 | 34.93 |
| 24 | 2.250 | 0.104 / 0.100 | 1.692 | 0.569 / 0.574 | 1.735 | 0.800 | 1.500 |
| | 57.15 | 2.64 / 2.55 | 42.98 | 14.45 / 14.58 | 44.07 | 20.32 | 38.10 |

Cable Mounting Receptacles

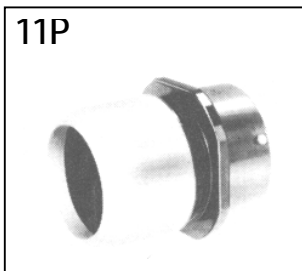


62GB-11J

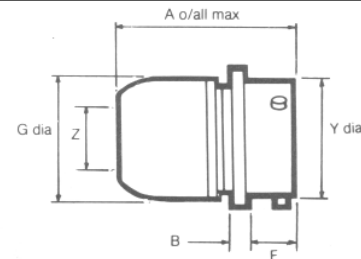
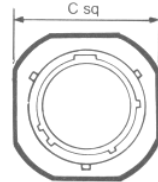


With cable clamp for unscreened jacketed cable. No grommet supplied

| Shell Size | A max | B ± 0.005 (± 0.13) | C max sq | F ± 0.005 (± 0.13) | G dia max | Y dia max | min closed | Z max free |
|------------|-------|--------------------|----------|--------------------|-----------|-----------|------------|------------|
| 08 | 1.846 | 0.094 | 0.817 | 0.415 | 0.561 | 0.473 | 0.168 | 0.230 |
| | 46.89 | 2.39 | 20.75 | 10.54 | 14.25 | 12.03 | 4.28 | 5.84 |
| 10 | 1.846 | 0.094 | 0.942 | 0.415 | 0.686 | 0.590 | 0.205 | 0.312 |
| | 46.89 | 2.39 | 23.93 | 10.54 | 17.43 | 14.99 | 5.21 | 7.93 |
| 12 | 1.947 | 0.094 | 1.036 | 0.415 | 0.811 | 0.750 | 0.338 | 0.442 |
| | 49.45 | 2.39 | 26.32 | 10.54 | 20.60 | 19.05 | 8.59 | 11.23 |
| 14 | 2.147 | 0.094 | 1.130 | 0.415 | 0.936 | 0.875 | 0.416 | 0.539 |
| | 54.54 | 2.39 | 28.70 | 10.54 | 23.78 | 22.23 | 10.57 | 13.69 |
| 16 | 2.347 | 0.094 | 1.223 | 0.415 | 1.061 | 1.000 | 0.550 | 0.616 |
| | 59.61 | 2.39 | 31.07 | 10.54 | 26.95 | 25.40 | 13.97 | 15.65 |
| 18 | 2.547 | 0.094 | 1.317 | 0.415 | 1.186 | 1.125 | 0.600 | 0.672 |
| | 64.70 | 2.39 | 33.45 | 10.54 | 30.13 | 28.58 | 15.24 | 17.07 |
| 20 | 2.831 | 0.102 | 1.442 | 0.535 | 1.311 | 1.250 | 0.635 | 0.747 |
| | 71.91 | 2.59 | 36.63 | 13.59 | 33.30 | 31.75 | 16.13 | 18.98 |
| 22 | 3.031 | 0.102 | 1.567 | 0.535 | 1.436 | 1.375 | 0.670 | 0.846 |
| | 76.99 | 2.59 | 39.80 | 13.59 | 36.75 | 34.93 | 17.02 | 21.49 |
| 24 | 3.074 | 0.102 | 1.692 | 0.569 / 0.574 | 1.561 | 1.500 | 0.740 | 0.894 |
| | 78.03 | 2.59 | 42.98 | 14.45 / 14.58 | 39.65 | 38.10 | 18.80 | 22.71 |



62GB-11P
MIL-C-26482 MS3111P

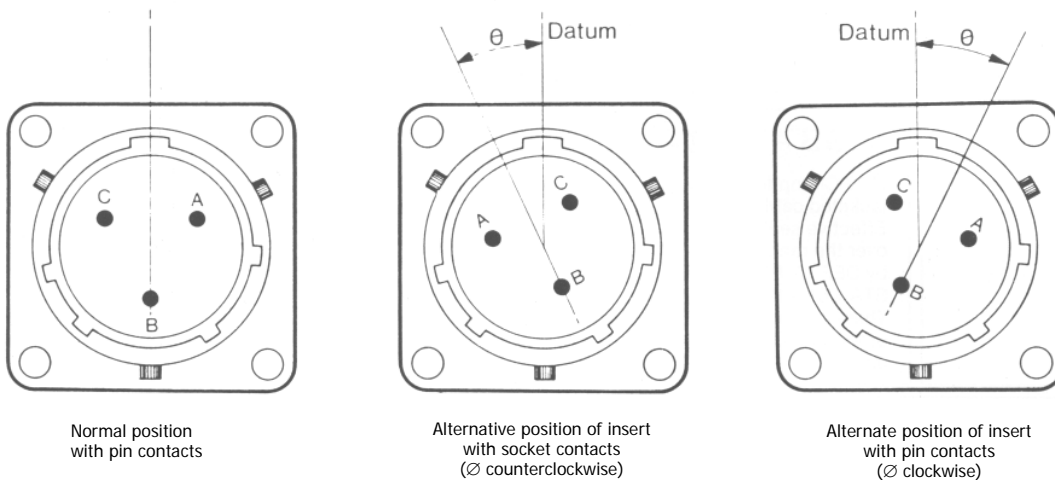


For potted seal supplied complete with detachable potting mould and location ring

| Shell Size | A max | B ± 0.005 (± 0.13) | C max sq | F ± 0.005 (± 0.13) | G dia max | Y dia max | Z min |
|------------|-------|--------------------|----------|--------------------|-----------|-----------|-------|
| 08 | 1.316 | 0.094 | 0.817 | 0.415 | 0.572 | 0.473 | 0.260 |
| | 33.43 | 2.39 | 20.75 | 10.54 | 14.53 | 12.03 | 6.60 |
| 10 | 1.425 | 0.094 | 0.942 | 0.415 | 0.666 | 0.590 | 0.463 |
| | 36.20 | 2.39 | 23.93 | 10.54 | 16.92 | 14.99 | 11.76 |
| 12 | 1.394 | 0.094 | 1.036 | 0.415 | 0.822 | 0.750 | 0.557 |
| | 35.41 | 2.39 | 26.32 | 10.54 | 20.88 | 19.05 | 14.15 |
| 14 | 1.394 | 0.094 | 1.130 | 0.415 | 0.907 | 0.875 | 0.590 |
| | 35.41 | 2.39 | 28.70 | 10.54 | 23.04 | 22.23 | 14.99 |
| 16 | 1.394 | 0.094 | 1.223 | 0.415 | 1.040 | 1.000 | 0.713 |
| | 35.41 | 2.39 | 31.07 | 10.54 | 26.42 | 25.40 | 18.11 |
| 18 | 1.394 | 0.094 | 1.317 | 0.415 | 1.165 | 1.125 | 0.835 |
| | 35.41 | 2.39 | 33.45 | 10.54 | 29.59 | 28.58 | 22.21 |
| 20 | 1.612 | 0.102 | 1.442 | 0.535 | 1.285 | 1.250 | 1.015 |
| | 40.95 | 2.59 | 36.63 | 13.59 | 32.64 | 31.75 | 25.78 |
| 22 | 1.612 | 0.102 | 1.567 | 0.535 | 1.400 | 1.375 | 1.015 |
| | 40.95 | 2.59 | 39.80 | 13.59 | 35.56 | 34.93 | 25.78 |
| 24 | 1.674 | 0.102 | 1.692 | 0.569 / 0.574 | 1.540 | 1.500 | 1.265 |
| | 42.52 | 2.59 | 42.98 | 14.45 / 14.58 | 39.12 | 38.10 | 32.13 |

Insert Orientations

For M I L-C-26482 and for replacement purposes in BS9522 FOO 17

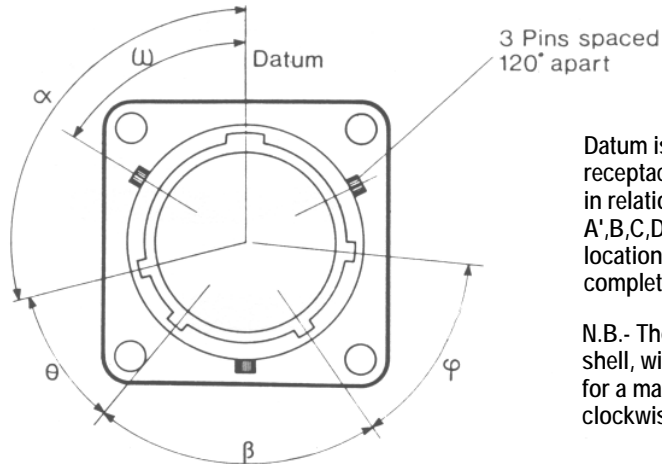


Each diagram shows mating face of insert.

| Insert Arrangement | Normal | Orientation ∅ (degrees) | | | Z |
|--------------------|--------|-------------------------|-----|-----|-----|
| | | W | X | Y | |
| 8-2 | 0 | 58 | 122 | - | - |
| 8-3 | 0 | 60 | 210 | - | - |
| 8-33 | 0 | 90 | - | - | - |
| 8-4 | 0 | 45 | - | - | - |
| 8-98 | 0 | - | - | - | - |
| 10-2 | 0 | - | - | - | - |
| 10-6 | 0 | 90 | - | - | - |
| 10-7 | 0 | - | - | - | - |
| 12-3 | 0 | - | - | 180 | - |
| 12-10 | 0 | 60 | 155 | 270 | 295 |
| 14-5 | 0 | 40 | 92 | 184 | 273 |
| 14-12 | 0 | 43 | 90 | - | - |
| 14-15 | 0 | 17 | 110 | 155 | 234 |
| 14-19 | 0 | 30 | 165 | 315 | - |
| 16-18 | 0 | 54 | 152 | 180 | 331 |
| 16-23 | 0 | 158 | 270 | - | - |
| 16-26 | 0 | 60 | - | 275 | 338 |
| 18-11 | 0 | 62 | 119 | 241 | 340 |
| 18-32 | 0 | 85 | 138 | 222 | 265 |
| 20-16 | 0 | 238 | 318 | 333 | 347 |
| 20-41 | 0 | 45 | 126 | 225 | - |
| 22-21 | 0 | 16 | 135 | 175 | 349 |
| 22-55 | 0 | 30 | 142 | 226 | 314 |
| 24-61 | 0 | 90 | 180 | 270 | 324 |

Key/Keyway Orientations

For BS9522 F0017



Datum is always taken from major key or keyway. In receptacles the major keyway always remains fixed in relation to the mounting flange. For the A', B, C, D', E and F orientations, the three bayonet locations and associated minor keyways are rotated complete, in accordance with the table below.

N.B.- The accompanying diagram shows a receptacle shell, with keyways. Corresponding key orientations for a mating plug shell are therefore always clockwise.

| Shell Size | Values for α (degrees) | | | | | | | Values for θ (degrees) | | | | | | Values for β (degrees) | | | | | | | |
|------------|-------------------------------|-----|----|-----|-----|-----|-----|-------------------------------|----|----|----|----|----|------------------------------|----|-----|----|-----|----|-----|----|
| | N | A* | B | C | D* | E | F | N | A* | B | C | D* | E | F | N | A* | B | C | D* | E | F |
| 8 | 105 | 92 | - | - | 118 | 118 | 82 | 35 | 35 | - | - | 35 | 30 | 50 | 75 | 75' | - | - | 75 | 100 | 75 |
| 10 | 105 | 95 | 85 | 125 | 115 | 115 | 85 | 35 | 35 | 35 | 35 | 35 | 30 | 50 | 75 | 75 | 75 | 75 | 75 | 100 | 75 |
| 12 | 105 | 97 | 89 | 121 | 113 | 115 | 85 | 35 | 35 | 35 | 35 | 35 | 30 | 50 | 75 | 75 | 75 | 75 | 75 | 100 | 75 |
| 14 | 105 | 98 | 91 | 119 | 112 | 75 | 120 | 35 | 35 | 35 | 35 | 35 | 30 | 50 | 75 | 75 | 75 | 75 | 75 | 100 | 75 |
| 16 | 105 | 99 | 93 | 117 | 111 | 75 | 120 | 35 | 35 | 35 | 35 | 35 | 30 | 50 | 75 | 75 | 75 | 75 | 75 | 100 | 75 |
| 18 | 105 | 100 | 95 | 115 | 110 | 75 | 120 | 35 | 35 | 35 | 35 | 35 | 30 | 50 | 75 | 75 | 75 | 75 | 75 | 100 | 75 |
| 20 | 105 | 100 | 95 | 115 | 110 | 75 | 120 | 35 | 35 | 35 | 35 | 35 | 30 | 50 | 75 | 75 | 75 | 75 | 75 | 100 | 75 |
| 22 | 105 | 101 | 97 | 113 | 109 | 75 | 120 | 35 | 35 | 35 | 35 | 35 | 30 | 50 | 75 | 75 | 75 | 100 | 75 | 75 | 75 |
| 24 | 105 | 101 | 97 | 113 | 109 | 75 | 120 | 35 | 35 | 35 | 35 | 35 | 30 | 50 | 75 | 75 | 75 | 75 | 75 | 100 | 75 |

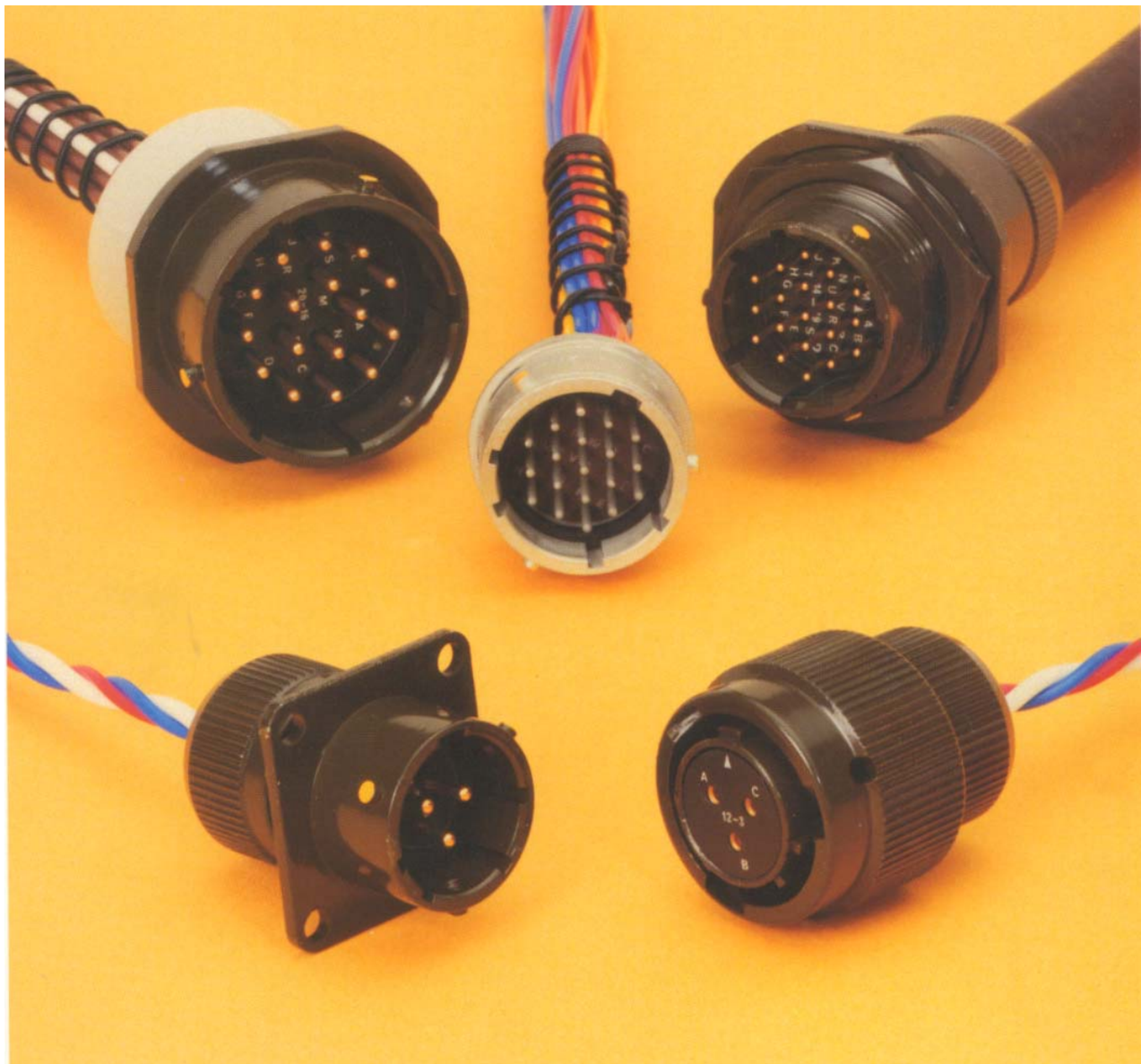
| Shell Size | Values for ϕ (degrees) Orientation | | | | | | | Values for ω (degrees) Orientation | | | | | | |
|------------|---|----|----|----|----|----|----|---|----|----|----|----|----|----|
| | N | A* | B | C | D* | E | F | N | A* | B | C | D* | E | F |
| 8 | 50 | 50 | 50 | 50 | 50 | 30 | 45 | 60 | 47 | - | - | 73 | 73 | 47 |
| 10 | 50 | 50 | 50 | 50 | 50 | 30 | 45 | 60 | 50 | 40 | 80 | 70 | 70 | 50 |
| 12 | 50 | 50 | 50 | 50 | 50 | 30 | 45 | 60 | 52 | 44 | 76 | 68 | 70 | 50 |
| 14 | 50 | 50 | 50 | 50 | 50 | 30 | 35 | 60 | 53 | 46 | 74 | 67 | 30 | 75 |
| 16 | 50 | 50 | 50 | 50 | 50 | 30 | 35 | 60 | 54 | 48 | 72 | 66 | 30 | 75 |
| 18 | 50 | 50 | 50 | 50 | 50 | 30 | 35 | 60 | 55 | 50 | 70 | 65 | 30 | 75 |
| 20 | 50 | 50 | 50 | 50 | 50 | 30 | 35 | 60 | 55 | 50 | 70 | 65 | 30 | 75 |
| 22 | 50 | 50 | 50 | 50 | 50 | 30 | 35 | 60 | 56 | 52 | 68 | 64 | 30 | 75 |
| 24 | 50 | 50 | 50 | 50 | 50 | 30 | 35 | 60 | 56 | 52 | 68 | 64 | 30 | 75 |

* now inactive for new designs but available for replacement purposes. Superseded in BS9522 F0017 by orientations E and F.

62 GB- Series Accessories

CE-2Aa

Miniature Bayonet Lock Connectors
Complies with MIL-C-26482



This miniature bayonet lock connector series offers designers important features not found in any other range of connectors.

They are developed and manufactured entirely in the U.K. by AMPHENOL Ltd., and have full qualification approval to British Standards Specification BS 9522 F0017 and British Defence Specification DEF STAN 59-35 (Part 3) Sec. 7.

This catalogue to be used in conjunction with Catalogues:
CE-2Pa – 62GB Series Plugs
CE-2Ra – 62GB Series Receptacles

Amphenol

CONTENTS

Page

| | |
|-------------------------------------|-------|
| Amphenol 62GB Solder Connectors | 3 |
| Schedule of Tests | 4-5 |
| Accessories - Table of Styles | 6-7 |
| Accessories | 8-14 |
| Cable Accessories - Table of Styles | 15-16 |
| Cable Accessories | 17-21 |

This catalogue to be used in conjunction with Catalogues:
CE-2Pa – 62GB Series Plugs
CE-2Ra – 62GB Series Receptacles

Amphenol® 62GB solder connectors

This miniature bayonet lock connector series offers designers important features not found in any other range of connectors. The range has full qualification approval to British Standards Specification BS 9522 FOO 17 and British Defence Specification DEF STAN 59-35 (Part 3) Sec. 7.

62GB Series connectors - developed and manufactured entirely in the United Kingdom by Amphenol Limited. They are the first and only British connectors to have achieved this. A doubly strong position which Amphenol are well geared to handle. The manufacturing facilities of the Whitstable plant have been cited as exemplary in Europe. Certainly the layout is extensive and extremely efficient; safety awards have been attained every time returns have been submitted to the British Safety Council.

62GB Series connectors have been well established with Government authorities on an international scale and users can be found in Sweden, Denmark, Norway, Finland, Germany, Spain, Holland, India, Canada and Italy.

Derating

Connectors must be derated under the following operating conditions:

1. At elevated ambient temperatures, the current ratings are reduced so that total maximum hot spot temperature of 125°C is not exceeded.
2. At high altitudes, revised voltage ratings become effective as shown on page 7.
3. When connectors to different specifications are intermated (e.g. BS 9522 FOO 17 and MIL-C26482), the combination must not be operated under conditions more severe than the less stringent clause of either specification.

Amphenol 62GB connectors are designed to meet the most stringent requirements of both specifications.

Military Specifications

British Standards Specification BS 9522 FOO 17 closely corresponds to the United States Military Specification MIL-C-26482 solder terminations. Certain differences exist between the schedules which can be seen on pages 2 and 3.

Approved gauges are used to check interchangeability of 62GB series with other connectors manufactured to BS 9522 FOO 17 or MIL-C-26482.

Basic Construction

62GB Series can be supplied in brass or stainless steel.

The normal shell finish used, which has a high resistance to corrosion, is zinc cobalt olive drab. Other finishes may be supplied to special order, such as cadmium plate which is available by adding deviation (714) to the end of part number.

Inserts are of polychloroprene rubber compounded to an Amphenol specification. Operating temperature range is -55°C to 125°C, and the connectors have gold-plated contacts designed for soldered connections. Configurations for size 20 contacts range between 2 contacts in the size 8 12.7mm (0.5in diameter) shell up to a maximum of 61 contacts in the size 2436.1 mm (1.5in diameter) shell. Intermediate sizes, and contact data for heavier current ratings are shown in the insert availability chart on page 6 and 7.

Hermetic connectors with glass sealed dielectric are manufactured with mild steel shells and nickel iron contacts plated tin over copper.

* Other finishes are available on request.

Protection Against Mis-Mating or Cross-Plugging

In BS 9522 FOO 17 positive shell-to-shell keying is provided with keys and keyways in a choice of either the normal (N) or any of the four preferred alternate positions: B, C, E and F. This prevents mismating between shells of different orientations and overcomes the difficulties associated with rotated inserts and a standard key-keyway orientation. In the latter system, damage to the inserts or contacts can result if excessive force is used to engage non-mating pairs.

Rotated inserts are, however, permissible in BS 9522 FOO 17 connectors if required to mate with or replace units to MIL-C-26482 mounted in existing equipment. Connectors have normal orientations manufactured to BS 9522 FOO 17 or MIL-C-26482 are fully intermateable as also are connectors with inserts in positions W, X, Y or Z.

Schedule of Tests Required for Qualification Approval


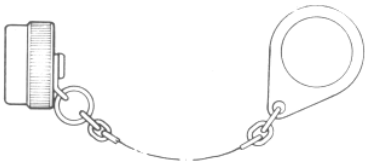










| Tests | Brief Description |
|--|--|
| Visual Examination Dimensions, outline mass(including contacts) Compatability Gauging procedure | |
| Polarization | |
| Engaging and separating force, connector | Engagement max: 0,90 Nm (8.0 lbf.in.) to 4,97 Nm (44 lbf.in.) according to shell size. Separation min: 0,22 Nm (2.0 lbf.in.) to 1,58 Nm (14.0 lbf.in.) according to shell size. |
| Contact Holding Force | 0,21 N (0.047 lbf) min.size 20 0,56 N (0.126 lbf)min. size 16 |
| Sealing (air pressure) | Max leakage 28,53 uNm/s (1 cm3/h), 1 bar (14.5 p.s.i.) differential. |
| Sealing Hermetic | Hermetic receptacles have a max leak of 0.1 micron cubic foot per hour (1 x 10-6Cm3/s) |
| Contact Resistance | 5 milliohms max. |
| Housing (Shell) Continuity | 200 milliohms max. 5 milliohms max. grounding spring styles. |
| Insulation Resistance | 5,000 Megaohms at 500 - 50 V d.c. |
| Voltage Proof | See page 7. Duration 1 minute |
| Soldering | As BS 9520: 1974, Clause 1.2.6.6, Method 2. |
| Bumping | As BS 9520: 1974, Clause 1.2.6.1. 4,000 -10 bumps / 390m / s2 (40 gn). |
| Vibration | As BS 9520: 1974, Clause 1.2.6.2.1. Procedure A. 10 Hz to 5000 Hz, 0.75 mm / 10 gn. |
| Shock | As BS 9520: 1974, Clause 1.2.6.3. 981 m/s2 (100 g n). |
| Acceleration (Steady State) | As BS 9520: 1974, Clause 1.2.6.4. 490 m/s2 (50 gn). |
| Rapid Change of Temperature | As BS 9520: 1974, Clause 1.2.6.7. -550 C to - 1250 C. |
| Climatic Sequence | As BS 9520: 1974, Clause 1.2.6.11. Severity 55/125/56. |
| Flammability | As BS 9520: 1974, Clause 1.2.6.8. Direct flame applied, duration 1 minute. |
| Damp Heat (Steady State) | As BS 9520: 1974, Clause 1.2.6.14. Severity 56 days. |

Schedules of Tests Required for Qualification Approval

| Tests | Brief Description |
|--|---|
| Immersion (at low air pressure) | 3 cycles at 30 mins each cycle, total immersion in water at pressure 44 m bar. |
| Mechanical Endurance | 500 operations minimum |
| High Temperature Endurance | Long term: 1,000 hrs. at 85°C ambient carrying the specified current. Short term: 250 hrs at 125°C, no current. |
| Mould Growth | As BS 9520: 1983, Clause 1.2.6.16. 28 days duration. |
| Salt Mist | As BS 9520: 1983, Clause 1.2.6.17. Severity 1. |
| Dust | As BS 9520: 1983, Clause 1.2.6.18 Exposure 30 minutes. |
| Robustness of Terminations | 44,5 N (10lbf) size 16 22,2 N (5 lbf) size 20 |
| Contact Retention (in insert) | 67,0 N (15 lbf) min. size 20 112,0 N (25 lbf) min. size 16 |
| Insert Retention (in shell) | 517 KN1m2 (75lbf/in2) min. |
| Test Prod Damage | Moment: 0,056 Nm (0.5 lbf in) size 20 0,225 Nm (2 lbf in) size 16 |
| Impact | Five impacts, drop height 1 m (3ft.3 in.). |
| Grounding Spring Holding Force Plugs with grounding springs only. | 1,17 N (0.263 lbf) to 2,74 N (0.616 lbf) according to size. |
| Fluid Resistance | Immersion in 4 solvents and 9 fluids including aircraft fuels, lubricating oils and hydraulic fluids. |
| Compass Safe Distance | As BS 9520: 1974, Clause 1.2.5.11. 127 mm (5.0 in) min. |

Accessories

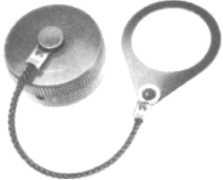
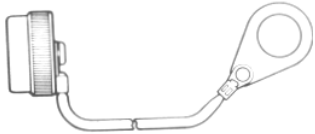





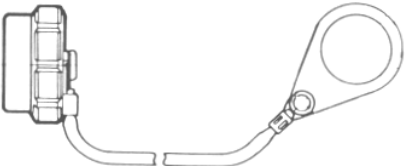
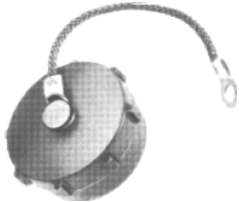

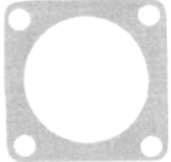
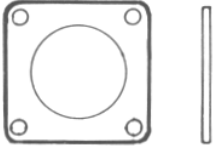
Table of Styles

| | | | Page No. |
|----------|---|--|----------|
| 62GB-736 |  |  | 42 |
| 62GB-737 |  |  | 42 |
| 62GB-738 |  |  | 43 |
| 62GB-742 |  |  | 43 |
| 62GB-810 |  |  | 44 |
| 62GB-812 |  |  | 44 |
| 62GB-813 |  |  | 45 |

Accessories

Table of Styles

Page No.

| | | | |
|-----------|---|--|----|
| 62GB-814 |  |  | 45 |
| 62GB-997 |  |  | 46 |
| 62GB-998 |  |  | 46 |
| 62GB-1069 |  |  | 47 |
| 62GB-1070 |  |  | 47 |
| 62GB-760 |  |  | 48 |

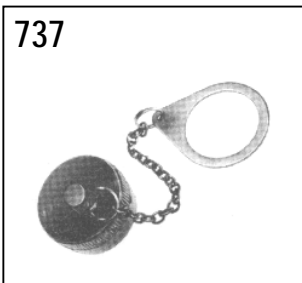
Accessories



62GB-736

Caps and chains for single hole mounting receptacles

| Shell Size | A ± 0.25 (± 6.35) | B ± 0.005 (± 0.13) | C dia max | J ± 0.005 (± 0.127) |
|------------|-------------------------|--------------------------|-----------------|---------------------------|
| 08 | 3.0 | 0.521 | 0.734 | 0.578 |
| | 76.2 | 13.23 | 18.64 | 14.68 |
| 10 | 3.0 | 0.521 | 0.859 | 0.703 |
| | 76.2 | 13.23 | 21.82 | 17.86 |
| 12 | 3.5 | 0.521 | 1.000 | 0.891 |
| | 88.9 | 13.23 | 25.4 | 22.63 |
| 14 | 3.5 | 0.521 | 1.125 | 1.016 |
| | 88.9 | 13.23 | 28.57 | 25.81 |
| 16 | 3.5 | 0.521 | 1.250 | 1.141 |
| | 88.9 | 13.23 | 31.75 | 29.39 |
| 18 | 3.5 | 0.521 | 1.375 | 1.266 |
| | 88.9 | 13.23 | 34.92 | 32.16 |
| 20 | 4.0 | 0.521 | 1.500 | 1.391 |
| | 101.6 | 13.23 | 38.1 | 35.33 |
| 22 | 4.0 | 0.521 | 1.625 | 1.516 |
| | 101.6 | 13.23 | 41.27 | 38.51 |
| 24 | 4.0 | 0.556 | 1.750 | 1.641 |
| | 101.6 | 14.12 | 44.45 | 41.68 |



62GB-737

Caps and chains for cable mounting receptacles.

| Shell Size | A ± 0.25 (± 6.35) | B ± 0.005 (± 0.13) | C dia max | J ± 0.005 (± 0.127) |
|------------|-------------------------|--------------------------|-----------------|---------------------------|
| 08 | 3.0 | 0.521 | 0.734 | 0.458 |
| | 76.2 | 13.23 | 18.64 | 11.63 |
| 10 | 3.0 | 0.521 | 0.859 | 0.583 |
| | 76.2 | 13.23 | 21.82 | 14.81 |
| 12 | 3.5 | 0.521 | 1.000 | 0.708 |
| | 88.9 | 13.23 | 25.4 | 17.98 |
| 14 | 3.5 | 0.521 | 1.125 | 0.896 |
| | 88.9 | 13.23 | 28.57 | 22.76 |
| 16 | 3.5 | 0.521 | 1.250 | 1.021 |
| | 88.9 | 13.23 | 31.75 | 25.93 |
| 18 | 3.5 | 0.521 | 1.375 | 1.146 |
| | 88.9 | 13.23 | 34.92 | 29.11 |
| 20 | 4.0 | 0.521 | 1.500 | 1.271 |
| | 101.6 | 13.23 | 38.1 | 32.28 |
| 22 | 4.0 | 0.521 | 1.625 | 1.396 |
| | 101.6 | 13.23 | 41.27 | 35.46 |
| 24 | 4.0 | 0.556 | 1.750 | 1.521 |
| | 101.6 | 14.12 | 44.45 | 38.63 |

Accessories



62GB-738

Caps and chains for flange mounting receptacles.

| Shell Size | A ± 0.25 (± 6.35) | B ± 0.005 (± 0.13) | C dia max | J ± 0.005 (± 0.127) |
|------------|-------------------------|--------------------------|-----------------|---------------------------|
| 08 | 3.0 | 0.521 | 0.734 | 0.125 |
| | 76.2 | 13.23 | 18.64 | 3.18 |
| 10 | 3.0 | 0.521 | 0.859 | 0.125 |
| | 76.2 | 13.23 | 21.82 | 3.18 |
| 12 | 3.5 | 0.521 | 1.000 | 0.125 |
| | 88.9 | 13.23 | 25.4 | 3.18 |
| 14 | 3.5 | 0.521 | 1.125 | 0.125 |
| | 88.9 | 13.23 | 28.57 | 3.18 |
| 16 | 3.5 | 0.521 | 1.250 | 0.125 |
| | 88.9 | 13.23 | 31.75 | 3.18 |
| 18 | 3.5 | 0.521 | 1.375 | 0.125 |
| | 88.9 | 13.23 | 34.92 | 3.18 |
| 20 | 4.0 | 0.521 | 1.500 | 0.125 |
| | 101.6 | 13.23 | 38.1 | 3.18 |
| 22 | 4.0 | 0.521 | 1.625 | 0.125 |
| | 101.6 | 13.23 | 41.27 | 3.18 |
| 24 | 4.0 | 0.556 | 1.750 | 0.152 |
| | 101.6 | 14.12 | 44.45 | 3.86 |



62GB-742

Caps and chains for plugs.

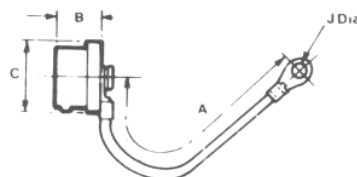
| Shell Size | A ± 0.25 (± 6.35) | B ± 0.005 (± 0.13) | C dia max | J ± 0.005 (± 0.127) |
|------------|-------------------------|--------------------------|-----------------|---------------------------|
| 08 | 3.0 | 0.522 | 0.719 | 0.125 |
| | 76.2 | 13.25 | 18.26 | 3.18 |
| 10 | 3.0 | 0.522 | 0.844 | 0.125 |
| | 76.2 | 13.25 | 21.43 | 3.18 |
| 12 | 3.5 | 0.522 | 1.000 | 0.125 |
| | 88.9 | 13.25 | 25.4 | 3.18 |
| 14 | 3.5 | 0.522 | 1.125 | 0.125 |
| | 88.9 | 13.25 | 28.57 | 3.18 |
| 16 | 3.5 | 0.522 | 1.250 | 0.125 |
| | 88.9 | 13.25 | 31.75 | 3.18 |
| 18 | 3.5 | 0.522 | 1.357 | 0.125 |
| | 88.9 | 13.25 | 34.92 | 3.18 |
| 20 | 4.0 | 0.584 | 1.500 | 0.125 |
| | 101.6 | 14.83 | 38.1 | 3.18 |
| 22 | 4.0 | 0.584 | 1.625 | 0.125 |
| | 101.6 | 14.83 | 41.27 | 3.18 |
| 24 | 4.0 | 0.617 | 1.750 | 0.152 |
| | 101.6 | 15.67 | 44.45 | 3.86 |

Accessories

810



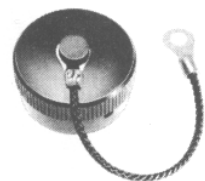
62GB-810
BS9522-F0017-A2012



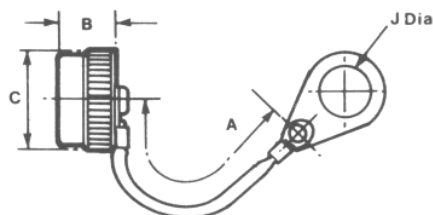
Caps and cords for plugs

| Shell Size | A ± 0.25 (± 6.35) | B ± 0.005 (± 0.13) | C dia max | J ± 0.003 (± 0.08) |
|------------|-------------------------|--------------------------|-----------------|--------------------------|
| 08 | 3.0 76.2 | 0.522 13.25 | 0.719 18.26 | 0.145 3.68 |
| 10 | 3.0 76.2 | 0.522 13.25 | 0.844 21.43 | 3.685 3.68 |
| 12 | 3.5 88.9 | 0.522 13.25 | 1.000 25.4 | 0.145 3.68 |
| 14 | 3.5 88.9 | 0.522 13.25 | 1.125 28.57 | 0.145 3.68 |
| 16 | 3.5 88.9 | 0.522 13.25 | 1.250 31.75 | 0.145 3.68 |
| 20 | 4.0 101.6 | 0.584 14.83 | 1.500 38.1 | 0.145 3.68 |
| 22 | 4.0 101.6 | 0.584 14.83 | 1.625 41.27 | 0.145 3.68 |
| 24 | 4.0 101.6 | 0.617 15.67 | 1.750 44.45 | 0.171 4.34 |

812



62GB-812
BS9522-F0017-A2013



Caps and cords for flange mounting receptacles.

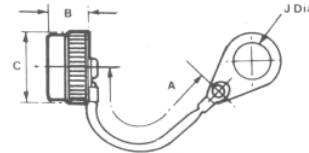
| Shell Size | A ± 0.25 (± 6.35) | B ± 0.005 (± 0.13) | C dia max | J ± 0.003 (± 0.08) |
|------------|-------------------------|--------------------------|-----------------|--------------------------|
| 08 | 3.0 76.2 | 0.521 13.23 | 0.734 18.64 | 0.145 3.68 |
| 10 | 3.0 76.2 | 0.521 13.23 | 0.859 21.82 | 0.145 3.68 |
| 12 | 3.5 88.9 | 0.521 13.23 | 1.000 25.4 | 0.145 3.68 |
| 14 | 3.5 88.9 | 0.521 13.23 | 1.125 28.57 | 0.145 3.68 |
| 16 | 3.5 88.9 | 0.521 13.23 | 1.250 31.75 | 0.145 3.68 |
| 18 | 3.5 88.9 | 0.521 13.23 | 1.375 34.92 | 0.145 3.68 |
| 20 | 4.0 101.6 | 0.521 13.23 | 1.500 38.1 | 0.145 3.68 |
| 22 | 4.0 101.6 | 0.521 13.23 | 1.625 41.27 | 0.145 3.68 |
| 24 | 4.0 101.6 | 0.556 14.12 | 1.750 44.45 | 0.171 4.34 |

Accessories

813



62GB-813
BS9522-F0017 A2014



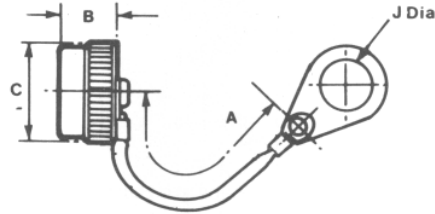
Caps and cords for single hole mounting receptacles.

| Shell Size | A ± 0.25 (± 6.35) | B ± 0.005 (± 0.13) | C max | J + 0.010 (+ 0.25) |
|------------|-------------------------|--------------------------|----------|--------------------------|
| 08 | 3.0 | 0.521 | 0.734 | 0.578 |
| | 76.2 | 13.23 | 18.64 | 14.68 |
| 10 | 3.0 | 0.521 | 0.859 | 0.703 |
| | 76.2 | 13.23 | 21.82 | 17.86 |
| 12 | 3.5 | 0.521 | 1.000 | 0.891 |
| | 88.9 | 13.23 | 25.4 | 22.63 |
| 14 | 3.5 | 0.521 | 1.125 | 1.016 |
| | 88.9 | 13.23 | 28.57 | 25.81 |
| 16 | 3.5 | 0.521 | 1.250 | 1.141 |
| | 88.9 | 13.23 | 31.75 | 29.39 |
| 18 | 3.5 | 0.521 | 1.375 | 1.266 |
| | 88.9 | 13.23 | 34.92 | 32.16 |
| 20 | 4.0 | 0.521 | 1.500 | 1.391 |
| | 101.0 | 13.23 | 38.1 | 35.33 |
| 22 | 4.0 | 0.521 | 1.625 | 1.516 |
| | 101.6 | 13.23 | 41.27 | 38.56 |
| 24 | 4.0 | 0.556 | 1.750 | 1.641 |
| | 101.6 | 14.12 | 44.45 | 41.68 |

814



62GB-814



Caps and cords for cable mounting receptacles.

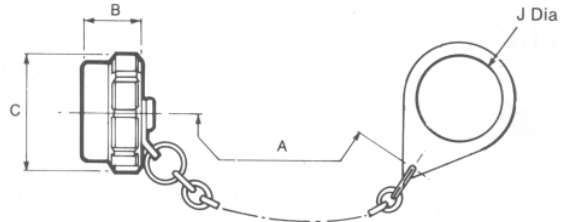
| Shell Size | A ± 0.25 (± 6.35) | B ± 0.005 (± 0.13) | C max | J +0.010 (+ 0.25) |
|------------|-------------------------|--------------------------|----------|-------------------------|
| 08 | 3.0 | 0.521 | 0.734 | 0.453 |
| | 76.2 | 13.23 | 18.64 | 11.50 |
| 10 | 3.0 | 0.521 | 0.859 | 0.578 |
| | 76.2 | 13.23 | 21.82 | 14.64 |
| 12 | 3.5 | 0.521 | 1.000 | 0.703 |
| | 88.9 | 13.23 | 25.4 | 17.85 |
| 14 | 3.5 | 0.521 | 1.125 | 0.891 |
| | 88.9 | 13.23 | 28.57 | 22.63 |
| 16 | 3.5 | 0.521 | 1.250 | 1.016 |
| | 88.9 | 13.23 | 31.75 | 25.80 |
| 18 | 3.5 | 0.521 | 1.375 | 1.141 |
| | 88.9 | 13.23 | 34.92 | 28.98 |
| 20 | 4.0 | 0.521 | 1.500 | 1.266 |
| | 101.6 | 13.23 | 38.1 | 32.15 |
| 22 | 4.0 | 0.521 | 1.625 | 1.391 |
| | 101.6 | 13.23 | 41.27 | 35.33 |
| 24 | 4.0 | 0.556 | 1.750 | 1.516 |
| | 101.6 | 14.12 | 44.45 | 38.50 |

Accessories

997



62GB-997



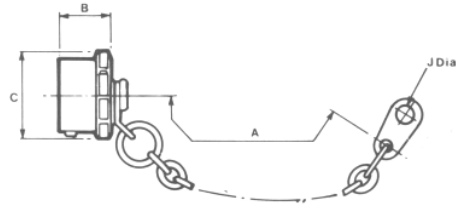
Caps and chains ribbed for single hole mounting receptacles.

| Shell Size | A ± 0.25 (± 6.35) | B ± 0.005 (± 0.13) | C dia max | J + 0.010 (+ 0.25) |
|------------|-------------------------|--------------------------|-----------------|--------------------------|
| 08 | 3.0 76.2 | 0.521 13.23 | 0.892 22.66 | 0.578 14.69 |
| 10 | 3.0 76.2 | 0.521 13.23 | 1.017 26.84 | 0.703 17.86 |
| 12 | 3.5 88.9 | 0.521 13.23 | 1.142 29.01 | 0.891 22.64 |
| 14 | 3.5 88.9 | 0.521 13.23 | 1.267 32.19 | 1.016 25.81 |
| 16 | 3.5 88.9 | 0.521 13.23 | 1.454 36.94 | 1.141 28.99 |
| 18 | 3.5 88.9 | 0.521 13.23 | 1.563 39.70 | 1.266 32.16 |
| 20 | 4.0 101.6 | 0.521 13.23 | 1.687 42.85 | 1.391 35.34 |
| 22 | 4.0 101.6 | 0.521 13.23 | 1.797 45.65 | 1.516 38.51 |
| 24 | 4.0 101.6 | 0.556 14.12 | 1.922 48.82 | 1.641 41.69 |

998



62GB-998



Caps and chains ribbed for plugs.

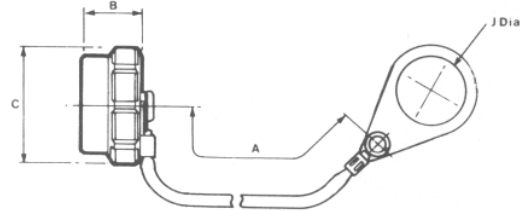
| Shell Size | A ± 0.25 (± 6.35) | g max | C dia max | J ± 0.005 (± 0.13) |
|------------|-------------------------|----------------|-----------------|--------------------------|
| 08 | 3.0 76.2 | 0.562 14.28 | 0.892 22.66 | 0.125 3.18 |
| 10 | 3.0 76.2 | 0.562 14.28 | 1.017 25.84 | 0.125 3.18 |
| 12 | 3.5 88.9 | 0.562 14.28 | 1.142 29.01 | 0.125 3.18 |
| 14 | 3.5 88.9 | 0.562 14.28 | 1.267 32.19 | 0.125 3.18 |
| 16 | 3.5 88.9 | 0.562 14.28 | 1.454 36.94 | 0.125 3.18 |
| 18 | 3.5 88.9 | 0.562 14.28 | 1.563 39.70 | 0.125 3.18 |
| 20 | 4.0 101.6 | 0.624 15.85 | 1.687 42.85 | 0.125 3.18 |
| 22 | 4.0 101.6 | 0.624 15.85 | 1.797 45.65 | 0.125 3.18 |
| 24 | 4.0 101.6 | 0.624 15.85 | 1.922 48.82 | 0.147 3.74 |

Accessories

1069



62GB-1069



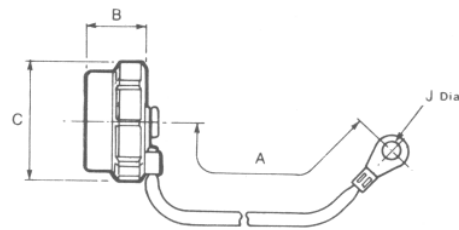
Caps and cords ribbed for single hole mounting receptacles.

| Shell Size | A ± 0.25 (± 6.35) | B ± 0.005 (± 0.13) | C dia max | J + 0.010 (+ 0.25) |
|------------|-------------------------|--------------------------|-----------------|--------------------------|
| 08 | 3.0 76.2 | 0.521 13.23 | 0.892 22.66 | 0.578 14.69 |
| 10 | 8.0 76.2 | 0.521 13.23 | 1.017 26.84 | 0.703 17.86 |
| 12 | 3.5 88.9 | 0.521 13.23 | 1.142 29.01 | 0.891 22.64 |
| 14 | 3.5 88.9 | 0.521 13.23 | 1.267 32.19 | 1.016 25.81 |
| 16 | 3.5 88.9 | 0.521 13.23 | 1.454 36.94 | 1.141 28.99 |
| 18 | 3.5 88.9 | 0.521 13.23 | 1.563 39.70 | 1.266 32.16 |
| 20 | 4.0 101.6 | 0.521 13.23 | 1.687 42.85 | 1.391 35.34 |
| 22 | 4.0 101.6 | 0.521 13.23 | 1.797 45.65 | 1.516 38.51 |
| 24 | 4.0 101.6 | 0.556 14.12 | 1.922 48.82 | 1.641 41.686 |

1070



62GB-1070

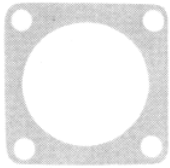


Caps and cords ribbed for flange mounting receptacles.

| Shell Size | A ± 0.25 (± 6.35) | B ± 0.005 (± 0.13) | C Dia max | J ± 0.005 (± 0.13) |
|------------|-------------------------|--------------------------|-----------------|--------------------------|
| 08 | 3.0 76.2 | 0.521 13.23 | 0.892 22.66 | 0.117 3.03 |
| 10 | 3.0 76.2 | 0.521 13.23 | 1.017 22.66 | 0.119 3.03 |
| 12 | 3.5 88.9 | 0.521 13.23 | 1.142 29.01 | 0.119 3.03 |
| 14 | 3.5 88.9 | 0.521 13.23 | 1.267 32.19 | 0.119 3.03 |
| 16 | 3.5 88.9 | 0.521 13.23 | 1.454 36.94 | 0.119 3.03 |
| 18 | 3.5 88.9 | 0.521 13.23 | 1.563 39.70 | 0.119 3.03 |
| 20 | 4.0 101.6 | 0.521 13.23 | 1.687 42.85 | 0.119 3.03 |
| 22 | 4.0 101.6 | 0.521 13.23 | 1.797 45.65 | 0.119 3.03 |
| 24 | 4.0 101.6 | 0.556 14.12 | 1.922 48.82 | 0.147 3.74 |

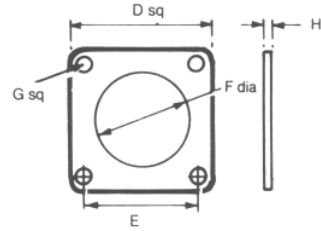
Accessories

760



62GB-760

Flange mounting gasket for box mounting and hermetic receptacles.




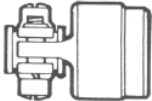





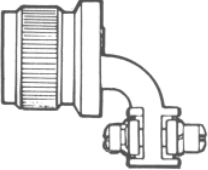

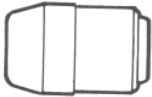

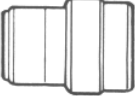


| Shell Size | 0 ± 0.010 (± 0.254) | E ± 0.010 (± 0.254) | F ± 0.008 (± 0.20) | G + 0.010 (+ 0.254) | H |
|------------|---------------------------|---------------------------|--------------------------|---------------------------|---------------|
| 08 | 0.812 | 0.594 | 0.508 | 0.130 | 0.042 / 0.016 |
| | 20.62 | 15.08 | 12.90 | 3.30 | 1.06 / 0.40 |
| 10 | 0.938 | 0.719 | 0.633 | 0.130 | 0.042 / 0.016 |
| | 23.82 | 18.26 | 16.07 | 3.30 | 1.06 / 0.40 |
| 12 | 1.031 | 0.813 | 0.758 | 0.130 | 0.042 / 0.016 |
| | 26.18 | 20.65 | 19.25 | 3.30 | 1.06 / 0.40 |
| 14 | 1.125 | 0.906 | 0.883 | 0.130 | 0.042 / 0.016 |
| | 28.57 | 23.01 | 22.42 | 3.30 | 1.06 / 0.40 |
| 16 | 1.219 | 0.969 | 1.008 | 0.130 | 0.042 / 0.016 |
| | 30.96 | 24.61 | 25.60 | 3.30 | 1.06 / 0.40 |
| 18 | 1.312 | 1.063 | 1.133 | 0.130 | 0.042 / 0.016 |
| | 33.32 | 27.00 | 28.77 | 3.30 | 1.06 / 0.40 |
| 20 | 1.438 | 1.156 | 1.258 | 0.130 | 0.042 / 0.016 |
| | 36.52 | 29.36 | 31.95 | 3.30 | 1.06 / 0.40 |
| 22 | 1.563 | 1.250 | 1.383 | 0.130 | 0.042 / 0.016 |
| | 39.70 | 31.75 | 35.13 | 3.30 | 1.06 / 0.40 |
| 24 | 1.688 | 1.375 | 1.508 | 0.156 | 0.042 / 0.016 |
| | 42.87 | 34.92 | 38.30 | 3.96 | 1.06 / 0.40 |

Cable Accessories

Table of Styles


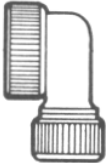

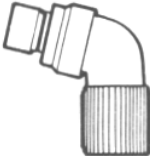
Page No.

| | | | |
|----------|---|--|----|
| 62GB-584 |  |  | 51 |
| 62GB-585 |  |  | 51 |
| 62GB-586 |  |  | 52 |
| 62GB-587 |  |  | 52 |
| 62GB-711 |  |  | 53 |
| 62GB-720 |  |  | 53 |
| 62GB-776 |  |  | 54 |

Cable Accessories

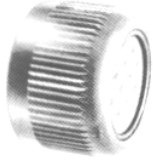
Table of Styles

Page No.

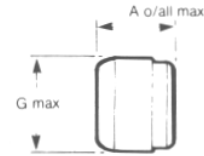
| | | | |
|-----------|---|--|----|
| 62GB-1225 |  |  | 54 |
| 62GB-5028 |  |  | 55 |

Cable Accessories

584



62GB - 584 - XX - XXS or P
BS 9522 FOO 17 A2102



Grommet seal and nut. Provides an environmental seal for the exposed solder buckets in the openback class T shells.

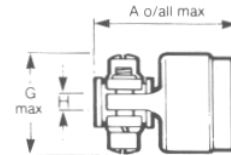
Suffix XX - XXS or P enables grommet to be matched to the insert arrangement.

| Shell Size | A | G max |
|------------|-------|-------|
| 08 | 0.545 | 0.561 |
| | 13.84 | 14.25 |
| 10 | 0.545 | 0.686 |
| | 13.84 | 17.43 |
| 12 | 0.545 | 0.811 |
| | 13.84 | 20.60 |
| 14 | 0.545 | 0.936 |
| | 13.84 | 23.78 |
| 16 | 0.545 | 1.061 |
| | 13.84 | 26.95 |
| 18 | 0.545 | 1.186 |
| | 13.84 | 30.13 |
| 20 | 0.545 | 1.311 |
| | 13.84 | 33.30 |
| 22 | 0.545 | 1.436 |
| | 13.84 | 36.75 |
| 24 | 0.501 | 1.561 |
| | 12.73 | 39.65 |

585



62G B - 585 - XX - XXS or P
BS9522 FOO 17 A2103



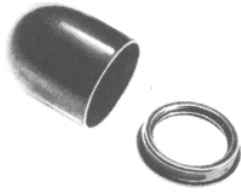
Grommet and nut with strain relief clamp. The clamp prevents the flexing of the wires in the immediate vicinity of the risers, so avoiding the risk of leaks.

Suffix XX - XXS or P enables grommet to be matched to the insert arrangement.

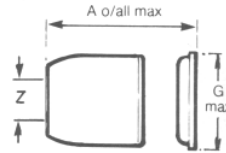
| Shell Size | A max | G max | max |
|------------|-------|-------|-------|
| 08 | 0.991 | 0.828 | 0.161 |
| | 25.17 | 21.03 | 4.09 |
| 10 | 0.991 | 0.891 | 0.193 |
| | 25.17 | 22.63 | 4.90 |
| 12 | 0.991 | 1.016 | 0.317 |
| | 25.17 | 25.81 | 8.05 |
| 14 | 0.965 | 1.141 | 0.380 |
| | 24.51 | 28.98 | 9.65 |
| 16 | 1.105 | 1.203 | 0.505 |
| | 28.07 | 30.56 | 12.83 |
| 18 | 1.105 | 1.426 | 0.630 |
| | 28.07 | 36.22 | 16.00 |
| 20 | 1.285 | 1.426 | 0.630 |
| | 32.64 | 36.22 | 16.00 |
| 22 | 1.285 | 1.567 | 0.755 |
| | 32.64 | 39.80 | 19.18 |
| 24 | 1.373 | 1.735 | 0.805 |
| | 34.88 | 44.07 | 20.45 |

Cable Accessories

586



62G B - 586 - XX



Potting mould and ring,
supplied together as a set.

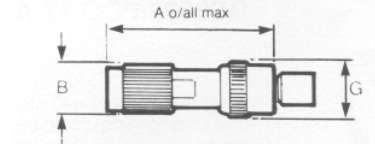
Suffix XX specifies shell size.

| Shell Size | A max | G max | Z min |
|------------|-------|-------|-------|
| 08 | 0.644 | 0.585 | 0.260 |
| | 16.36 | 14.85 | 6.60 |
| 10 | 0.753 | 0.679 | 0.463 |
| | 19.13 | 17.24 | 11.76 |
| 12 | 0.722 | 0.835 | 0.557 |
| | 18.34 | 21.20 | 14.14 |
| 14 | 0.722 | 0.913 | 0.590 |
| | 18.34 | 23.19 | 14.98 |
| 16 | 0.722 | 1.038 | 0.713 |
| | 18.34 | 26.36 | 18.11 |
| 18 | 0.722 | 1.163 | 0.835 |
| | 18.34 | 29.54 | 21.20 |
| 20 | 0.877 | 1.288 | 1.015 |
| | 22.30 | 32.71 | 25.78 |
| 22 | 0.877 | 1.413 | 1.015 |
| | 22.30 | 35.89 | 25.78 |
| 24 | 0.896 | 1.538 | 1.263 |
| | 22.76 | 39.06 | 32.08 |

587



62G B - 587 - XX - XXS or P



Clamp for screened jacketed cable. 62 Series only with grommet. Effective sealing is provided over the range of cables covered by DEF 10(Pattern C) and DEF STAN 61-12 port (see table). These are supplied to separate order only for use with style T shells.

Suffix XX-XXS or P enables grommet to be matched to the insert arrangement.

| Shell Size | length Including plug | A Max | length Including receptacle | B max | G max |
|------------|-----------------------|-------|-----------------------------|-------|-------|
| 08 | 2.732 | 2.742 | 2.742 | 0.676 | 0.775 |
| | 69.39 | 69.64 | 69.64 | 17.17 | 19.68 |
| 10 | 2.742 | 2.752 | 2.752 | 0.676 | 0.902 |
| | 69.64 | 69.90 | 69.90 | 17.17 | 22.91 |
| 12 | 3.152 | 3.162 | 3.162 | 0.812 | 1.030 |
| | 80.06 | 80.31 | 80.31 | 20.62 | 26.16 |
| 14 | 3.152 | 3.162 | 3.162 | 0.926 | 1.157 |
| | 80.06 | 80.31 | 80.31 | 23.52 | 29.39 |
| 16 | 3.272 | 3.282 | 3.282 | 1.051 | 1.284 |
| | 83.10 | 83.36 | 83.36 | 26.67 | 32.61 |
| 18 | - | - | - | - | - |
| | - | - | - | - | - |
| 20 | 3.272 | 3.345 | 3.345 | 1.280 | 1.539 |
| | 83.10 | 84.96 | 84.96 | 32.51 | 39.09 |
| 22 | - | - | - | - | - |
| | - | - | - | - | - |
| 24 | 3.696 | 3.768 | 3.768 | 1.620 | 1.783 |
| | 93.87 | 95.70 | 95.70 | 41.15 | 45.29 |

Cable Accessories

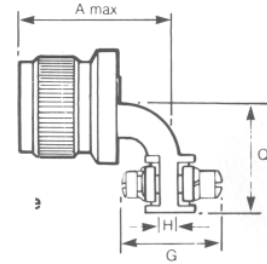
711



62G B - 711 - XX - XXS or P

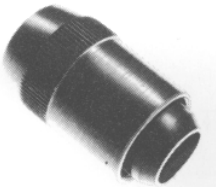
Grommet and nut with right angled strain relief clamp. The clamp prevents flexing of the wires in the immediate vicinity of the risers, so avoiding the risk of leaks (these are supplied to separate order only for use with style T shells).

Suffix XX - XXS or P enables grommet to be matched to the insert arrangement.



| Shell Size | A max | G max | H ± 0.005 ± 0.13 | Q max |
|------------|---------|-------|------------------------|-------|
| 08 | 1.5/32 | 0.828 | 0.161 | 0.733 |
| | | 21.03 | 4.09 | 18.62 |
| 10 | 1.3/16 | 0.891 | 0.193 | 0.795 |
| | | 22.63 | 4.90 | 20.19 |
| 12 | 1.7/32 | 1.016 | 0.317 | 0.858 |
| | | 25.81 | 8.05 | 21.79 |
| 14 | 1.1/4 | 1.141 | 0.380 | 0.915 |
| | | 28.98 | 9.65 | 23.24 |
| 16 | 1.5/16 | 1.203 | 0.505 | 1.010 |
| | | 30.56 | 12.83 | 25.65 |
| 18 | 1.3/8 | 1.426 | 0.630 | 1.070 |
| | | 36.22 | 16.00 | 27.18 |
| 20 | 1.3/8 | 1.426 | 0.630 | 1.140 |
| | | 36.22 | 16.00 | 28.96 |
| 22 | 1.29/64 | 1.567 | 0.755 | 1.170 |
| | | 39.80 | 19.18 | 29.72 |
| 24 | 1.15/32 | 1.735 | 0.805 | 1.260 |
| | | 44.07 | 20.45 | 32.00 |

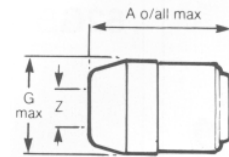
720



62G B - 720 - XX

Clamp for unscreened jacketed cable. No grommet is supplied, for use with 50T, 51T and 56T styles.

Suffix XX specifies shell size.



| Shell Size | A max | G max | Z closed | Z free |
|------------|-------|-------|----------|--------|
| 08 | 1.085 | 0.561 | 0.168 | 0.230 |
| | 27.56 | 14.25 | 4.28 | 5.84 |
| 10 | 1.060 | 0.686 | 0.205 | 0.312 |
| | 26.92 | 17.43 | 5.21 | 7.93 |
| 12 | 1.160 | 0.811 | 0.338 | 0.442 |
| | 29.46 | 20.60 | 8.59 | 11.23 |
| 14 | 1.360 | 0.936 | 0.416 | 0.539 |
| | 34.54 | 23.78 | 10.57 | 13.69 |
| 16 | 1.585 | 1.061 | 0.550 | 0.616 |
| | 40.26 | 26.95 | 13.97 | 15.65 |
| 18 | 1.785 | 1.186 | 0.600 | 0.672 |
| | 45.34 | 30.13 | 15.24 | 17.57 |
| 20 | 1.981 | 1.311 | 0.635 | 0.747 |
| | 50.32 | 33.30 | 16.13 | 18.98 |
| 22 | 2.181 | 1.436 | 0.670 | 0.846 |
| | 55.39 | 36.75 | 17.02 | 21.49 |
| 24 | 2.216 | 1.561 | 0.740 | 0.894 |
| | 56.28 | 39.65 | 18.80 | 22.71 |

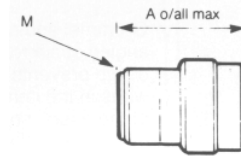
Cable Accessories

776



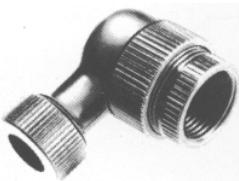
62GB - 776

General duty shell to accept conduit, AN 3057 or MS 3057 A cable clamps and heat shrink sleeves.



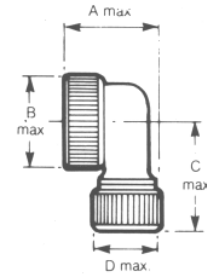
| Shell Size | A max | M Thread |
|------------|-------|-----------------|
| 08 | 0.937 | 1/2 - 28 UNEF |
| | 23.80 | |
| 10 | 0.937 | 5/8 - 24 NEF |
| | 23.80 | |
| 12 | 0.937 | 3/4 - 20 UNEF |
| | 23.80 | |
| 14 | 0.937 | 7/8 - 20 UNEF |
| | 23.80 | |
| 16 | 0.937 | 1 - 20 UNEF |
| | 23.80 | |
| 18 | 0.937 | 1.3/16 - 18 NEF |
| | 23.80 | |
| 20 | 0.937 | 1.3/16 - 18 NEF |
| | 23.80 | |
| 22 | 0.937 | 1.7/16 - 18 NEF |
| | 23.80 | |
| 24 | 0.937 | 1.7/16 - 18 NEF |
| | 23.80 | |

1225



62GB - 1225

90 clamp for screened jacketed cable. These are supplied to separate order only for use with style T shells.



| Shell Size | A max | B max | C max | D max |
|------------|-------|-------|-------|-------|
| 08 | 0.942 | 0.821 | 1.160 | 0.636 |
| | 23.93 | 20.85 | 29.46 | 16.15 |
| 10 | 0.883 | 0.821 | 1.160 | 0.636 |
| | 22.43 | 20.85 | 29.46 | 16.15 |
| 12 | 0.704 | 0.821 | 1.160 | 0.636 |
| | 17.88 | 20.85 | 29.46 | 16.15 |
| 14 | 1.119 | 0.937 | 1.160 | 0.636 |
| | 28.42 | 23.80 | 29.46 | 16.15 |

Cable Accessories

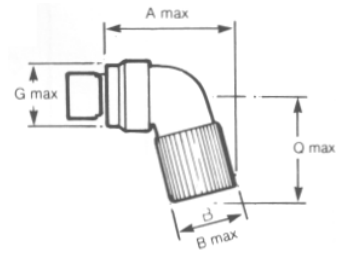
5028



62G B - 5028 - XX - XXS or P

75% Clamp for screened jacketed cable with grommet. Effective sealing is provided over the range of cables covered by DEF 10 (Pattern C) and DEF STAN 61 - 12 part 5 (see table). These are supplied to separate order only and are intended for use with style T shells.

Suffix XX-XXS or P enables grommet to be matched to the insert arrangement.



| Shell Size | length including receptacle | A Max | length including plug | B max | G max | max |
|------------|-----------------------------|-------|-----------------------|-------|-------|-------|
| 08 | 2.416 | - | 2.375 | 0.676 | 0.775 | 1.750 |
| | 61.37 | | 60.24 | 17.17 | 19.68 | 44.45 |
| 10 | 2.573 | - | 2.532 | 0.676 | 0.902 | 1.875 |
| | 65.35 | | 64.39 | 17.17 | 22.91 | 47.63 |
| 12 | 2.666 | - | 2.625 | 0.812 | 1.030 | 2.125 |
| | 67.72 | | 66.68 | 20.62 | 26.16 | 53.98 |
| 14 | 2.760 | - | 2.719 | 0.926 | 1.157 | 2.125 |
| | 70.10 | | 69.04 | 23.52 | 29.39 | 53.98 |
| 16 | 2.790 | - | 2.750 | 1.051 | 1.284 | 2.062 |
| | 70.87 | | 69.80 | 26.70 | 32.61 | 52.38 |
| 18 | - | - | - | - | - | - |
| 20 | 3.312 | - | 3.250 | 1.280 | 1.539 | 2.062 |
| | 84.13 | | 82.55 | 32.51 | 39.09 | 52.38 |
| 22 | - | - | - | - | - | - |
| 24 | 3.500 | - | 3.375 | 1.620 | 1.783 | 2.187 |
| | 88.90 | | 85.73 | 41.15 | 45.29 | 55.55 |

