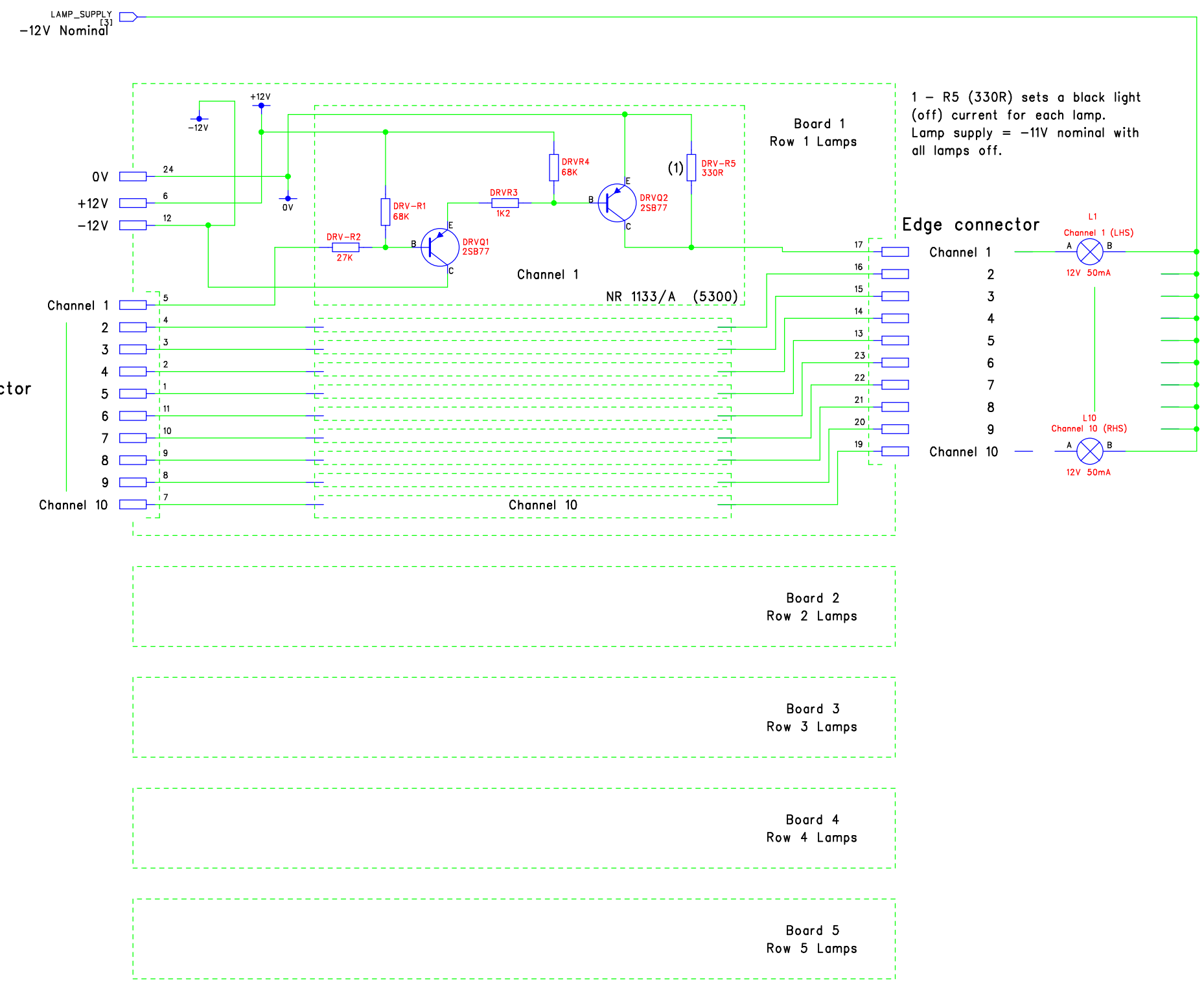
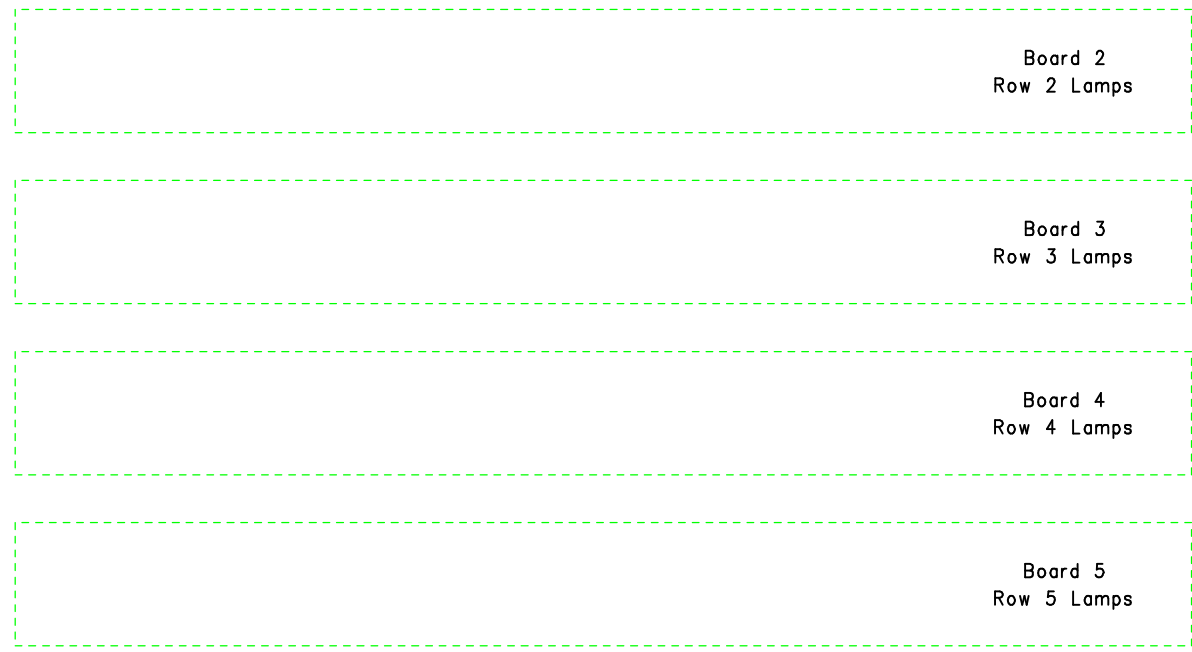
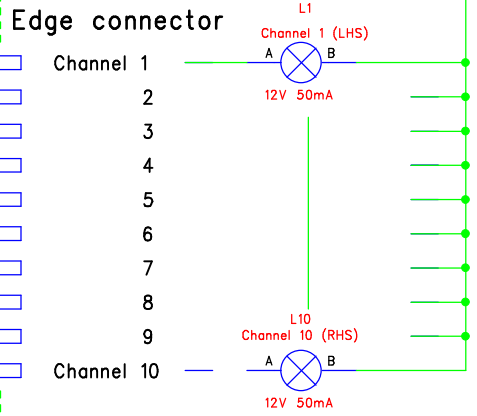


RevNo	Revision note	Date	By	Checked
-	-	-	-	-



1 - R5 (330R) sets a black light (off) current for each lamp.
Lamp supply = -11V nominal with all lamps off.



Notes:



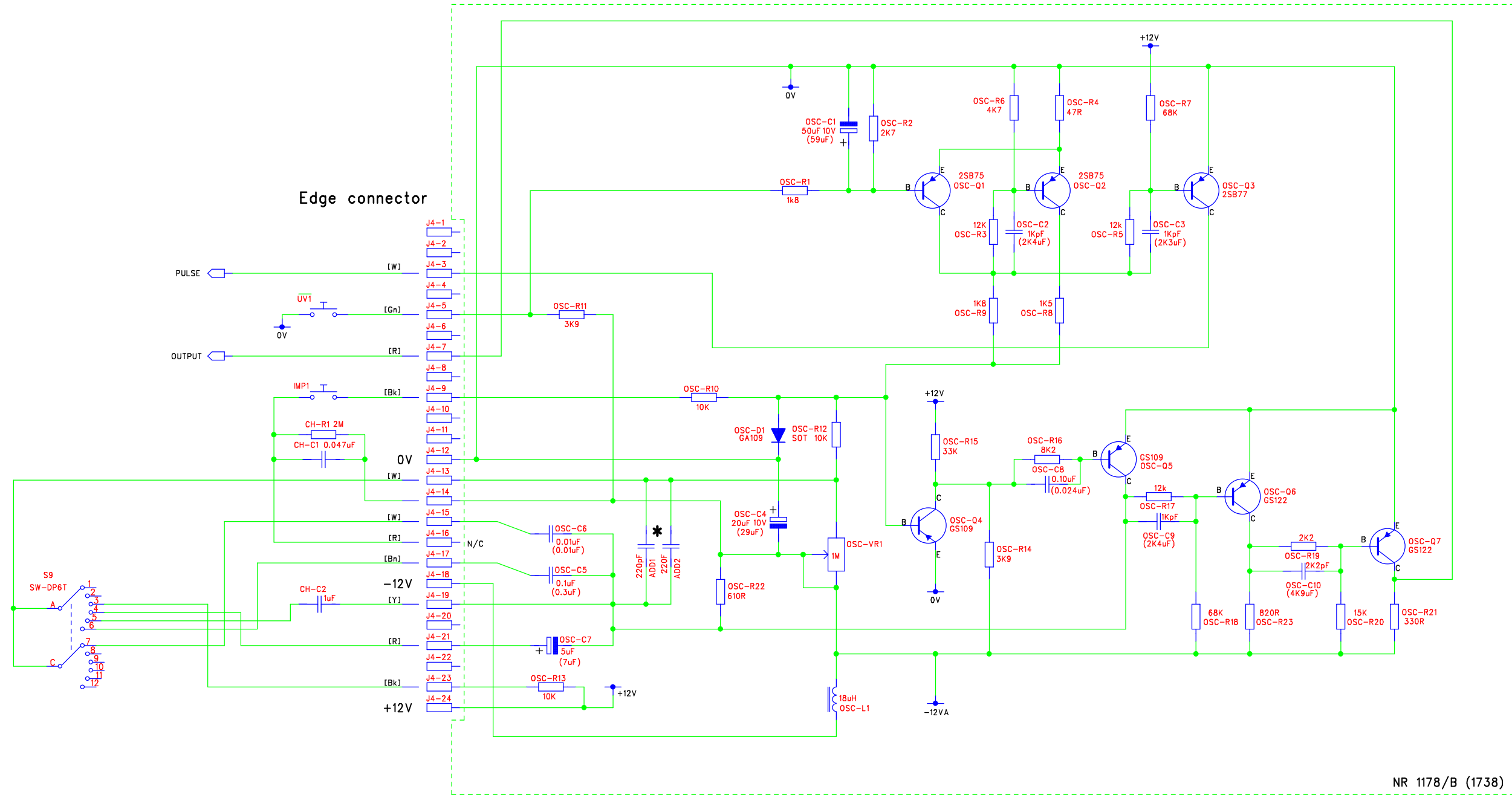
DM Associates
33, Northbrook Road
Aldershot, Hampshire. GU11 3HE
Email: mike@soemtron.org
www.soemtron.org

Pcb Dwg # =	
Name	Date
Drawn MD Hatch	23/2/2022
Checked -	-

Scale	Nts
Sheet 1	
Next Sheet 2	
Drawing Number	

Title	Söemtron 8601a Prüfergerät
	Serial # 2000
	Signal Sensor / Lamp Driver
Prufgerät 8601a	A2 Issue A

RevNo	Revision note	Date	By	Checked
-	-	-	-	-



NR 1178/B (1738)

Capacitor values in brackets are actual values measured on a Wayne Kerr L-C-R bridge. Range frequencies are measured on a Racal Dana 9522 frequency-period counter, and Tektronix TDS380 oscilloscope. All ranges were incorrect and have had their associated capacitors replaced / corrected.

Range -	Measured -	Corrected -
25 kHz	55.3 kHz	24.98 kHz (by adding capacitors ADD1 & ADD2)
Impulse	10mS -VE pulse	
2 Hz	1.8 Hz	2.56 Hz
10 Hz	13.9 Hz	10 Hz
100 Hz	19.9 Hz	100 Hz
1k Hz	16.3 Hz	1.01 kHz

Potentiometer OSC-VR1 had a broken wiper mechanism and has been replaced. It appears to mainly set the Mark-Space ratio of the 25kHz signal but does affect the overall frequency to some extent. The 25kHz signal was twice what it should have been. After extensive checks was corrected by adding caps ADD1 & ADD2)

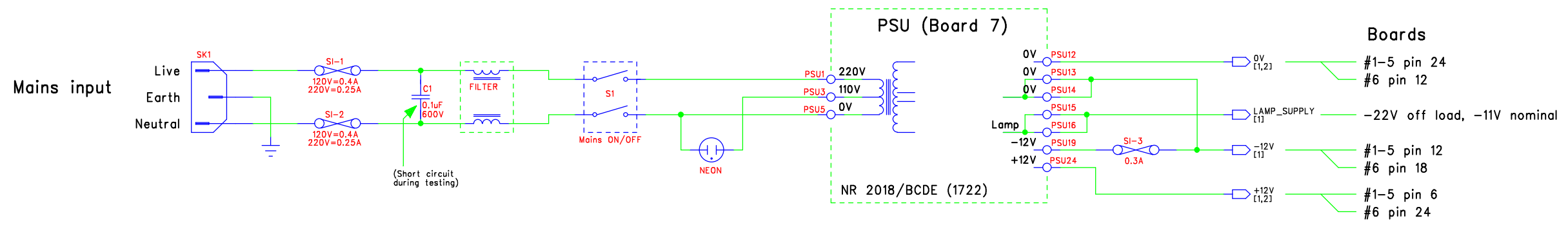


DM Associates
 33, Northbrook Road
 Aldershot, Hampshire. GU11 3HE
 Email: mike@soemtron.org
 www.soemtron.org

Pcb Dwg # =		Scale	Nts	Title	
Drawn	Name	Date	Sheet	Soemtron 8601a Prüfergerät	
Checked	MD Hatch	24/02/2022	Next Sheet	Serial # 2000	
			Drawing Number	Oscillator - Impulse	
				Prüfergerät 8601a	A2 Issue A

Notes:

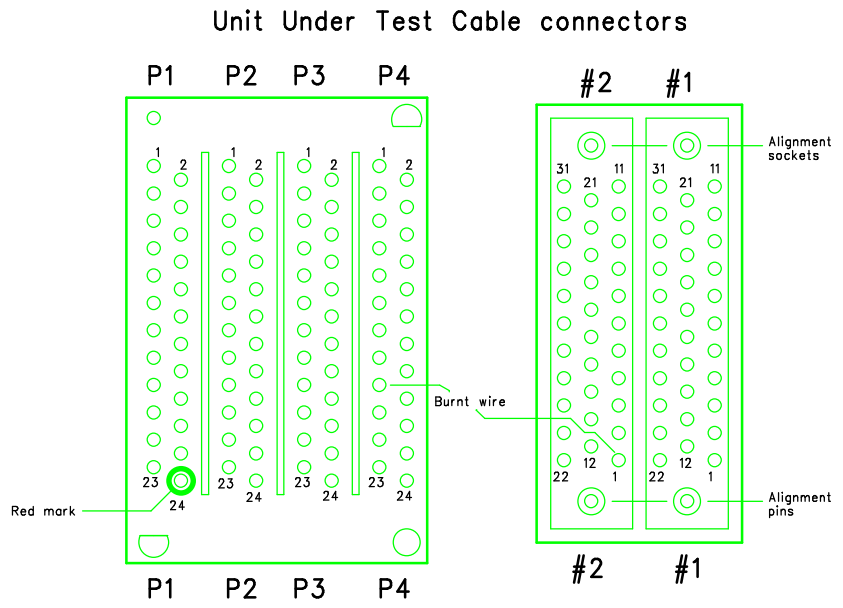
RevNo	Revision note	Date	By	Checked
-	-	-	-	-



Unit Test Cable Connections						
96 pin -	P1	P2	P3	P4		
32 pin -	1/2	1/2	1/2	1/2		
1	x	1 1/27	1 x	1 1/23		
2	1/19	2 1/26	2 2/20	2 x		
3	2/11	3 2/30	3 1/16	3 1/26		
4	2/21	4 2/29	4 x	4		
5	2/31	5 2/19	5 1/12	5		
6	1/1	6 x	6 x	6		
7	2/4	7 1/4	7 x	7		
8	1/11	8 2/27	8 1/13	8		
9	2/23	9 2/17	9 1/3	9		
10	x	10 1/14	10 x	10		
11	2/5	11 2/32	11 x	11		
12	1/10	12 x	12 2/25	12		
13	2/9	13 1/20	13 x	13		
14	2/14	14 2/18	14 2/15	14		
15	2/13	15 2/28	15 x	15 x		
16	2/22	16 2/3	16	16 1/29		
17	2/12	17 1/15	17 x	17 2/1		
18	2/2	18 1/5	18 2/26	18 x		
19	x	19 1/17	19 2/16	19 x		
20	2/7	20 2/24	20 x	20 x		
21	x	21 1/18	21 x	21 1/32		
22	2/6	22 1/8	22 2/8	22 x		
23	1/6	23 x	23 x	23 x		
24	x	24 x	24 2/10	24 1/7		

Display Matrix to Test Connectors									
Row	32 pin	Row	32 pin	Row	32 pin	Row	32 pin	Row	32 pin
1	2/2	1	2/12	1	2/22	1	2/32	1	1/9
2	2/3	2	2/13	2	2/23	2	1/1	2	1/10
3	2/4	3	2/14	3	2/24	3	1/19	3	1/11
4	2/5	4	2/15	4	2/25	4	1/2	4	1/12
5	2/6	5	2/16	5	2/26	5	1/3	5	1/13
6	2/7	6	2/17	6	2/27	6	1/4	6	1/14
7	2/8	7	2/18	7	2/28	7	1/5	7	1/15
8	2/9	8	2/19	8	2/29	8	1/6	8	1/16
9	Note 2	9	2/20	9	2/30	9	1/7	9	1/17
10	2/11	10	2/21	10	2/31	10	1/8	10	1/18

Notes
 1) #2 pin 1 = Common 0V
 2) With switch QN-L. QN-0 = 0V (no indicator)



Prüfgerät end Face view Unknown connector type
 Device test end Face view 2x Std 32 pin plug

- Notes
- 1) Device end - #2 pin 1 wire burnt
 - 2) Device end - #1 pins 20, 21, 22, 25, 28, 30, 31 unused
 - 3) Device end - #1 is lower test connector
 - 4) Device end - #2 is upper test connector
 - 5) Prüfgerät end - P1 pin 24 has red ident
 - 6) Prüfgerät end - P4 pin 17 wire burnt



DM Associates
 33, Northbrook Road
 Aldershot, Hampshire. GU11 3HE
 Email: mike@soemtron.org
 www.soemtron.org

Pcb Dwg # =		Scale	Nts	Title	
Drawn	Name MD Hatch	Sheet	3	Soemtron 8601a Prüfgerät	
Checked	Date 12/4/2022	Next Sheet	-	Serial # 2000	
		Drawing Number	Soemtron 220	Supplies and Cables, Display Matrix	
				A2 Issue	A