

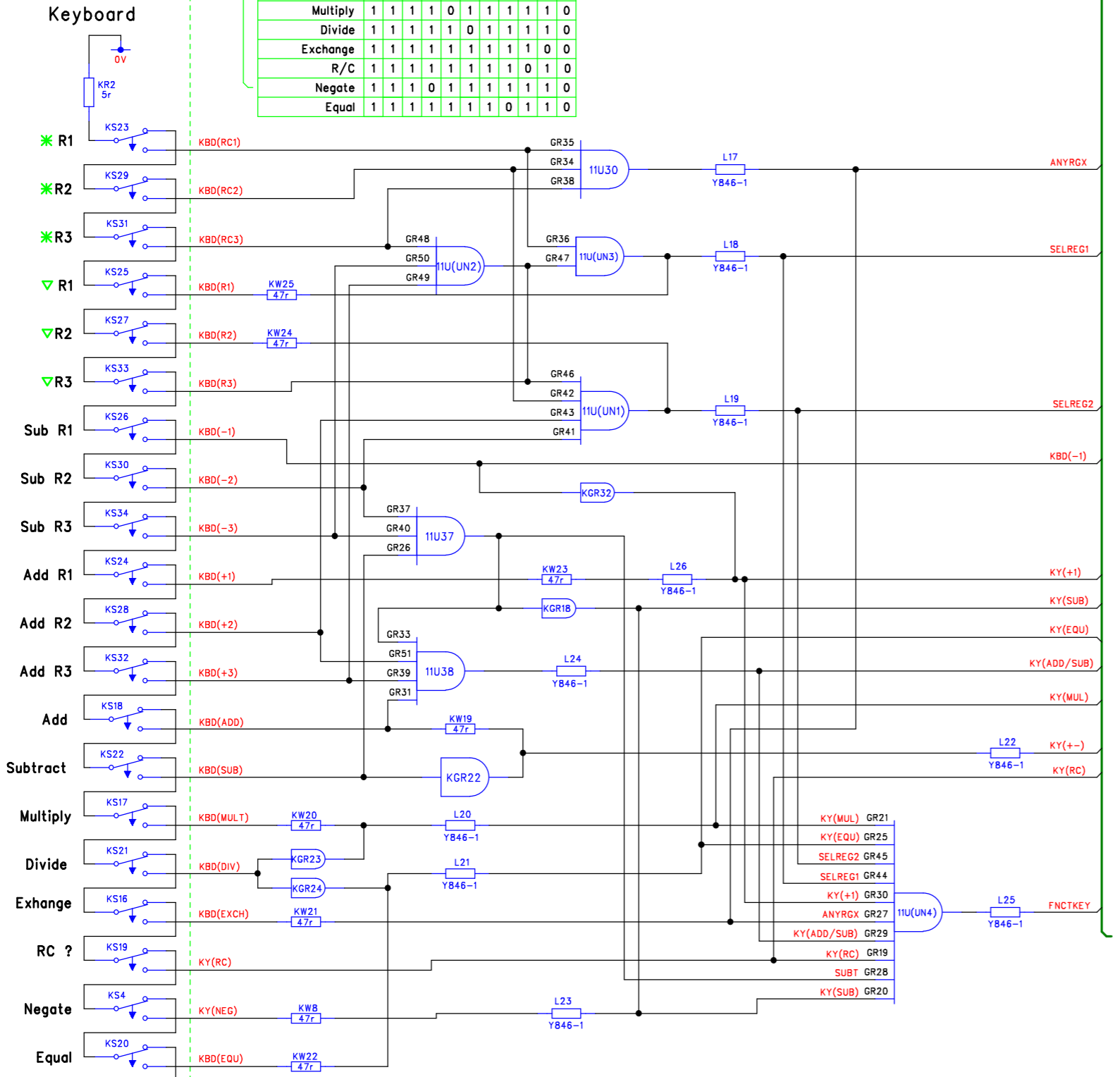
ENCODED-NUMBER [11,15]
 ENCODED-FUNCTION [3,5,6,10,11,12,15]

RevNo	Revision note	Date	By	Checked
-	-	-	-	-

Signal	SELREG1	SELREG2	KY(ADD/SUB)	KY(SUB)	KY(MUL)	KY(DIV)	KY(+)	KY(EQU)	KY(RC)	ANYRGX	FUNCTKEY
Any key Reg 1	0	1	1	1	1	1	1	1	1	1	0
Any key Reg 2	1	0	1	1	1	1	1	1	1	1	0
Any key Reg 3	0	0	1	1	1	1	1	1	1	1	0
Any Reg + Key	x	x	0	1	1	1	1	1	1	1	0
Any Reg - Key	x	x	1	0	1	1	1	1	1	1	0
Any Reg *Key	x	x	1	1	1	1	1	1	1	1	0
Any Reg /Key	x	x	1	1	1	1	1	1	1	1	0
Add	1	1	0	1	1	1	0	1	1	1	0
Subtract	1	1	0	0	1	1	0	1	1	1	0
Multiply	1	1	1	0	1	1	1	1	1	1	0
Divide	1	1	1	1	0	1	1	1	1	1	0
Exchange	1	1	1	1	1	1	1	1	0	1	0
R/C	1	1	1	1	1	1	1	0	1	0	0
Negate	1	1	1	0	1	1	1	1	1	1	0
Equal	1	1	1	1	1	1	1	0	1	1	0

0 = Key pressed (= 0V)
 1 / x = No key (-12V)

Keys are ordered for this diagram, not as they are wired, see circuit.

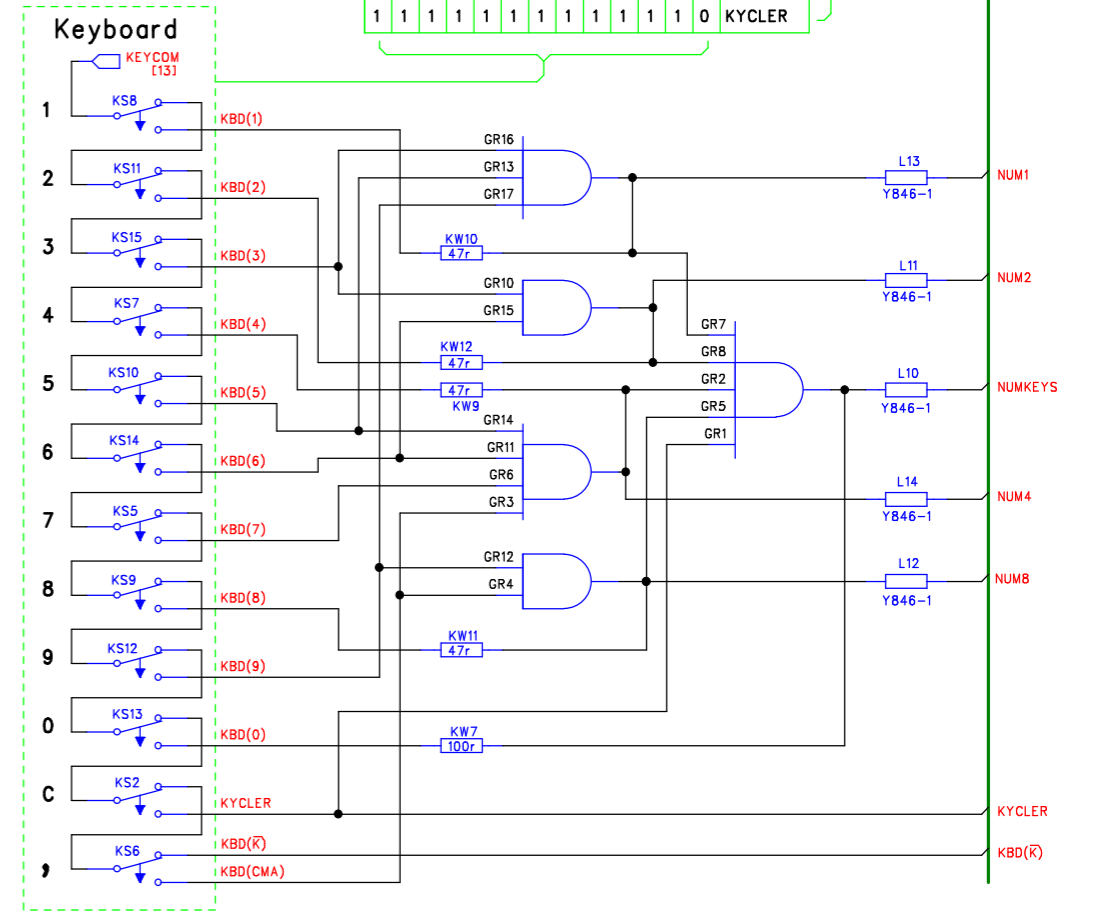


KEYCOM [13]

0 = Key pressed (= 0V)
 1 = no key (-12V)

Keys are ordered for this diagram, not as they are wired, see circuit.

X	0	1	2	3	4	5	6	7	8	9	Comma	Clear	Key Code
1	1	0	1	0	1	0	1	0	1	0	1	1	NUM1
1	1	1	0	0	1	1	0	0	1	1	1	1	NUM2
1	1	1	1	1	0	0	0	0	1	1	0	1	NUM4
1	1	1	1	1	1	1	1	1	0	0	0	1	NUM8
1	0	0	0	0	0	0	0	0	0	0	0	0	NUMKEYS
1	1	1	1	1	1	1	1	1	1	1	0	0	KYCCLER



Next is K(UN134)
 Next is N(UN45)
 Next is D(UN15)
 Next is 11U(UN5)

Negative logic referenced to 0V - Logical 1 = -12v, logical 0 = 0v



DM Associates
 33, Northbrook Road,
 Aldershot, Hampshire, GU11 3HE
 Email: mike@soemtron.org
 www.soemtron.org

Pcb Dwg # =		Scale	Nts	Title	
Drawn	Name	Date	Sheet	Soemtron ETR 222 Calculator	
Checked	MD Hatch	16/03/2021	Next Sheet	#13 - Keyboard & Encoding	
			Drawing Number	Soemtron 222 Logic	
				A2 Issue	A