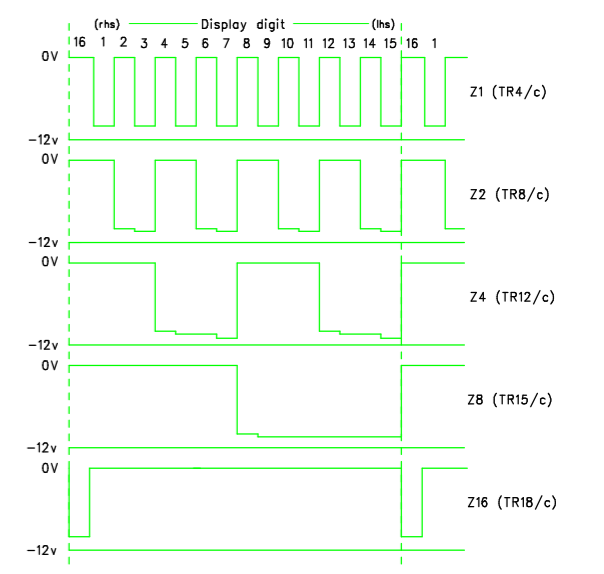
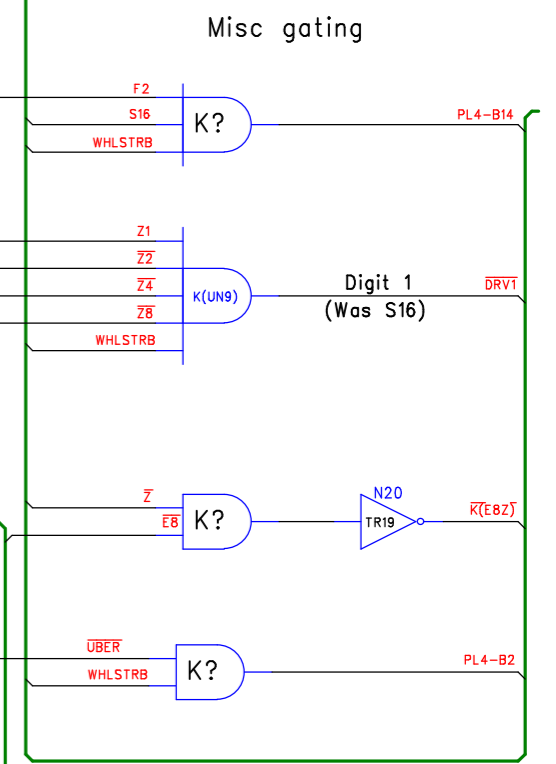
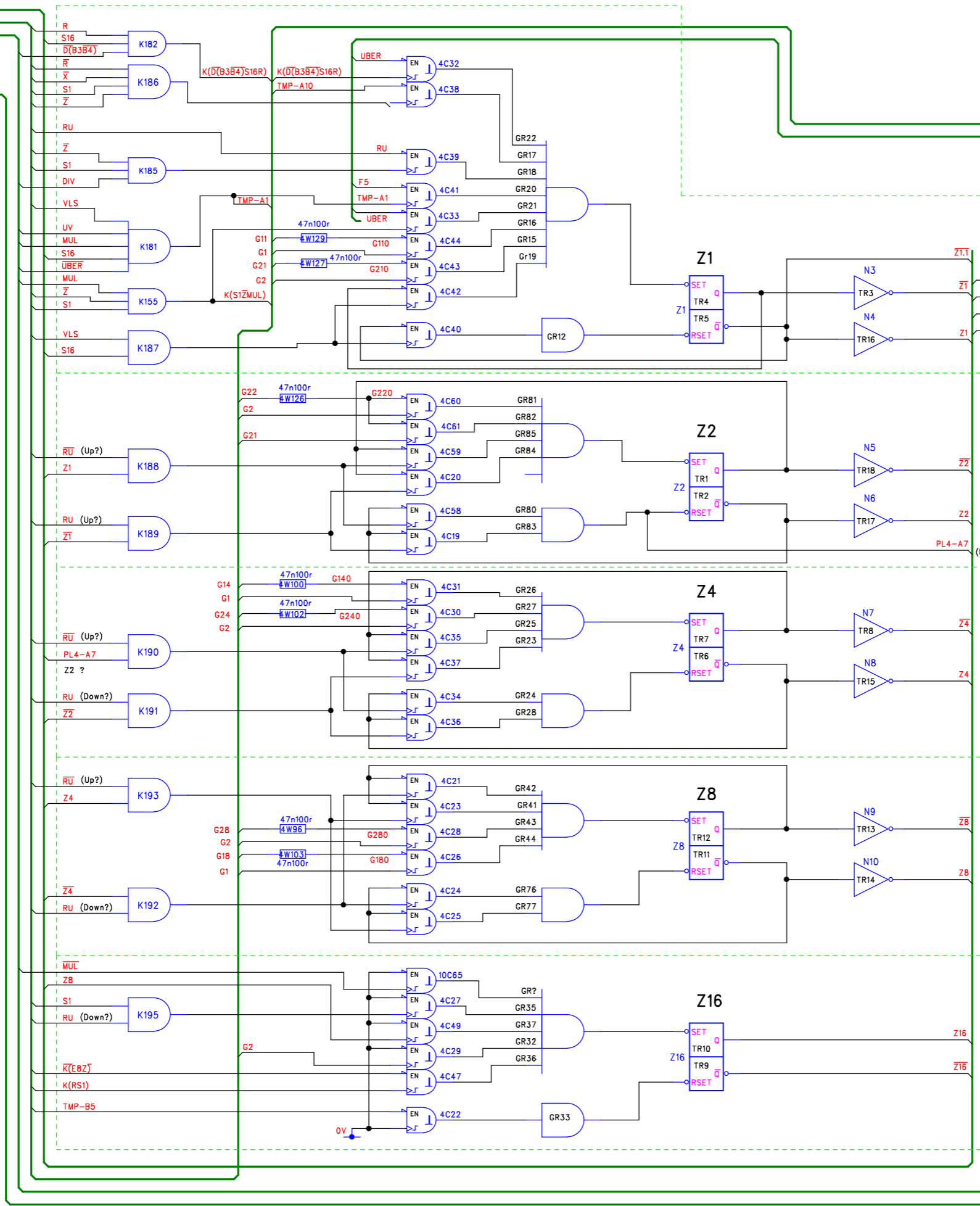


RevNo	Revision note	Date	By	Checked

Z-COUNTER [2,3,5,6]
CONTROL [1,2,3,5,6,7,8,9,10,11,12,14,15,16]
FUNCTIONS [2,3,5,6,7,8,9,10,11,12,15]
E-BUSS [7,8]

Where does S16 originate?
N87 Board 5



Display only timing diagram

Negative logic referenced to 0V - Logical 1 = -12v, logical 0 = 0v



DM Associates
33, Northbrook Road
Aldershot, Hampshire. GU11 3HE
Email: mike@soemtron.org
www.soemtron.org

Pcb Dwg # =

	Name	Date
Drawn	MD Hatch	11/02/2021
Checked	-	-

Scale	Nts
Sheet	4
Next Sheet	5
Drawing Number	Soemtron 222 Logic

Title	Soemtron ETR 220 Calculator #4 - Z-Counter Z Counter (Display)
Issue	A2

© 2021 Mike Hatch. (www.soemtron.org)