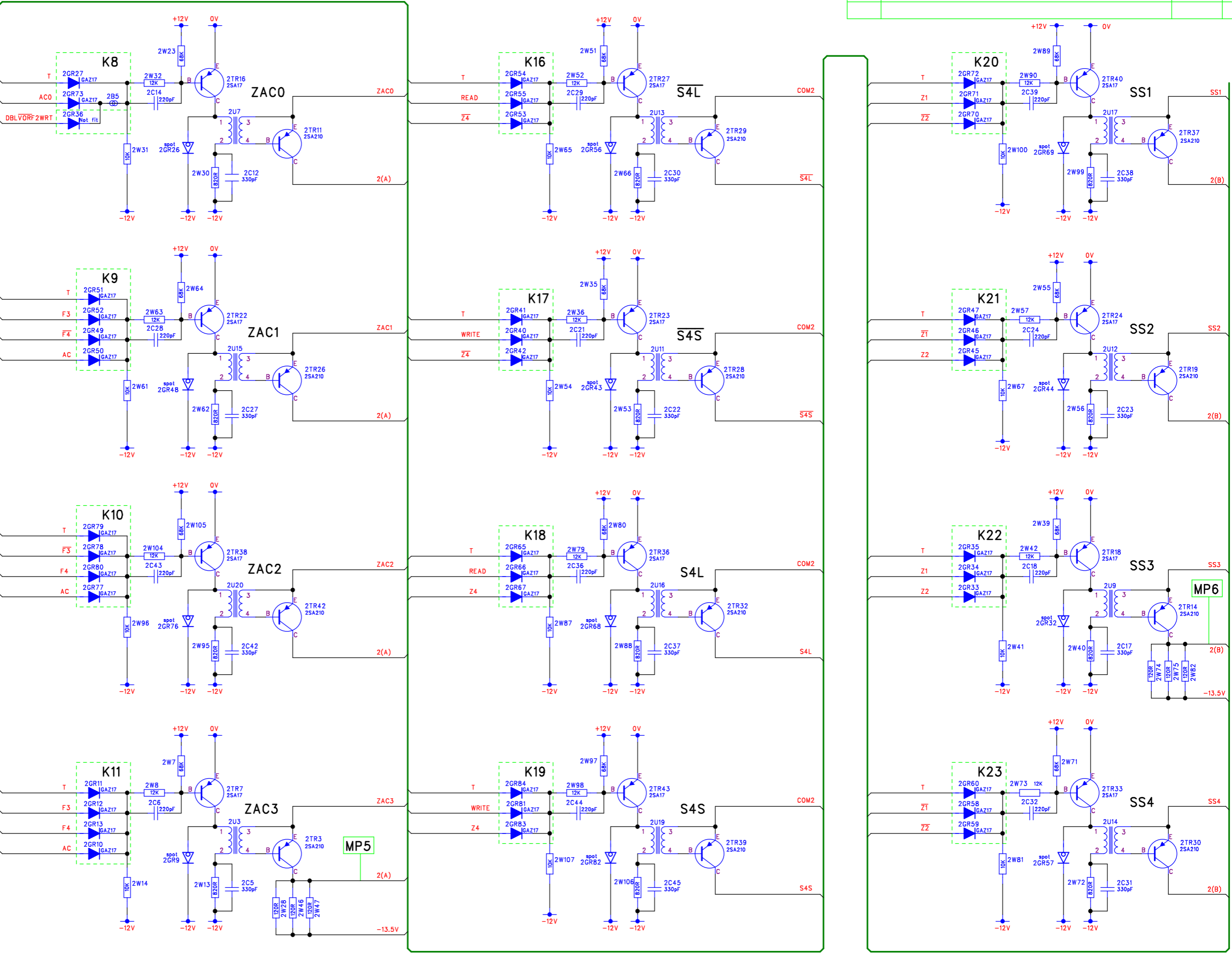


Comp side
Solder side - 3034- 220-317-002-d
Date coded - 40/68

RevNo	Revision note	Date	By	Checked
-	-	-	-	-

- K(MS)
- MDS
- Z8L
- Z8S
- Z8L
- S4S
- S4L
- S4L
- N/c
- S4S
- F4
- Z4
- F3
- F3
- READ
- (Usp) -13.5V
- (Usp) -13.5V
- Z8
- ZMD
- (Usp) -13.5V
- ZAC3
- ZAC0
- ZAC1
- WRITE
- ZMR
- ZAC2
- F4
- N/c
- Z8
- Z4
- AC
- AC0
- MRS
- N/c
- N/c
- S1
- COM2
- COM2
- COM2
- Z8S
- SS3
- T
- DBLVORF2WRT
- BL8
- BL1
- SS2
- N/c
- SS4
- SS1
- N/c
- N/c
- N/c
- C8
- Z1
- N/c
- C1
- Z2
- Z1
- Z2
- 0V
- +12V(+Up)
- 12V(-Un)



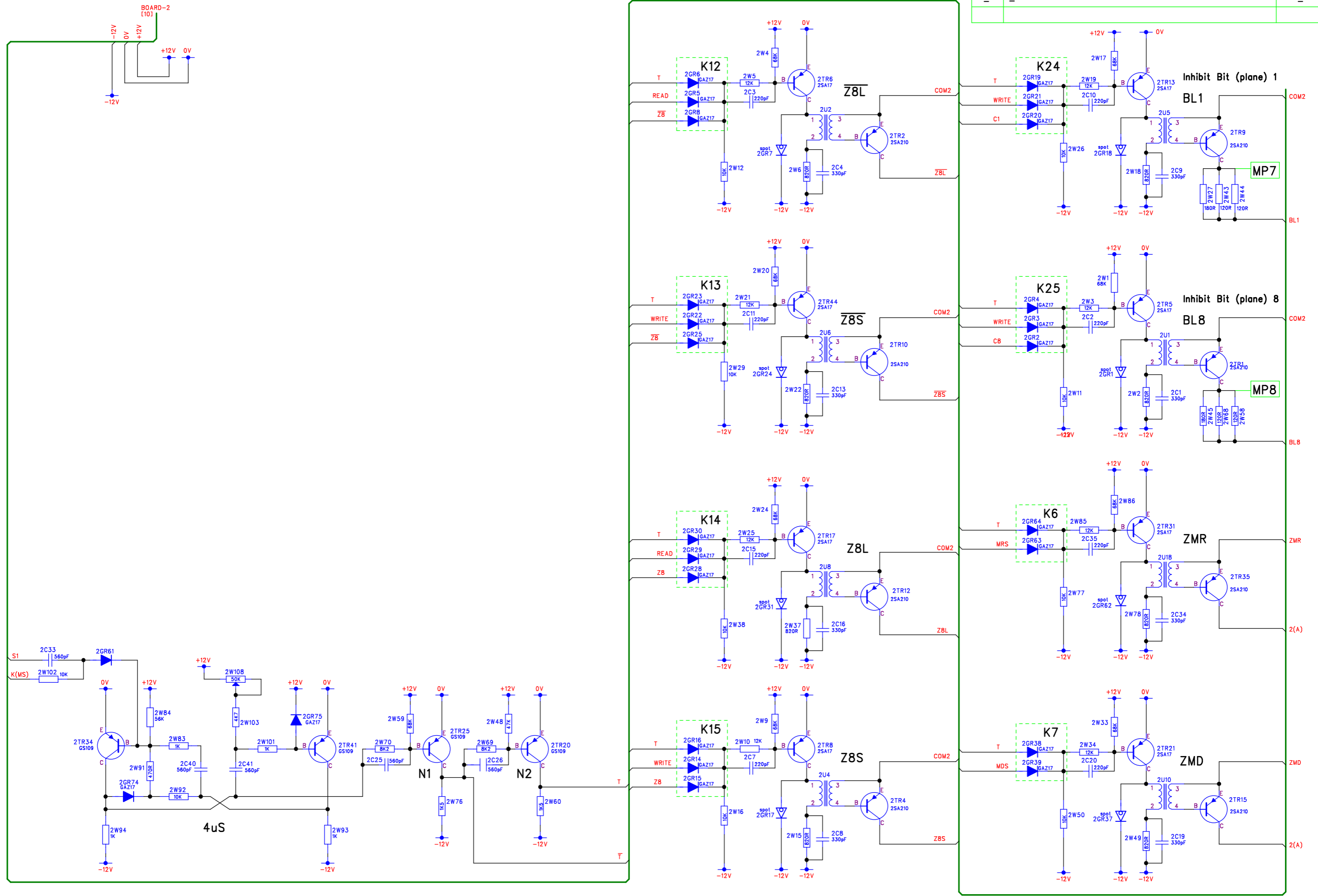
BOARD-2 [11]



DM Associates
33, Northbrook Road
Aldershot, Hampshire. GU11 3HE
Email: mike@soemtron.org
www.soemtron.org

Pcb Dwg # =		Scale	Nts	Title Soemtron ETR 222 Calculator Transcribed Misc Circuits Board 2/1 - Core Drivers
Drawn	Name MD Hatch	Date 15/8/2017	Sheet 10	
Checked			Next Sheet 11	Drawing Number Soemtron 222
				A2 Issue A

These diagrams are referenced to 0V - Logical 1 = +12V, logical 0 = 0V



These diagrams are referenced to 0V - Logical 1 = -12V, logical 0 = 0V



DM Associates
 33, Northbrook Road
 Aldershot, Hampshire. GU11 3HE
 Email: mike@soemtron.org
 www.soemtron.org

Pcb Dwg # =

Name	Date
MD Hatch	15/8/2017
Checked	-

Scale	Nts
Sheet	11
Next Sheet	12
Drawing Number	Soemtron 222

Title	Soemtron ETR 222 Calculator Transcribed Misc Circuits Board 2/2 - Core Drivers
Issue	A2

© 2017 Mike Hatch. (www.soemtron.org)