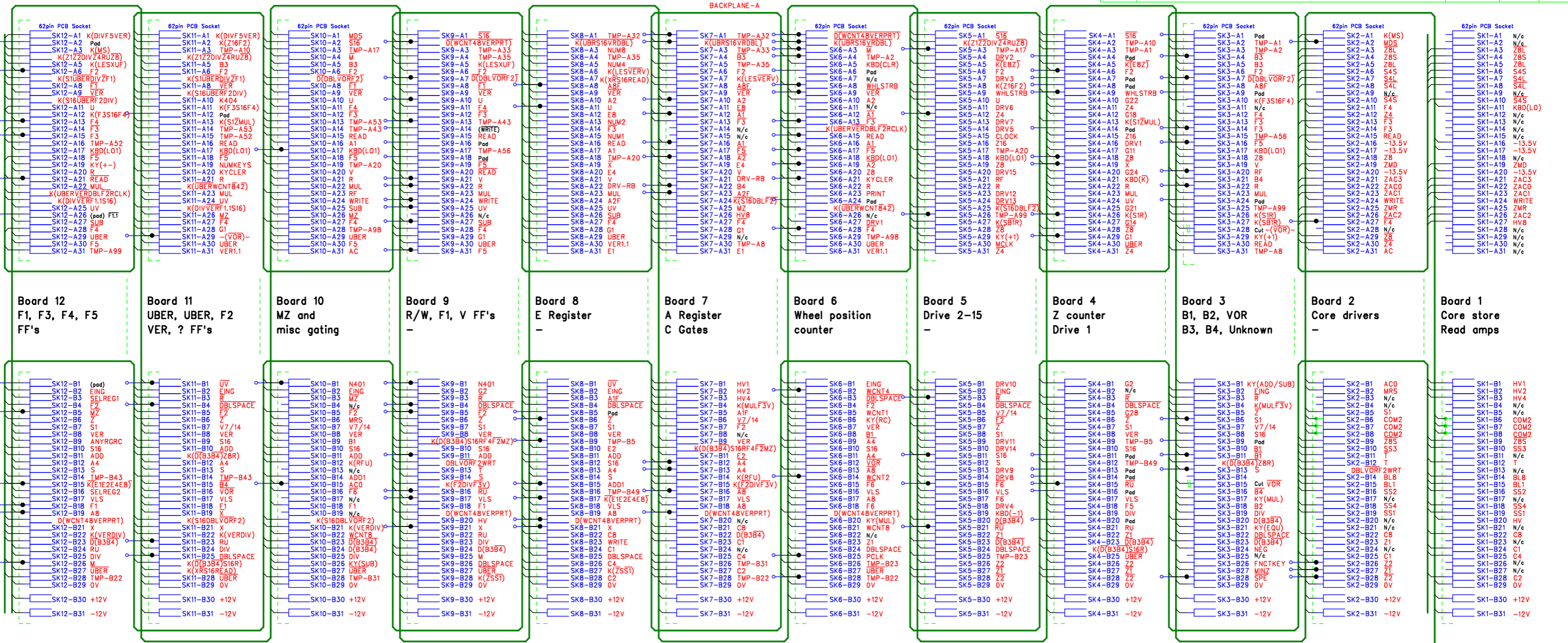
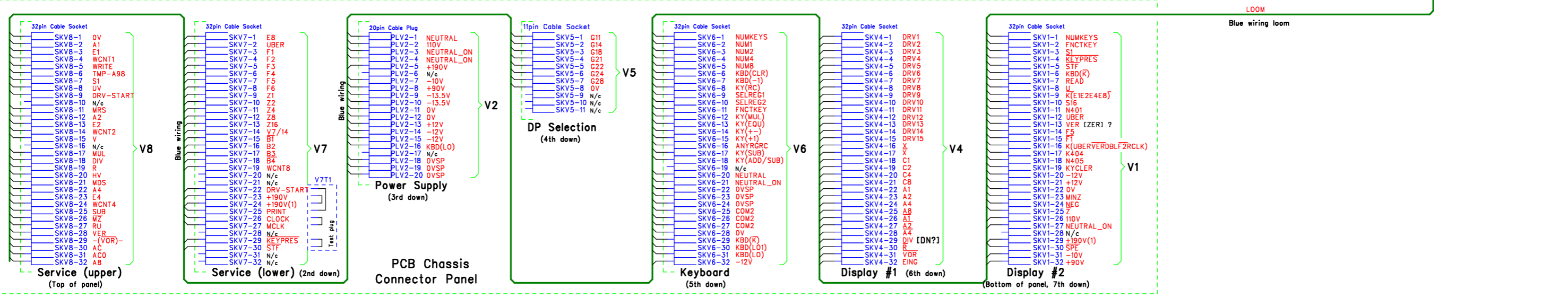


Backplane PCB



SK12 is at PSU end

SK1 is furthest from the PSU



DM Associates
33, Northbrook Road
Aldershot, Hampshire. GU11 3HE
Email: mike@soemtron.org
www.soemtron.org

Pcb Dwg # =	Name	Date	Scale	Nts	Title
Drawn	MD Hatch	15/8/2017	Sheet	33	Soemtron ETR 222 Calculator Card Rack Backplane Circuit Diagram - Preliminary
Checked	-	-	Next Sheet	-	Circuit Diagram - Preliminary
			Drawing Number	Soemtron 222	A2 Issue A

These diagrams are referenced to 0V - Logical 1 = -12V, logical 0 = 0V