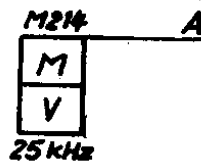
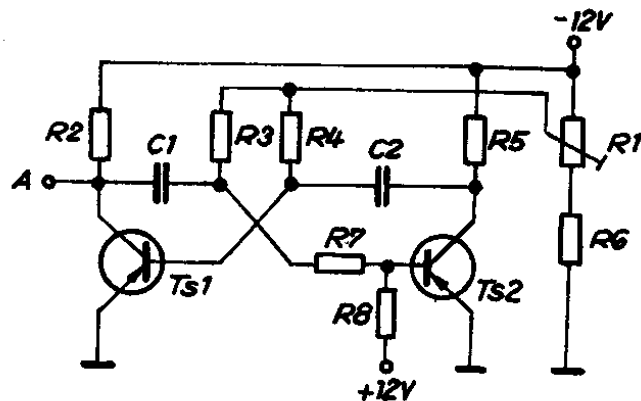


Multivibrator M214

Symbol:



Stromlaufplan:



Bestückung:

Ts1	SB 20/3	$\bar{\beta}=45 \dots 88$	
Ts2	SB 20/3	$\bar{\beta}=45 \dots 88$	
C1	2200/10/63		
C2	2200/10/63		
R1	S 1k		
R2	1k Ω	0,05W	10%
R3	10k Ω	0,05W	10%
R4	10k Ω	0,05W	10%
R5	1,5k Ω	0,125W	10%
R6	1k Ω	0,05W	10%
R7	470 Ω	0,05W	10%
R8	220k Ω	0,05W	10%